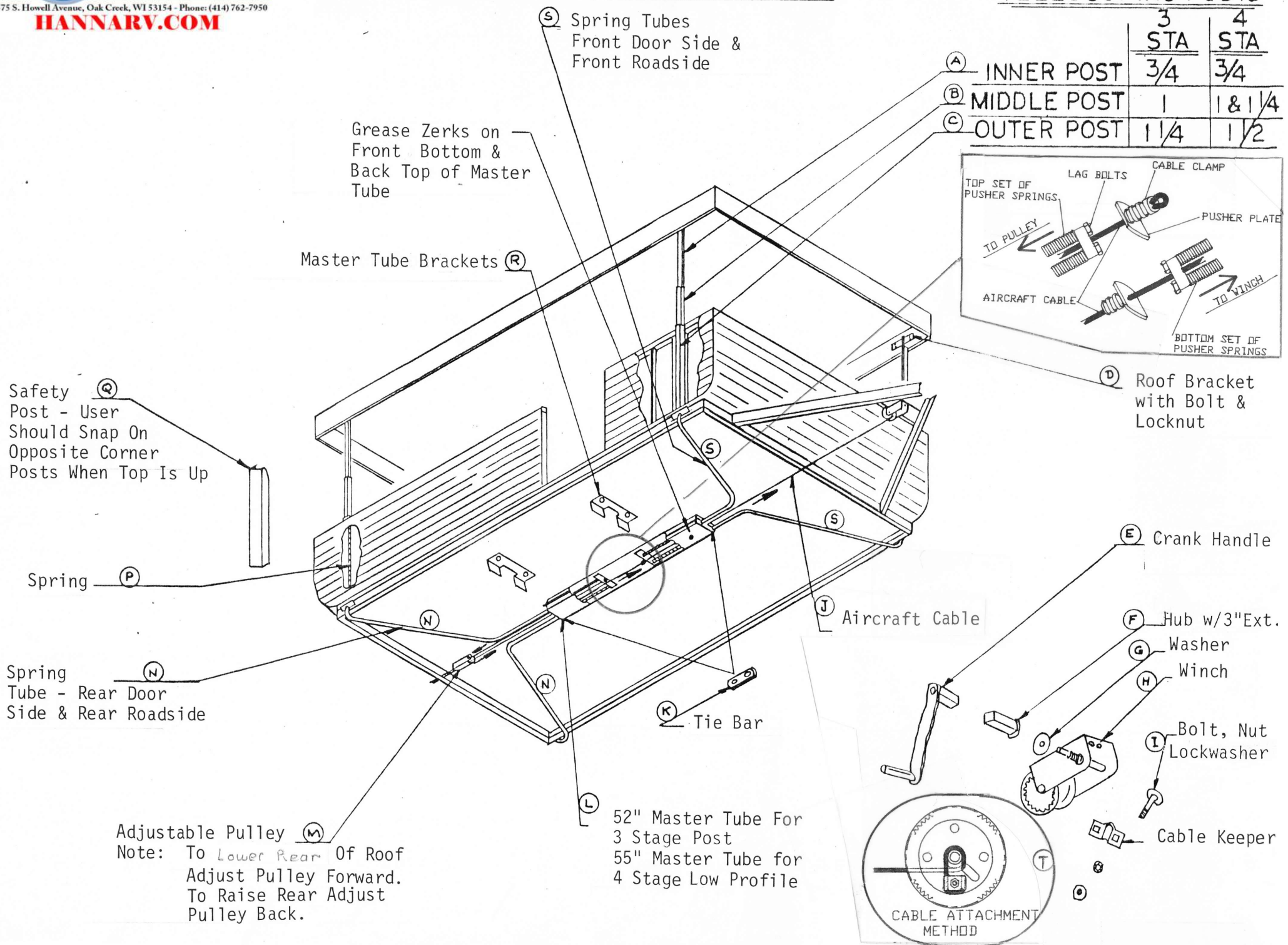


1473 SERIES CRANK UP LIFT SYSTEM

TELESCOPING POSTS

	3 STA	4 STA
(A) INNER POST	3/4	3/4
(B) MIDDLE POST	1	1 & 1/4
(C) OUTER POST	1 1/4	1 1/2



(S) Spring Tubes
Front Door Side &
Front Roadside

Grease Zerks on
Front Bottom &
Back Top of Master
Tube

Master Tube Brackets (R)

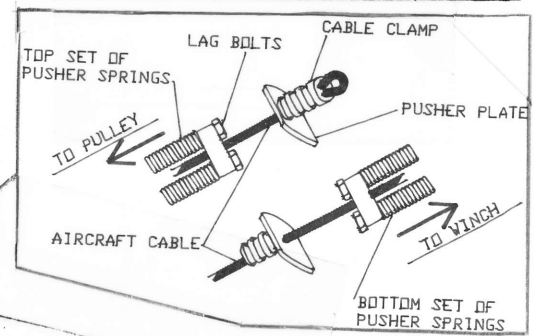
Safety Post (Q) - User
Should Snap On
Opposite Corner
Posts When Top Is Up

Spring (P)

Spring Tube - Rear Door
Side & Rear Roadside (N)

Adjustable Pulley (M)
Note: To Lower Rear Of Roof
Adjust Pulley Forward.
To Raise Rear Adjust
Pulley Back.

52" Master Tube For
3 Stage Post
55" Master Tube for
4 Stage Low Profile



(D) Roof Bracket
with Bolt &
Locknut

(E) Crank Handle

(J) Aircraft Cable

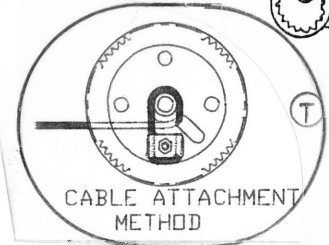
(F) Hub w/3"Ext.

(G) Washer

(H) Winch

(I) Bolt, Nut
Lockwasher

(K) Cable Keeper



CABLE ATTACHMENT
METHOD