

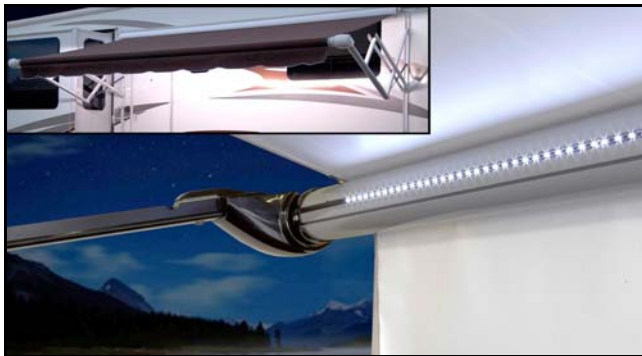


THIS PUBLICATION COVERS THE FOLLOWING MODELS:

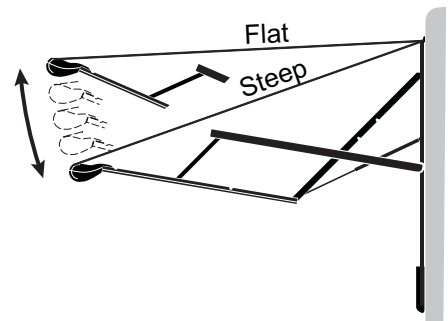
RV

- Universal Eclipse
- Eclipse XL
- Universal Eclipse w/ Battery
- Eclipse w/ Windsmart Electronics
- Eclipse w/ Direct Response Electronics

The information contained in the publication applies to all models listed. Details and procedures unique to a specific model are labeled appropriately.



LED Lighting



Adjustable Pitch

E0069

TABLE OF CONTENTS

Product Overview	1
Canopy Replacement	2
For Universal Eclipse.....	2
For Eclipse XL.....	4
Installing the Tractioners.....	6
Motor Replacement	7
Replacing the Motor - Awning Extended.....	7
Replacing the Motor –Awning Closed.....	9
Idler/Spring Replacement	11
Replacing the Gas Shock	12
Replacing the Arm Rollers	13
Diagnostics	14
Standard Electrical.....	15
Auto Retract Systems.....	18
Common Test Procedures.....	21
Wiring Diagram - Single Switch Prior to July 2010.....	23
Wiring Diagram - Single Switch - July 2010 and on.....	23
Wiring Diagram - Multiple Switch Prior to July 2010.....	24
Wiring Diagram - Multiple Switch After July 2010.....	24
Wiring Diagram - WindSmart.....	25
Wiring Diagram - Direct Response prior to July 2010.....	26
Wiring Diagram - Direct Response After July 2010.....	28
Wiring Diagram - Direct Response w/ Pre Wired Harness.....	30
LED Lighting	32
Switch Installation.....	32
Replacing the LED Strip.....	33
Canopy Replacement with LED Lighting.....	34
Attaching the Harness to a Metal Wrap.....	34
Canopy Harness Replacement.....	35
Standard Service Procedures	36
Programming the Remote Receiver.....	36
Battery Replacement.....	37
Charging the Battery.....	37
Standard Maintenance	38
Fabric Care.....	38
Arm Care.....	38
Motor Maintenance.....	38
Part Number Listing	39
Part Number/Serial Number Location.....	39
Arms Part Number Configuration.....	39
Roller Part Number Configuration.....	39
Illustrated Parts List.....	40
Arms.....	40
Electronics.....	42

PROPRIETARY STATEMENT

The Eclipse Patio Awning is a product of Carefree of Colorado, located in Broomfield, Colorado, USA. The information contained in or disclosed in this document is considered proprietary to Carefree of Colorado. Every effort has been made to ensure that the information presented in the document is accurate and complete. However, Carefree of Colorado assumes no liability for errors or for any damages that result from the use of this document.

The information contained in this manual pertains to the current configuration of the models listed on the title page. Earlier model configurations may differ from the information given. Carefree of Colorado reserves the right to cancel, change, alter or add any parts and assemblies, described in this manual, without prior notice.

Carefree of Colorado agrees to allow the reproduction of this document for use with Carefree of Colorado products only. Any other reproduction or translation of this document in whole or part is strictly prohibited without prior written approval from Carefree of Colorado.

SAFETY INFORMATION

WARNING

A WARNING INDICATES A POTENTIALLY HAZARDOUS SITUATION WHICH, IF NOT AVOIDED, COULD RESULT IN DEATH OR SERIOUS INJURY AND/OR MAJOR PROPERTY DAMAGE.

CAUTION

A CAUTION INDICATES A POTENTIALLY HAZARDOUS SITUATION THAT MAY CAUSE MINOR TO MODERATE PERSONAL INJURY AND/OR PROPERTY DAMAGE. IT MAY ALSO BE USED TO ALERT AGAINST UNSAFE PRACTICES.

NOTE: A note indicates further information about a product, part, or step.

Tip: A tip provides helpful suggestions.

Safety Notes:

- Always disconnect battery or power source before working on or around the electrical system.
- Always wear appropriate safety equipment (i.e. goggles).
- Always use appropriate lifting devices and/or helpers when lifting or holding heavy objects.
- When using fasteners, use care to not over tighten. Soft materials such as fiberglass and aluminum can be "stripped out" and lose the ability to grip and hold.

Reference Publications located @ www.carefreeofcolorado.com:

- 052547-001 Eclipse Arms and Canopy After Market Installation Manual**
- 052547-021 Eclipse Arms and Canopy OEM Installation Manual**
- 052547-031 Eclipse Arms and Canopy OEM Installation Manual - Winnebago**
- 052547-101 Eclipse Arms Upgrade for One-Touch**
- 052568-201 Eclipse Owner's Manual**
- 052547-211 Eclipse Owner's Manual - Winnebago**
- 052547-301 Eclipse Service Manual**
- 052987-002 WindSmart Installation & Operation Manual**
- 052526-001 Direct Response Installation Manual**

PRODUCT OVERVIEW

The Eclipse Patio Awning uses unique “scissor” style arms that do not require vertical ground support. The arms provide easy to use pitch adjustment—simply push together the pins on the arms, snap into the hole set desired, and the pitch is set! The pitch can be left in any position and the Eclipse will roll up completely! When the awning is rolled back out, it rolls out to the pitch setting previously set.

The awning rollbar and arms are made from light weight, no-rust aluminum. The awning fabric is offered in either heavy weight vinyl or the Sunbrella® fabric, one of the most durable, strongest, weather-resistant and fade resistant fabrics on the market.

Two auto-retract systems are used for the hardwired Eclipse awning, WindSmart (discontinued) and Direct Response. The system may be installed as part of the original motorized awning installation or as an upgrade to an existing motorized awning. An auto-retract system offer unique features not available with standard electronics:

- *Full-Extend* – Press and release the control to extend, the awning extends completely. It is not necessary to hold the button when opening.
- *Full-Retract* – Press and release the control to retract, the awning retracts completely. It is not necessary to hold the button when closing.
- *Auto-Retract* – The awning can be set to automatically close when windy conditions occur.
- *Remote Control* – The operator can conveniently operate the awning from any location with a wireless remote control.

Eclipse Patio Awning Specifications:

	ECLIPSE UNIVERSAL	ECLIPSE XL
<i>Maximum Extension:</i>	8 foot	9 foot
<i>Length:</i>	12 - 21 feet	12 - 21 feet
<i>Drop @ Min. Pitch:</i>	approximately 12 inches	approximately 13.5 inches
<i>Drop @ Max Pitch:</i>	approximately 40 inches	approximately 45 inches
<i>Extend Actuation:</i>	Gas Shock	Gas Shock
<i>Retract Actuation:</i>	Motorized roll up	Motorized roll up w/ supplemental spring tension
<i>Position Control:</i>	Motorized roll out/in	
<i>Power Requirements:</i>	12VDC (operating range 10VDC to 14VDC) 1	
<i>Circuit Rating:</i>	15 amp	
<i>Power Source:</i>	Motor and controls are routed and hardwired into the vehicle's 12V system	
	OR 14.4V NiCD Battery (rechargeable) (discontinued)	
	Battery Charger:	Input: 10VDC to 18VDC Time to Charge 2: 2 Hours
<i>Emergency Retract:</i>	Electrical override system (external power source)	

Eclipse Patio Awning Options:

Alumaguard Awning Wrap ³	WindSmart Auto-Retract System ⁴ (discontinued)
Uniguard Awning Wrap ³	12V Direct Response Auto-Retract System ⁴
SunBlocker	Remote Control ⁵

NOTES:

1. Installation with optional SunBlocker shade requires a minimum power source of 12VDC (operating range 12VDC to 14VDC)
2. Charge time is approximate requirement for a fully discharged battery to be fully charged.
3. Selected at time of initial order.
4. Windsmart and Direct Response Installations are not available with the Universal AM Eclipse w/ Battery
5. Remote Control available with auto-retract installations only

CANOPY REPLACEMENT

FOR UNIVERSAL ECLIPSE

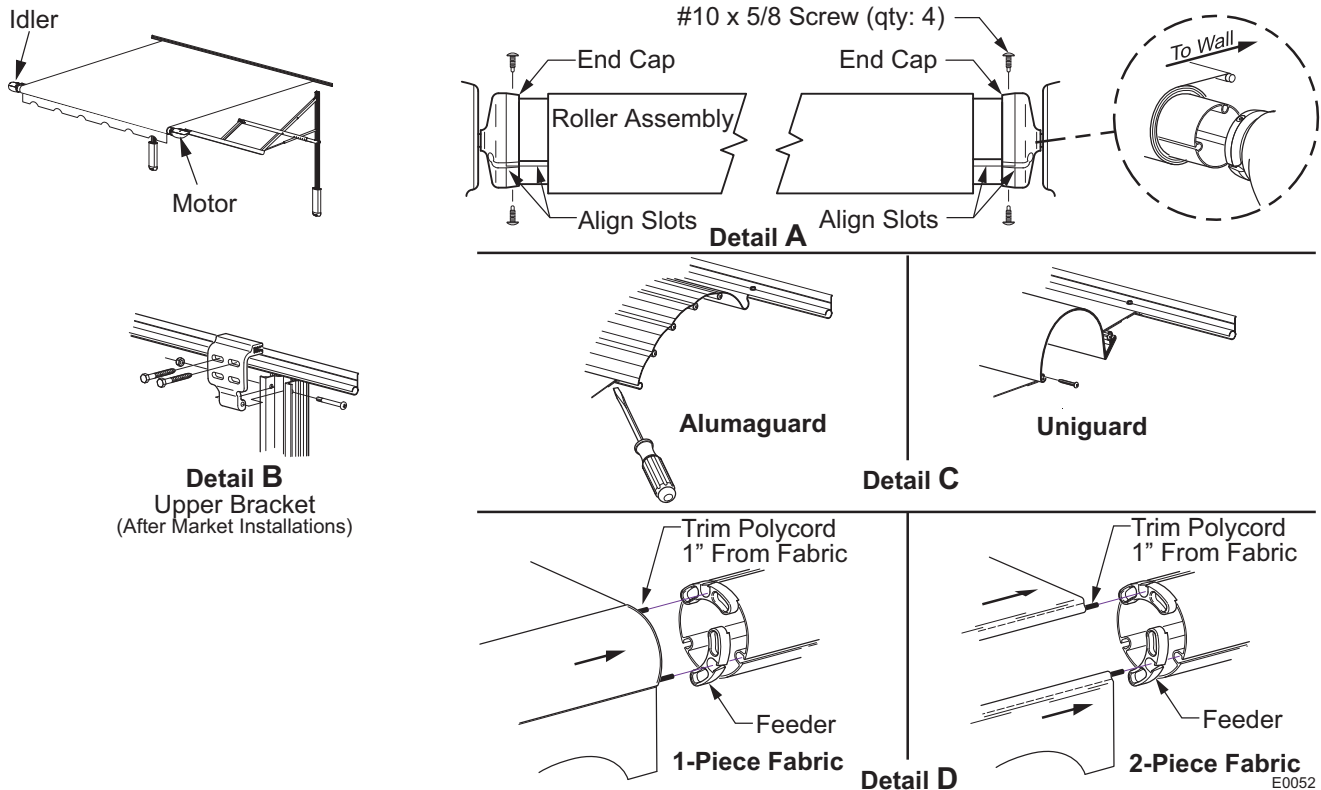


Figure 1. Canopy Replacement - Universal Eclipse.

1. Remove the canopy retaining screws in the awning rail.
2. Extend the awning out completely.
3. Set the awning to the maximum pitch.
4. Remove the screws that attach the end caps to the roll bar and save.
5. While holding the roll bar up, pull the roll bar out of the end cap of the motor head.

⚠ CAUTION

DO NOT ALLOW THE ROLL BAR TO DROP TOWARD THE GROUND. THE TWISTING MOTION CAN CAUSE SERIOUS DAMAGE TO THE IDLER ARM.

6. Support the roll bar; pull the roll bar out of the end cap of the idler head.
7. Allow the fabric and roll bar to hang down on the side of the RV. Use care not to scratch the side of the RV.
8. Mark the slots that the current fabric is in then remove any fabric retaining screws in the roll bar and slide the roll bar off the fabric.
9. Determine the type of canopy replacement:
 - If replacing a full fabric canopy or canopy with Alumaguard or canopy with Uniguard: For arms using an upper mounting bracket, it will be necessary to remove the upper bracket from one side. After removing the bracket brace the arm using scaffolding or similar support.

⚠ CAUTION

THE LOWER MOUNTING SCREWS FOR ARMS USING THE UPPER BRACKET MAY NOT BE MOUNTED INTO STRUCTURAL MEMBERS OF THE COACH WALL. FAILURE TO SUPPORT THE ARM CAN RESULT IN DAMAGE TO THE COACH WALL.

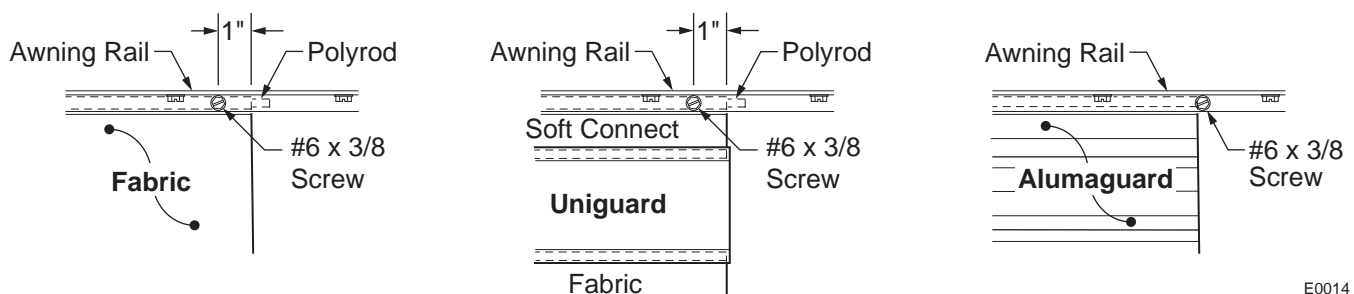
- For canopy only replacement for units with Alumaguard: The fabric is crimped into the aluminum slat. Use a large flat screw driver or similar tool to spread open the crimp on both sides of the fabric.
- For canopy only replacement for units with Uniguard: Remove the retaining screws from both sides of the Uniguard.

10. Slide the fabric out of the awning rail.
11. Clean and deburr the roll bar slots and awning rail/Alumaguard/Uniguard as required. If not previously done, spread open the awning rail track to facilitate inserting the new fabric.

Tip: Lightly spraying the slots with a dry silicone lubricant will help the fabric slide into the slot without staining the material.
12. Unfold the replacement fabric then slide the new fabric into the awning rail/Alumaguard/Uniguard. Center the fabric and install any fabric retaining screws removed previously. Allow the fabric to hang down the side of the coach.
 - *For Alumaguard installations:* Use a pair of side cutters or similar tool and crimp the aluminum. Use care to not bend or distort the aluminum slats.

NOTE: While the awning fabric is fairly robust, care must be taken not to snag it on the awning rail.
13. Position the fabric feeders on the roll bar. Be sure to use the same slots as the old canopy.
14. Slide the rollbar on to the new fabric. Center the fabric and install any fabric retaining screws removed previously.
15. Remove the feeders.
16. If removed, install the upper mounting bracket.
17. Lift and align the roller assembly with the end cap on the motorized arm assembly. Rotate the end cap until the slot in the cap aligns with the empty slot in the roller assembly, and then press the roller assembly fully into the cap. The end cap must seat squarely over the end of the roller assembly when complete.

NOTE: The roller assembly must be oriented with the fabric going over the roller toward the coach wall.
18. Secure the end cap to the roll bar using two #10 square-drive screws.
19. Repeat steps 17 and 18 to attach the idler arm assembly to the roll bar.
20. Visually check that the fabric is squarely mounted. Adjust as required.
21. Roll the awning in and out several times to make sure that the fabric is square on the rollbar.
22. Secure the canopy to the awning rail using one, #6 x 3/8" hex head screw at both sides of the awning.



E0014

Figure 2. Securing the Fabric.

- 22.1. For vinyl awnings, place screw through awning rail, polyrod and canopy approximately 1" in from the end of the fabric.
- 22.2. For Uniguard awnings, place screw through awning rail, polyrod and the soft connect material approximately 1" in from the end of the fabric.
- 22.3. For Alumaguard awnings, place screw on the outer edge of the Alumaguard (not through the Alumaguard).

For Alumaguard installations, go to "Installing the Alumaguard Tractioners" on page 6.

FOR ECLIPSE XL

This procedure applies to the XL Model only. The idler incorporates a roll bar spring to supplement the closing power of the motor. In the closed position, the spring has no winds; the number of winds increase as the awning extends. It will be necessary to remove the spring temporarily to change the canopy.

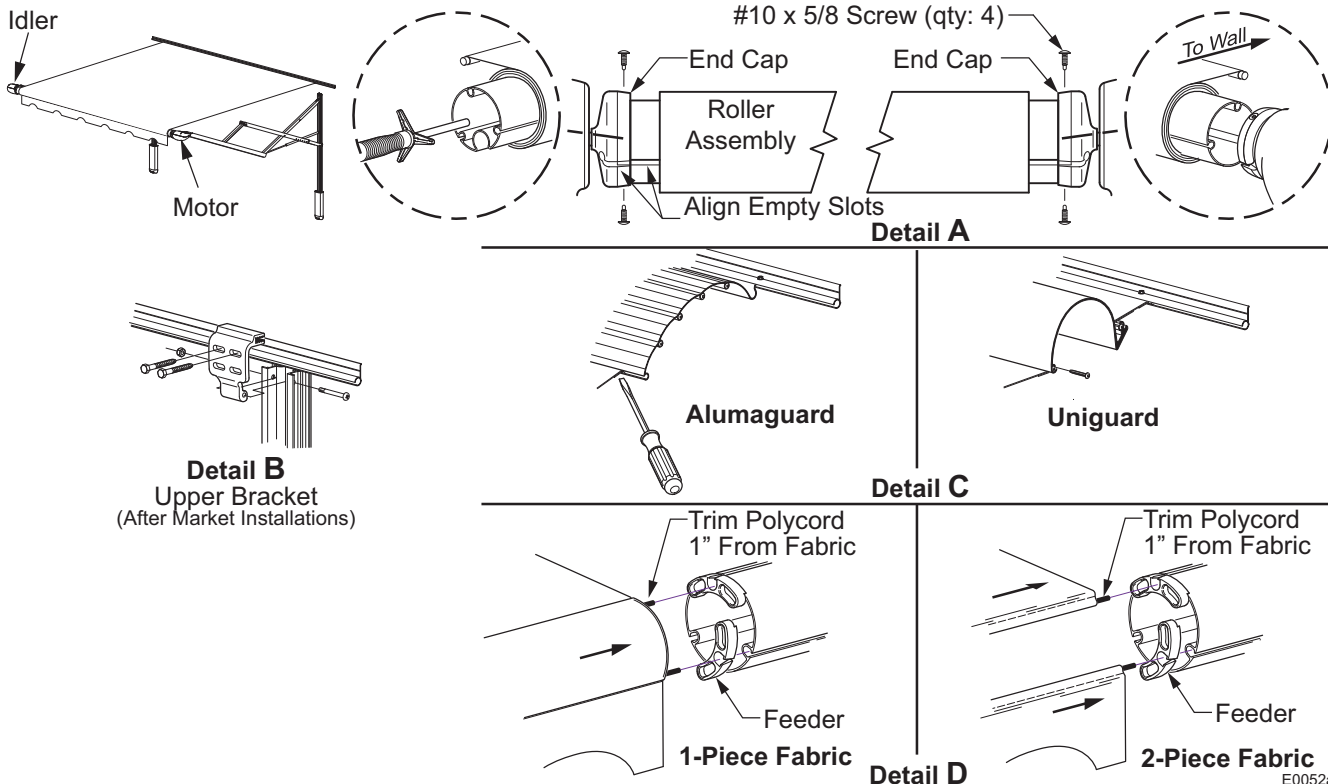


Figure 3. Canopy Replacement - Eclipse XL.

1. Remove the canopy retaining screws in the awning rail.
2. Follow the instructions for "Removing the Spring" on page 11.
3. Remove the screws that attach the motor head end cap to the roll bar and save.
4. While supporting the roll bar, pull the roll bar out of the end cap of the motor head. It may be necessary to slide the canopy in the awning rail about 2"-3" for the roll bar to clear the end cap.

⚠ CAUTION

THE ARM IS UNDER TENSION FROM THE GAS SHOCK. WHEN THE ROLLBAR IS DISENGAGED FROM THE END CAP, THE ARM WILL EXTEND FROM THE GAS SHOCK TENSION. USE EXTREME CARE AND HOLD THE ARM AND LET IT EXTEND. IT WILL BE NECESSARY TO HAVE AT LEAST ONE OTHER PERSON HOLDING THE MOTOR ARM.

5. Allow the fabric and roll bar to hang down on the side of the coach.
6. Mark the slots that the current fabric is in then remove any fabric retaining screws and slide the roll bar off the fabric.
7. Determine the type of canopy replacement:
 - If replacing a full fabric canopy or canopy with Alumaguard or canopy with Uniguard: For arms using an upper mounting bracket, it will be necessary to remove the upper bracket from one side. After removing the bracket brace the arm using scaffolding or similar support.

⚠ CAUTION

THE LOWER MOUNTING SCREWS FOR ARMS USING THE UPPER BRACKET MAY NOT BE MOUNTED INTO STRUCTURAL MEMBERS OF THE COACH WALL. FAILURE TO SUPPORT THE ARM CAN RESULT IN DAMAGE TO THE COACH WALL.

- For canopy only replacement for units with Alumaguard: The fabric is crimped into the aluminum slat. Use a large flat screw driver or similar tool to spread open the crimp on both sides of the fabric.
- For canopy only replacement for units with Uniguard: Remove the retaining screws from both sides of the Uniguard.

8. Slide the fabric out of the awning rail/Alumaguard/Uniguard.
9. Clean and deburr the roll bar slots and awning rail/Alumaguard/Uniguard as required. If not previously done, spread open the awning rail track to facilitate inserting the new fabric.

Tip: Lightly spraying the slots with a dry silicone lubricant will help the fabric slide into the slot without staining the material.

10. Unfold the replacement fabric then slide the new fabric into the awning rail/Alumaguard/Uniguard. Center the fabric and install any fabric retaining screws removed previously. Allow the fabric to hang down the side of the coach.
- *For Alumaguard installations:* Use a pair of side cutters or similar tool and crimp the aluminum. Use care to not bend or distort the aluminum slats.

NOTE: While the awning fabric is fairly robust, care must be taken not to snag it on the awning rail.

11. If removed, install the upper mounting bracket.
12. Position the fabric feeders on the roll bar. Be sure to use the same slots as the old canopy.
13. Slide the rollbar onto the new fabric. Center the fabric and install any fabric retaining screws removed previously.
14. Remove the feeders.
15. Lift and align the roller assembly with the end cap on the motorized arm assembly. Rotate the end cap until the slot in the cap aligns with the empty slot in the roller assembly, and then press the roller assembly fully into the cap. The end cap must seat squarely over the end of the roller assembly when complete.

NOTE: On early units, a spider bracket was inside the end cap to hold the rollbar in position with the drive shaft. The newer end caps no longer require the use of the spider.

16. Secure the end cap to the roll bar using two #10 square-drive screws.
17. Insert the idler assembly spring into the roll bar then rotate the end cap until the slot in the cap aligns with the empty slot in the roll bar. Press the end cap fully on to the rollbar and secure using two #10 square drive screws.
18. With the awning open, it is necessary to add winds to the spring. To add winds, firmly grasp the mounting frame and rotate over the top and away from the coach. To hold the frame, use vice grips.

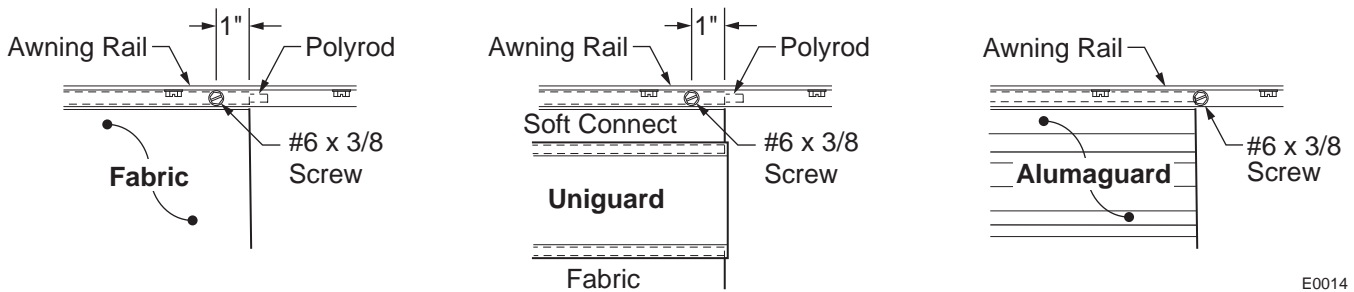
NOTE: One complete revolution equals one wind. One wind must be added for every 11 inches that the awning is open. With the awning fully extended, total number of winds equals 10.

19. (Refer to Figure 8 on page 11) Place the idler assembly in position over the mounting bolt. Ensure that the spacer-washers are all accounted for.

NOTE: It will be necessary to collapse and hold the arm to match the roller position.

20. Secure using the washer and lock nut removed previously. The nut should be tightened until snug but the idler head should be able to swivel by hand.
21. Attach the rear cover to the motor assembly using the large screw removed previously.
22. Attach the front cover using the small screws removed previously.
23. Visually check that the fabric is squarely mounted without any wrinkles. Adjust as required.
24. Roll the awning in and out several times to make sure that the fabric rolls squarely onto the rollbar.

25. Secure the canopy to the awning rail using one, #6 x 3/8" hex head screw at both sides of the awning.



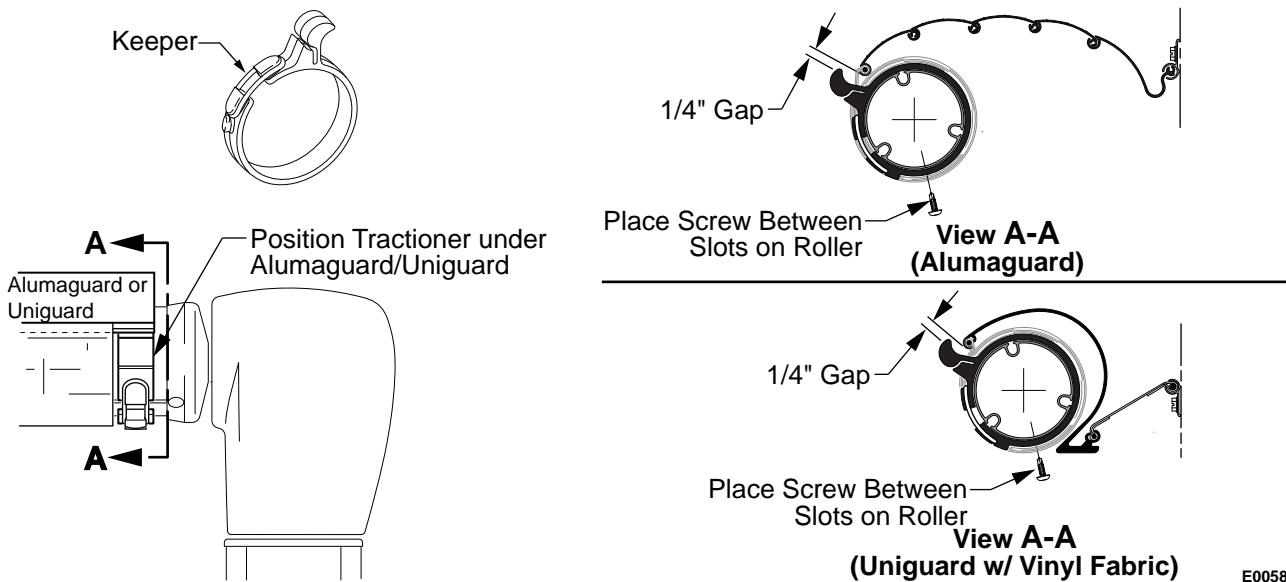
E0014

Figure 4. Securing the Fabric.

- 25.1. For vinyl awnings, place screw through awning rail, polyrod and canopy approximately 1" in from the end of the fabric.
- 25.2. For Uniguard awnings, place screw through awning rail, polyrod and the soft connect material approximately 1" in from the end of the fabric.
- 25.3. For Alumaguard awnings, place screw on the outer edge of the Alumaguard (not through the Alumaguard).

INSTALLING THE TRACTIONERS

The tractioners are used with the alumaguard metal fabric wrap and uniguard with vinyl fabrics.



E0058

Figure 5. Installing the Alumaguard Tractioner.

- 1. Partially extend the awning until the Alumaguard/Uniguard is extended with the edge on the roll bar as shown.
- 2. Unlock the keeper and wrap the tractioner around the roller tube.
- 3. Position the tractioner under the Alumaguard/Uniguard with a 1/4" gap between the metal wrap and tractioner. Lock the keeper.
- 4. Repeat for the other end of the rollbar.
- 5. Extend the awning to verify that the tractioners are lifting the metal wrap up and over the roller assembly.
- 6. To secure the tractioner, drill a 1/8" hole through the tractioner and rollbar; roughly center the hole between two slots of the rollbar.
- 7. Secure with one (1) #10 square drive screw.

IMPORTANT NOTE: Over time and use, the awning fabric may stretch. When this occurs the position of the tractioner relative to the metal wrap may change. It may be necessary to remove the screw and adjust the position of the tractioners (both sides). It will be necessary to drill new holes (step 6) before securing with the screw.

MOTOR REPLACEMENT

⚠ CAUTION

ALWAYS DISCONNECT THE BATTERY OR POWER SOURCE BEFORE WORKING WITH ANY ELECTRICAL COMPONENTS.

Two methods are used for replacing the Eclipse motor. 1) Replacing the motor if the awning is extended (fully or partially) and 2) Replacing the motor if the awning is fully closed.

REPLACING THE MOTOR - AWNING EXTENDED

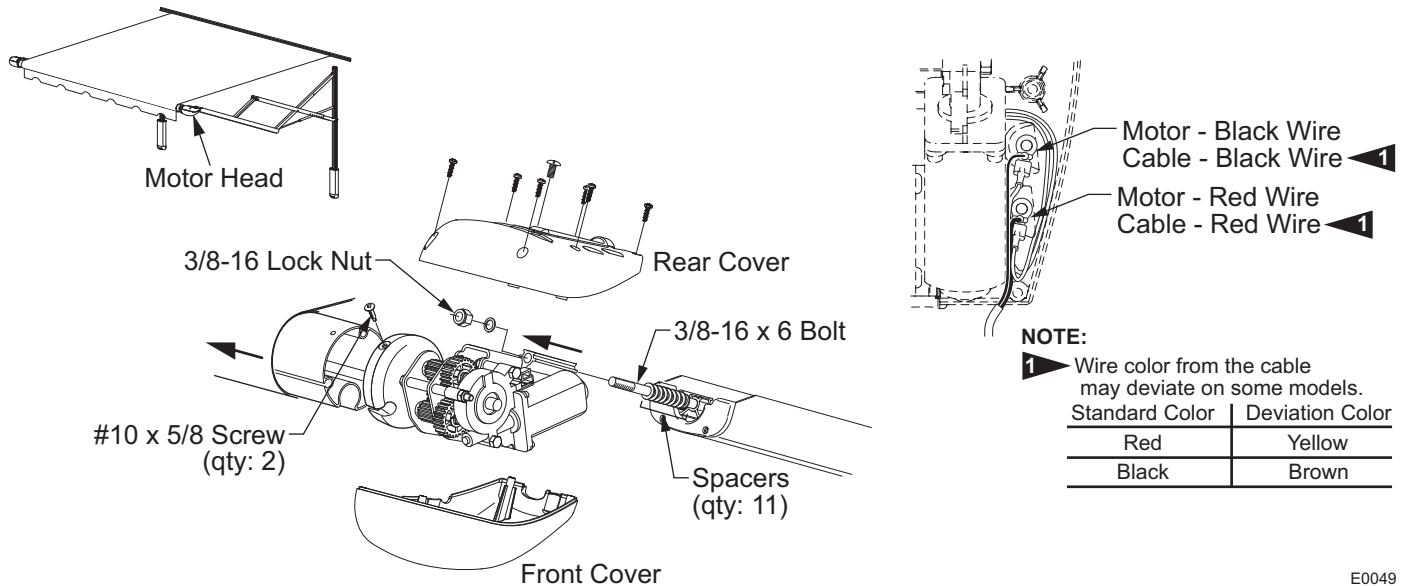


Figure 6. Motor Replacement - Awning Extended.

1. For convenience, lower the awning to the maximum pitch setting.
2. On the motorized side, remove the two square drive screws attaching the end cap to the roll bar then separate the roll bar from the end cap. It will be necessary to hold the roll bar and both arms in position.

⚠ CAUTION

THE ARMS ARE UNDER TENSION FROM THE GAS SHOCK. WHEN THE ROLL BAR IS SEPERATED, BOTH ARMS WILL EXTEND. USE EXTREME CARE AND HOLD THE ARMS IN POSITION. IT WILL BE NECESSARY TO HAVE AT LEAST ONE OTHER PERSON HOLDING THE IDLER ARM.

3. Hold on to the motor arm and allow it to extend to its maximum position.
4. Hold on to the idler arm and roll bar and allow the arm to extend to its maximum position while allowing the fabric to unroll from the roll bar.

⚠ CAUTION

FOR XL AWNINGS: THE IDLER HEAD HAS A ROLL BAR SPRING INCORPORATED TO SUPPLEMENT THE CLOSING POWER OF THE MOTOR. IN THE CLOSED POSITION, THE SPRING HAS NO WINDS; THE WINDS INCREASE AS THE AWNING IS OPENED. WHEN THE ARM IS FREED THE ARM WILL OPEN/CLOSE UNTIL THE SPRING WIND TENSION (CLOSE) EQUALS THE GAS SHOCK TENSION (OPEN). ALLOW THE ARM TO COME TO REST AT THE EQUALIZATION POINT. DURING ASSEMBLY COLLAPSE AND HOLD THE MOTOR ARM TO MATCH THE XL IDLER ARM POSITION.

5. Use a ladder or other device support the roll bar.

⚠ CAUTION

DO NOT ALLOW THE ROLL BAR TO DROP TOWARD THE GROUND. THE TWISTING MOTION CAN CAUSE SERIOUS DAMAGE TO THE IDLER ARM.

6. On the right hand arm remove the front cover by removing the six (6) smaller screws from the back of the motor head. Save cover and screws.

7. Disconnect the motor and cable wires from inside the rear cover. Carefully note the location of each wire.
8. Remove the rear cover by removing the one (1) large screw from the back of the motor head. Save cover and screw.
9. Loosen and remove the 3/8-16 lock nut from the mounting bolt. Make note of the number and order of the spacer-washers between the arm mounting block and the motor head.
Tip: When the nut is removed, the bolt will slide out of the arm mounting block inside the arm channel. Placing tape on the head of the mounting bolt and the spacers will prevent them from falling out when the nut and motor are removed.
10. Remove the motor assembly. The motor assembly consists of the motor, mounting frame, gears, shaft and roller end cap.
11. Place the new motor assembly in position over the mounting bolt. Ensure that the spacer-washers are all accounted for.
12. Secure using the washer and lock nut removed previously. The nut should be tightened until snug but the motor head should be able to swivel by hand.
13. Attach the rear cover to the motor assembly using the large screw removed previously.
14. Attach the motor and cable wires to the terminals inside the rear cover.
NOTE: FOR XL AWNINGS: Before attaching the roll bar to the end cap, collapse and hold the motor arm to match the idler arm position. Ensure that the fabric is rolled up evenly on the roll bar.
15. Align the roll bar with the end cap on the motorized arm assembly. Rotate the end cap until the slot in the cap aligns with the empty slot in the roller assembly, and then press the roller assembly fully into the cap. The end cap must seat squarely over the end of the roller assembly when complete.
NOTE: On early units, a spider gear inside the end cap is used to hold the rollbar in position with the drive shaft. The replacement end cap no longer requires the use of the spider.
16. Secure the end cap to the roller assembly using two #10 x 5/8 square-drive screws.
17. Restore power and test operation. If the awning moves in the wrong direction (i.e. extends when retract is pushed) reverse only the two motor wires in the rear cover.
18. Attach the front cover using the small screws removed previously.

REPLACING THE MOTOR –AWNING CLOSED

This procedure will require replacing the front and rear motor covers in addition to the motor assembly.

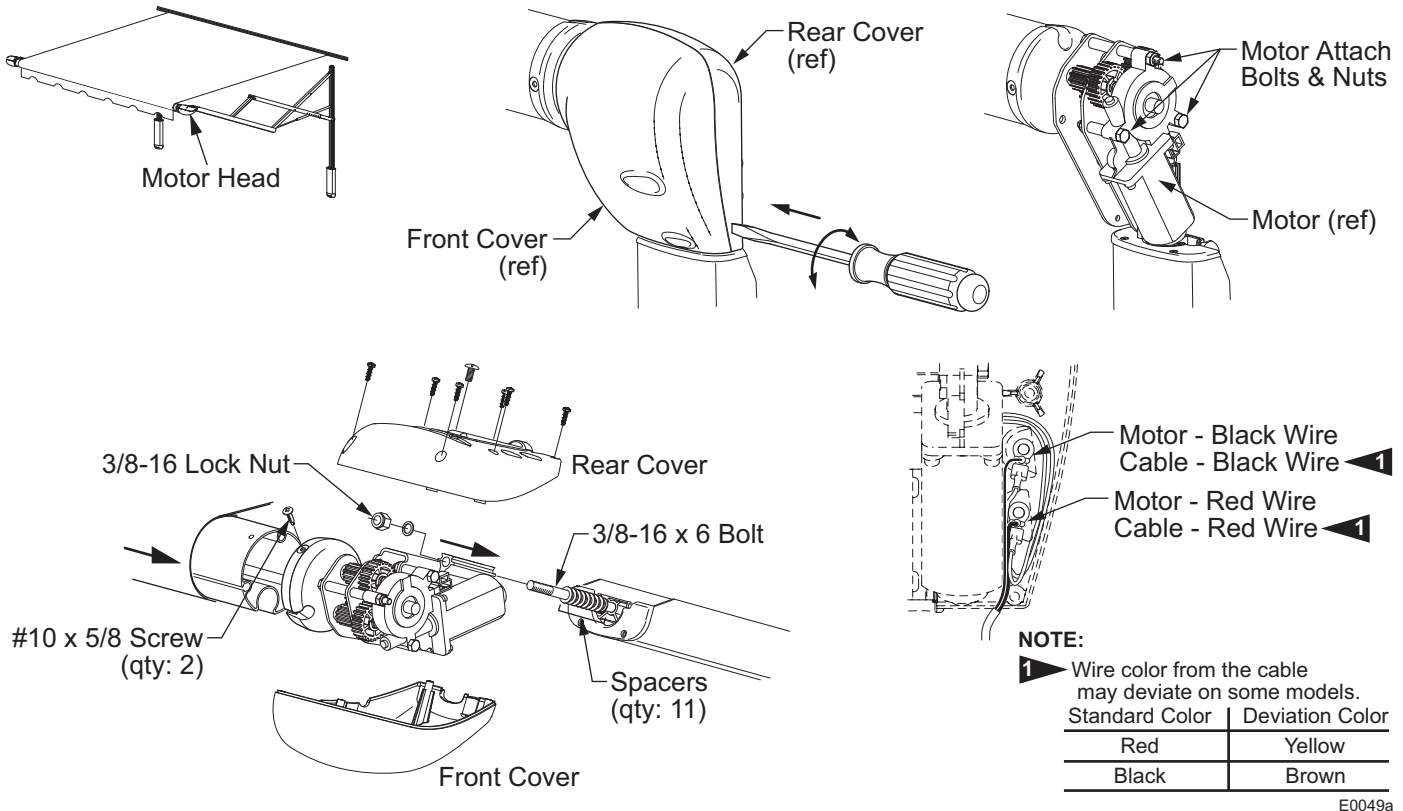


Figure 7. Motor Replacement - Awning Closed.

1. Place a large flat blade screwdriver or similar tool in the seam between the front and rear covers. Using a twisting and prying motion, break the covers off. It may be necessary to use a hammer and lightly tap the screwdriver into the plastic to establish a starting point.

Tip: Start at the bottom and work around the seam until the covers are off.

2. Disconnect the motor and cable wires from inside the rear cover. Carefully note the location of each wire.
3. Firmly hold the motor and idler arms up while removing the three (3) motor attach bolts and nuts.
4. Remove the motor from the motor mounting frame.

⚠ CAUTION

THE ARMS ARE UNDER TENSION FROM THE GAS SHOCKS. WHEN THE MOTOR IS DISENGAGED FROM THE GEARS, THE ROLL BAR WILL BE ABLE TO FREE SPIN AND BOTH ARMS WILL EXTEND FROM THE GAS SHOCK TENSION. USE EXTREME CARE AND HOLD THE ARMS IN POSITION. IT WILL BE NECESSARY TO HAVE AT LEAST ONE OTHER PERSON HOLDING THE IDLER ARM.

5. While holding on to the arms and roll bar allow the awning to extend to the maximum position; the fabric will unroll from the roll bar.

⚠ CAUTION

FOR XL AWNINGS: THE IDLER HEAD HAS A ROLL BAR SPRING INCORPORATED TO SUPPLEMENT THE CLOSING POWER OF THE MOTOR. IN THE CLOSED POSITION, THE SPRING HAS NO WINDS; THE WINDS INCREASE AS THE AWNING IS OPENED. WHEN THE ARM IS FREED THE ARM WILL OPEN/CLOSE UNTIL THE SPRING WIND TENSION (CLOSE) EQUALS THE GAS SHOCK TENSION (OPEN). ALLOW THE ARM TO COME TO REST AT THE EQUALIZATION POINT. DURING ASSEMBLY COLLAPSE AND HOLD THE MOTOR ARM TO MATCH THE XL IDLER ARM POSITION.

6. On the right hand arm remove any pieces of the front and rear covers. Remove the cover's attaching screws and save.

7. Remove the two square drive screws attaching the end cap to the roll bar, separate the roll bar and end cap. It will be necessary to hold the roll bar and motor arm. Allow the arm to extend out.
8. Use a ladder or other device support the roll bar.

 **CAUTION**

DO NOT ALLOW THE ROLL BAR TO DROP TOWARD THE GROUND. THE TWISTING MOTION CAN CAUSE SERIOUS DAMAGE TO THE IDLER ARM.

9. Loosen and remove the 3/8-16 lock nut from the mounting bolt. Make note of the number and order of the spacer-washers between the arm mounting block and the motor head.

Tip: When the nut is removed, the bolt will slide out of the arm mounting block inside the arm channel. Placing tape on the head of the mounting bolt and the spacers will prevent the bolt and the spacers from falling out when the nut and motor are removed.

10. Remove the rest of the motor assembly. The motor assembly consists of the motor, mounting frame, gears, shaft and roller end cap.
11. Place the new motor assembly in position over the mounting bolt. Ensure that the spacer-washers are all accounted for.
12. Secure using the washer and lock nut removed previously. The nut should be tightened until snug but the motor head should be able to swivel by hand.
13. Attach the rear cover to the motor assembly using the large screw removed previously.
14. Attach the motor and cable wires to the terminals inside the rear cover.

NOTE: FOR XL AWNINGS: Before attaching the roll bar to the end cap, collapse and hold the motor arm to match the idler arm position. Ensure that the fabric is rolled up evenly on the roll bar.

15. Align the roll bar with the end cap on the motorized arm assembly. Rotate the end cap until the slot in the cap aligns with the empty slot in the roller assembly, and then press the roller assembly fully into the cap. The end cap must seat squarely over the end of the roller assembly when complete.

NOTE: On early units, a spider gear was inside the end cap to hold the rollbar in position with the drive shaft. The replacement end cap no longer requires the use of the spider.

16. Secure the end cap to the roller assembly using two #10 x 5/8 square-drive screws.
17. Restore power and test operation. If the awning moves in the wrong direction (i.e. extends when retract is pushed) reverse only the two motor wires in the rear cover.
18. Attach the front cover using the small screws removed previously.

IDLER/SPRING REPLACEMENT

This procedure applies to the XL Model only. The idler incorporates a roll bar spring to supplement the closing power of the motor. In the closed position, the spring has no winds; the winds increase as the awning extends.

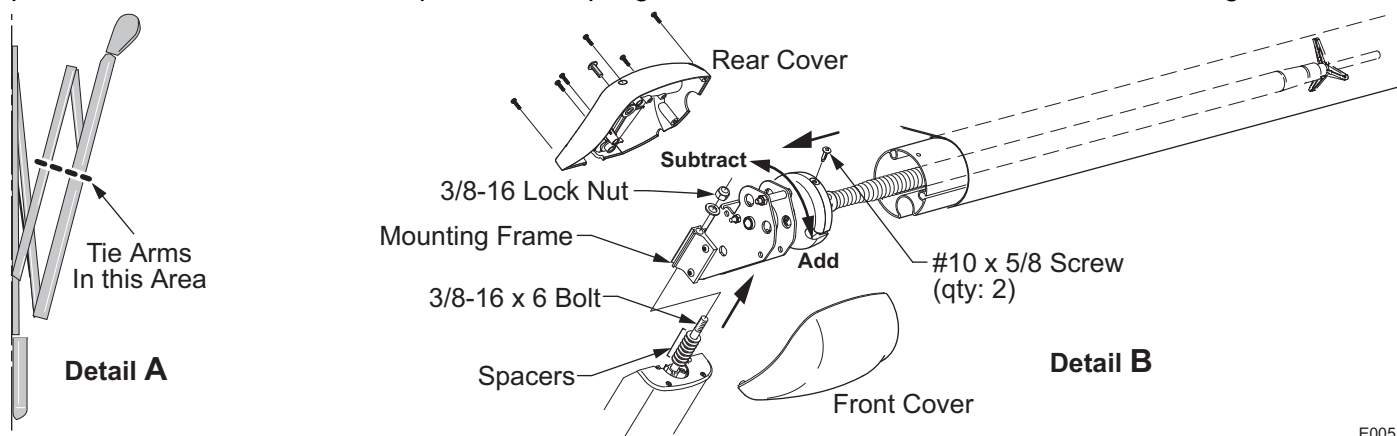


Figure 8. Idler/Spring Replacement.

E0051

REMOVING THE SPRING

1. Extend the awning out approximately 10 inches. This will allow access to the attaching screws for the covers.
2. Tie the arm as shown in Detail A. Use a soft rag or similar material beneath the tie material to prevent damaging the finish.

⚠ CAUTION

THE ARM IS UNDER TENSION FROM THE GAS SHOCK. WHEN THE HEAD IS DISENGAGED FROM THE ROLL BAR, THE ARM WILL TRY TO EXTEND FROM THE GAS SHOCK TENSION IF THE ARM IS NOT TIED AND SECURED.

3. Remove the six (6) small screws for the front cover and the one (1) large screw that attaches the rear cover to the frame. Set covers and screws aside and save.

⚠ CAUTION

THE SPRING WILL HAVE A MINIMUM OF ONE WIND WHEN THE AWNING IS PARTIALLY OPEN. FIRMLY HOLD THE IDLER HEAD WHILE DISASSEMBLING. WITH MINIMUM TENSION THE SPRING CAN STILL UNWIND WITH FORCE THAT CAN CAUSE PERSONAL INJURY AND/OR PROPERTY DAMAGE.

4. Loosen and remove the 3/8-16 lock nut from the mounting bolt. Make note of the number and order of the spacer-washers between the arm mounting block and the idler head.
5. Firmly hold the idler head and pull the bolt down to free the head from the arm.
6. While firmly holding the idler mounting frame, unwind the spring. To unwind, rotate the idler mounting frame over the top toward the coach.
7. Remove the square drive screws attaching the end cap to the roll bar and separate the end cap from roll bar.
8. Pull the idler head and spring out of the roll bar and set aside.

INSTALLING THE SPRING

9. Insert the new spring into the roll bar then rotate the end cap until the slot in the cap aligns with the empty slot in the roll bar. Press the end cap fully on to the rollbar and secure using two #10 square drive screws.

NOTE: On early units, a spider gear was inside the end cap to hold the rollbar in position with the drive shaft. The replacement end cap no longer requires the use of the spider.

10. With the awning partially open add one wind to the spring. To add a wind, firmly grasp the mounting frame and rotate over the top and away from the coach. One complete revolution equals one wind.

NOTE: One wind must be added for every 11 inches that the awning is open.

11. Place the idler assembly in position over the mounting bolt. Ensure that all the spacer-washers are accounted for.
12. Secure using the washer and lock nut removed previously. The nut should be tightened until snug but the idler head should be able to turn by hand.
13. Reinstall the idler head covers.

REPLACING THE GAS SHOCK

⚠ CAUTION

THE GAS SHOCK HAS APPROXIMATELY 85 LBS OF PRESSURE IN THE CLOSED POSITION. A PRESSURIZED SHOCK CAN OPEN RAPIDLY WHEN REMOVED OR RELEASED AND CAUSE PERSONAL INJURY AND PROPERTY DAMAGE.

1. Open the awning.

NOTE: The arm may not completely open when the shock has lost pressure or it is removed. It may be necessary to pull the arm out and away from the vehicle to open the awning.

2. Remove the stop bolts and save.
3. Remove the two square drive screws attaching the end cap to the roller tube, then separate the roller tube and end cap. It will be necessary to hold the roll bar and motor arm. Allow the arm to extend out.
4. Use a scaffold or similar device to support the roller tube.

⚠ CAUTION

DO NOT ALLOW THE ROLLER TUBE TO DROP TOWARD THE GROUND. THE TWISTING MOTION CAN CAUSE DAMAGE TO THE OTHER ARM.

5. Support the arm in the area shown.
6. Unscrew the shock barrel from the clevis in the mounting channel.

Tip: Wearing a pair of rubber gloves will aid in gripping the surfaces of the shock.

7. Unscrew the shaft from the clevis in the arm joint. Set old shock aside.

NOTE: It may be necessary to use vice grips or pliers on the old shock to unscrew the shock from the clevis. DO NOT use vice grips or pliers on the new shock. Damage to the surface of the shaft or damage to the barrel can cause the new shock to not work.

8. Unpack the new shock and carefully allow it to extend to its maximum length.
9. Insert the new shock between the upright struts.
10. Coat the threads of the shaft of the new shock with a non-permanent thread lock (i.e. loctite) then screw the rod into the clevis of the arm elbow. Hand-tighten only.
11. Lift and hold the arm up in the area indicated in Figure 9. The arm should be unfolded and extended as far as possible.
12. Coat the threads of the barrel of the new shock with a non-permanent thread lock (i.e. loctite) then screw the barrel into the clevis in the mounting channel. Hand-tighten only. It will be necessary to grip and hold the shaft while turning the barrel.
13. Align the roll bar with the end cap on the arm assembly. Rotate the end cap until the slot in the cap aligns with the empty slot in the roller assembly, and then press the roller assembly fully into the cap. The end cap must seat squarely over the end of the roller assembly when complete.
14. Secure the end cap to the roller assembly using two #10 x 5/8 square-drive screws.
15. Partially retract the awning. It may be necessary to lightly pull down on the lower arm at the mounting channel until the rollers are past the location of the stop bolts. Always pull down from the bottom of the arm to avoid pinching.
16. Reinstall the stop bolts removed in step 2.

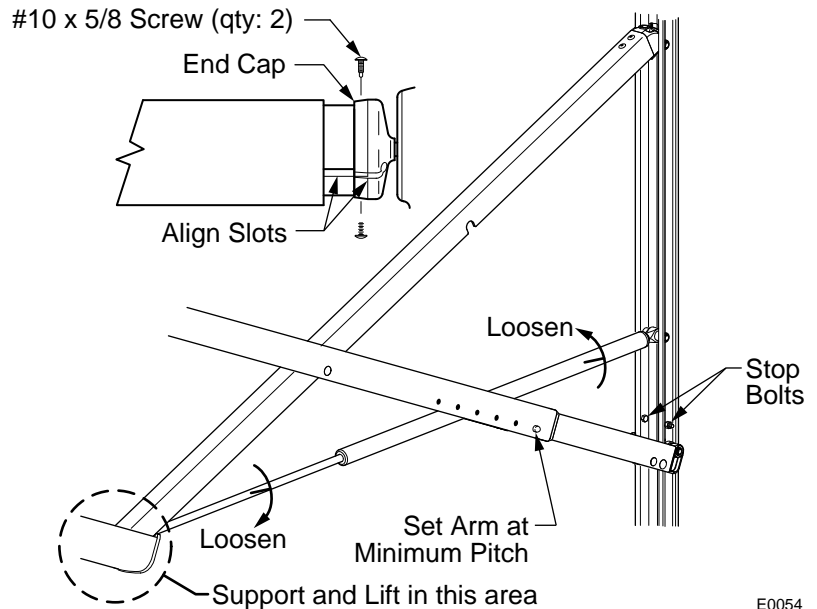


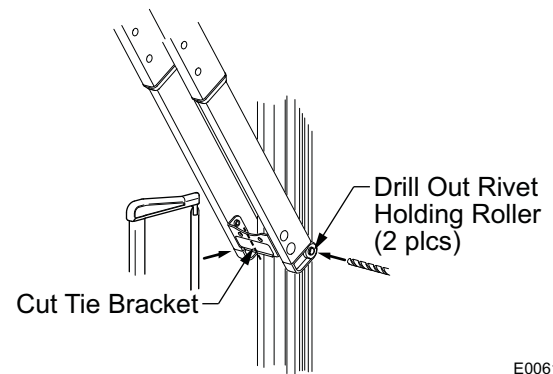
Figure 9. Replacing the Shock.

E0054

REPLACING THE ARM ROLLERS

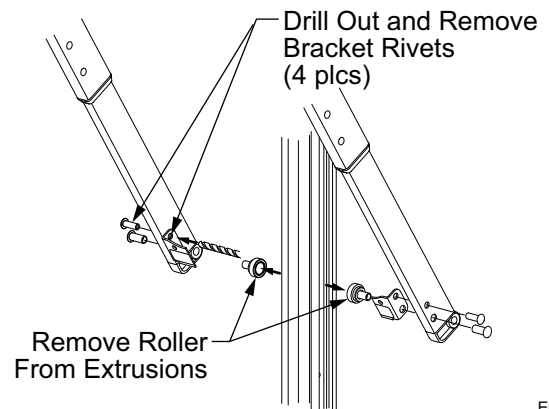
Use Kit number R019291-005 for white or R019251-006 for black.

1. Open the awning completely.
2. Use a ladder or scaffold to support the roller tube.
3. Disconnect power to the awning.
4. Cut the tie bracket in half.
5. Drill out the roll rivets from the roller on both sides of the arm. Drill only the rivet; do not drill into the roller mount at the bottom of the channel.



E0061a

6. Spread the arm channels and hold slightly skewed. From inside the channels, drill out the 4 rivets that hold the tie bracket halves. Remove and discard parts.
7. Pull out the roller from the channel. It may be necessary to use a flat blade screwdriver or similar tool to "pop out" the roller.

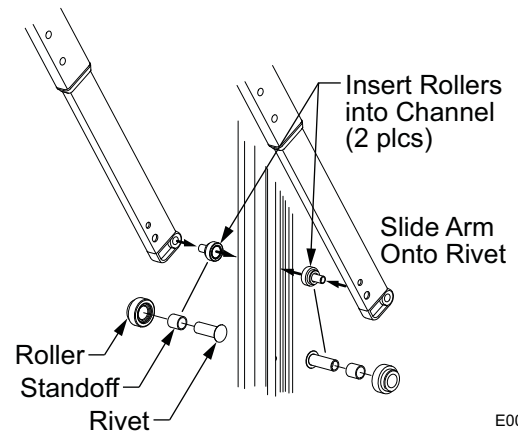


E0061b

⚠ CAUTION USE A RAG OR SIMILAR PROTECTION BETWEEN ANY TOOLS AND THE SURFACES OF THE ARMS. THIS IS TO PREVENT SCRATCHING OR DAMAGING THE SURFACE.

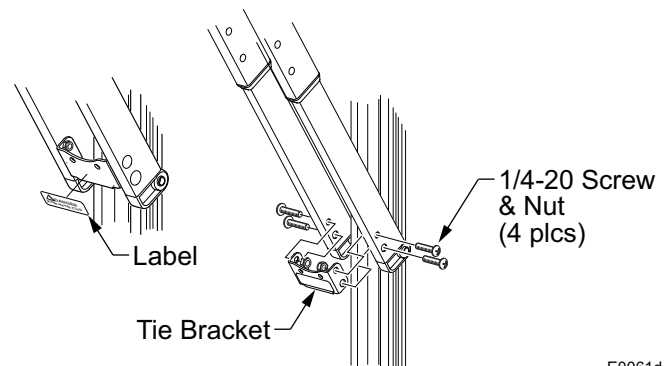
8. Assemble the new roller, standoff and rivet as shown then insert the roller into the channel of the extrusion. It may be useful to use a clamp or wide mouth pair of pliers to squeeze the new roller into the channel of the extrusion.
9. Slide the arm channels onto the rivets.

NOTE: It is not necessary to crimp or roll the new roller rivet. When the assembly is complete; the rivet is trapped and cannot come out.



E0061c

10. Position the new tie bracket between the arm channels.
11. Attach using four (4) each 1/4-20 x 1 truss head screws and nylock nuts. Use the existing rivet holes in the channels. Before tightening, make sure that the front of the bracket is parallel with the front face of the channels.
12. Clean the surface of the bracket then attach the warning label to the front of the bracket.
13. Remove the roller tube supports and reconnect power to the awning.



E0061d

DIAGNOSTICS

The following procedures are intended to aid the service technician to logically resolve operational issues with the mechanical and standard electronics installations.

Common Operational Items

The following items are operational items that may come up as questions during normal operation. These are also given in the operator's manual.

1. The motor has a thermal protection circuit. If the motor overheats, the circuit will shut off the motor. Wait approximately 15 minutes, operation will return to normal. As an example, this may occur if the awning is fully closed and retract switch pushed repeatedly, then the awning does not extend.
2. The awning seems to extend and retract slowly. The operational range is 28-35 seconds to extend or retract. If the power supply is on the low side of the range (10V) the awning will move slower.
3. The awning may appear to move jerkily. When the fabric is rolled out, the Alumaguard or Uniguard may "bounce" creating a wave like motion in the canopy fabric. This will create the appearance of moving jerkily.
4. With Uniguard, the awning sticks or hangs up. When Uniguard is installed with a vinyl canopy, the vinyl will have a tendency to "cling" to the Uniguard when not used over an extended period. Open and close the awning in short bursts 2 or 3 times, the awning will then open normally.

Refer to the appropriate wiring diagram for the system being tested:

STANDARD ELECTRICAL

- Wiring diagram – single switch page 23
- Wiring diagram – multiple switch page 23

AUTO RETRACT SYSTEMS:

- Wiring diagram – Windsmart page 25
- Wiring diagram – Direct Response page 26

Procedures in this section: ***Page***

STANDARD ELECTRICAL.....	15
D01 THE AWNING OPERATES IN REVERSE OF THE SWITCH PLATE	15
D02 THE AWNING DOES NOT EXTEND AND/OR RETRACT	15
D03 ARM DOES NOT EXTEND OR DOES NOT EXTEND COMPLETELY	17
AUTO RETRACT SYSTEMS	18
D04 THE AWNING OPERATES IN REVERSE OF THE SWITCH PLATE MARKINGS	18
D05 THE AWNING DOES NOT EXTEND AND/OR RETRACT USING THE PATIO SWITCH.....	18
D06A AWNING DOES NOT AUTO-RETRACT DURING WINDY CONDITIONS -WINDSMART	19
D06B AWNING DOES NOT AUTO-RETRACT DURING WINDY CONDITIONS –DIRECT RESPONSE	19
D07 AWNING DOES NOT MOVE WHEN KEY FOB BUTTONS ARE PUSHED	20
COMMON TEST PROCEDURES	21
CT01 TESTING A SWITCH AND HARNESS	21
CT02 TESTING THE CONTROL BOX	22
CT03 TESTING THE BATTERY AND CHARGER	22

STANDARD ELECTRICAL

The following procedures are intended to aid the service technician to logically resolve operational issues with the mechanical and standard electronics installations.

In the charts below, YES is a positive response to the test; NO is a negative response.

D01 THE AWNING OPERATES IN REVERSE OF THE SWITCH PLATE			
<i>This condition generally occurs during new installations or when major components have been replaced.</i>			
A	Confirm Switch is mounted in correct position and correctly oriented.	YES	Switch mounted OK; go to test B
		NO	Carefully remove the switch, rotate 180 and reinstall in panel. Reconnect harnesses and retest
B	Confirm switch is wired correctly. Use the wiring diagram and confirm the wires to/from the switch to the connector are correctly placed.	YES	Switch wired OK; go to test C
		NO	Rewire the switch according to the wiring diagram

D02 THE AWNING DOES NOT EXTEND AND/OR RETRACT			
<i>For Multiple Switch configurations, the Power switch must be ON.</i>			
A	Check Installation Integrity Use the wiring diagram and confirm that the components and wiring are properly installed and connected	YES	Go to test B
		NO	Correct as required
B	Confirm Power Supply Is vehicle battery or power source providing 10V to 14V to the Switch (Power switch for Multiple switch installations) For battery installations, use test procedure "CT03 Testing the Battery" on page 22.	YES	Go to test B
		NO	Correct as required
C	Test Motor Function 1. For installations with an external plug; Disconnect plug. 2. For installations with a single switch; Remove switch plate and disconnect the motor wires from the switch. 3. For installations with multiple switches, disconnect the connector from the relay to the motor. If no connector, remove the butt splices on the red and black wires from the motor. Cap the wires to prevent shorting 4. Attach jumper leads to the emergency terminals located on the back of the motor head. 5. Connect the other ends of the jumpers to a 12-18VDC power source (i.e. drill battery). It may be necessary to try then reverse the leads on the battery and try again. 6. Does the motor run?	YES	Motor is good, go to test C
		NO	Motor is defective - replace
D	Test wire continuity between motor and wire ends.	YES	Wire continuity good – reconnect the wires disconnected in the previous test then go to test E
		NO	Repair as required then reconnect the wires disconnected in the previous test.

DO2 continued on next page

D02 (CONT)

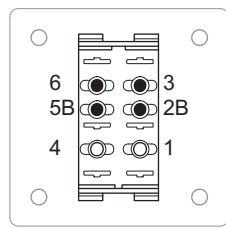
E Test Switch Function – Single Switch Installation (this test requires a continuity tester)
The Patio Switch used in the Single Switch Installation is a center on that is internally cross-wired to short in the center position to provide dynamic braking for the motor to prevent "drift" when the awning is stopped.

Test 1 is for Series I & II switches. Use Test 2 for Series III switches.

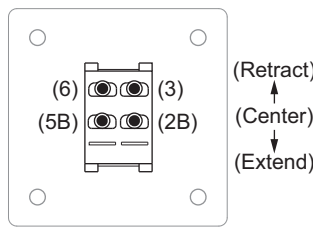
Observe continuity for switch in center position, extend position and retract position.

1a Place one lead of tester on pin 2B. Touch 2nd lead to the other pins one at a time.	Pin:	Center	Extend	Retract	YES	Test OK, all checks pass – go to step 1b
	3	N	Y	N		
	6	Y	N	Y	NO	Test failed; switch defective - replace
	5B	Y	N	N		
N = no continuity, Y = continuity						

1b Place one lead of tester on pin 5B. Touch 2nd lead to the other pins one at a time.	Pin:	Center	Extend	Retract	YES	Test OK, all checks pass – Reevaluate problem, cause is not electrical
	3	N	N	Y		
	6	Y	Y	N	NO	Test failed; switch defective - replace
N = no continuity, Y = continuity						



Series I Switch



Series II Switch

Note:
 The Series II switch terminals are not labeled.
 The illustrations are labeled for identification purposes in the procedures above.

TravelR019

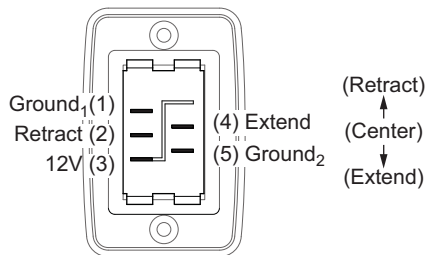
Test 2 is for Series III switches. Use Test 1 for Series I & II switches.

Observe continuity for switch in center position, extend position and retract position.

2a Place one lead of tester on 12V pin (3). Touch 2nd lead to the other pins one at a time.	Pin:	Center	Extend	Retract	YES	Test OK, all checks pass – go to step 2b
	2	N	N	Y		
	4	N	Y	N	NO	Test failed; switch defective - replace
	N = no continuity, Y = continuity					
All other pins should be NO in all switch positions						

2b Place one lead of tester on Ground ₁ pin (1). Touch 2nd lead to the other pins one at a time.	Pin:	Center	Extend	Retract	YES	Test OK, all checks pass – go to step 2c	
	2	Y	Y	N			
	N = no continuity, Y = continuity					NO	Test failed; switch defective - replace
	All other pins should be NO in all switch positions						

2c Place one lead of tester on Ground ₂ pin (5). Touch 2nd lead to the other pins one at a time.	Pin:	Center	Extend	Retract	YES	Test OK, all checks pass – Reevaluate problem, cause is not electrical	
	4	Y	N	Y			
	N = no continuity, Y = continuity					NO	Test failed; switch defective - replace
	All other pins should be NO in all switch positions						



Series III Switch

Note:
 The Series III switch terminals are not labeled.
 The illustration is labeled for identification purposes in the procedures above.

TravelR019a

D03 ARM DOES NOT EXTEND OR DOES NOT EXTEND COMPLETELY			
A	Visually confirm motor is working when control switch is pressed.	YES	Go to test B
		NO	Go to test D02 – Awning Does Not Extend and/or Retract – page 14.
B	Confirm that the arm channels, pivot points and contact points are clean and clear of obstructions.	YES	Go to test C
		NO	Clean and Lubricate then retest. If the arm still hangs up – go to test C
C	If the awning has Alumaguard, check that the tractioners are installed and positioned correctly (refer to page 6).	YES	Tractioners OK - Go to test D
		NO	Reposition and attach the tractioners according to the directions on page 6 and retest.
D	1. Open the awning. If the awning arm does not extend, carefully pull the arm out as the fabric is unrolling. 2. Does the fabric sag when the awning is extended? 3. Inspect the shock. Is there evidence of dirt build up and oil leaks on the rod? 4. Hand close and open the arm. Is the tension from the shock mushy, weak or missing? NOTE: To close the awning by hand, push the head of the arm toward the coach. Pulling down on the head or roll bar WILL NOT close the awning.	YES	Shock is defective – replace. See procedure on page 12.
		NO	Shock extends with arm and is solid. Shock pressure is approximately 85 lbs. Go to test E.
E	This step only applies to new Uniguard and Alumaguard installations that do not extend correctly. Check that the centerline of the roll bar is 3/4" ± 1/4" above the centerline of the awning rail. Refer to 052547-001 Eclipse Arms and Canopy After Market Installation Manual or 052547-021 Eclipse Arms and Canopy OEM Installation Manual and reposition the arms as necessary.		

AUTO RETRACT SYSTEMS

The following procedures are intended to aid the service technician to logically resolve operational issues with the auto-retract installation.

NOTES:

1. Refer to the appropriate wiring diagram for the system being tested:
2. In the charts below, YES is a positive response to the test; NO is a negative response.
3. After July 2010, the Direct Response system uses an On/Off switch in place of the "Mode" switch. The auto-retract system is active when the switch is in the ON position and disabled when the switch is OFF.
4. The Extend/Retract switch is also referred to as the Patio switch.
5. Original switches are labeled Series I. New switch configuration is labeled Series III.

D04 THE AWNING OPERATES IN REVERSE OF THE SWITCH PLATE MARKINGS			
<i>For series I switches, the Mode switch must be in the POWER ON or AUTO-RETRACT ON positions for the key FOB to work. For series III switches, the On/Off switch must be ON.</i>			
A	(Series I only) Confirm Switch is mounted in correct position and correctly oriented.. The lens or lens caps should be on the bottom of the switch as indicated by the shaded area.	YES	Switch mounted OK; go to test B
		NO	Carefully remove the switch, rotate 180 and reinstall in panel. Reconnect harnesses and retest
B	Confirm switch is wired correctly. Use the wiring diagram and confirm the wires from the switch to the connector are correctly placed.	YES	Switch wired OK; go to test C
		NO	Rewire the switch according to the wiring diagram
C	Confirm Operation of EXTEND/RETRACT Switch Use test procedure "CT01 Testing a Switch and Harness" on page 21.	YES	Switch and Harness OK; go to test D
		NO	Repair or replace as recommended in procedure and retest
D	Is the control box operating correctly? Use test procedure "CT02 Testing the Control Box" on page 22.	YES	Power and Control Box OK
		NO	Repair as recommended in procedure and retest

D05 THE AWNING DOES NOT EXTEND AND/OR RETRACT USING THE EXTEND/RETRACT SWITCH			
<i>For series I switches, the Mode switch must be in the POWER ON or AUTO-RETRACT ON positions for the key FOB to work. For series III switches, the On/Off switch must be ON.</i>			
A	Confirm Power Supply Is vehicle battery or power source providing 10V to 14V to the control box.	YES	Go to test B
		NO	Correct as required
B	Test Motor Function 1. Disconnect Motor Plug from control box. 2. Attach jumper leads to the emergency terminals located on the back of the motor head. 3. Connect the other ends of the jumpers to a 12-18VDC power source (i.e. drill battery). It may be necessary to try then reverse the leads on the battery and try again. 4. Does the awning move?	YES	Motor is good, go to test C
		NO	Motor is defective - replace
C	Test wire continuity between motor and control box connector.	YES	Wire continuity good – go to test D
		NO	Repair as required
D	(Series I only) Confirm Operation of MODE Switch Use test procedure "CT01 Testing a Switch and Harness" on page 19.	YES	Switch and harness OK; go to test E
		NO	Repair or replace as recommended in procedure and retest
E	Confirm Operation of EXTEND/RETRACT Switch Use test procedure "CT01 Testing a Switch and Harness" on page 21.	YES	Switch and harness OK; go to test F
		NO	Repair or replace as recommended in procedure and retest
F	Is the control box operating correctly? Use procedure "CT02 Testing the Control Box" on page 22.	YES	Control box OK
		NO	Repair as recommended in procedure and retest

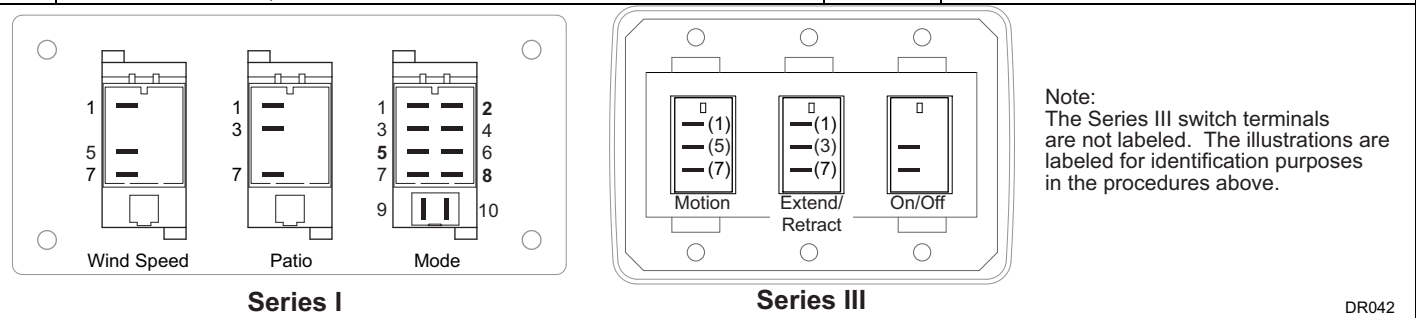
D06A AWNING DOES NOT AUTO-RETRACT DURING WINDY CONDITIONS -WINDSMART			
<i>NOTE: The mode switch must be set to Auto-Retract ON.</i>			
A	Confirm that the retract function works using the EXTEND/RETRACT switch	YES	Function works using the switch; go to test B
		NO	Function does not work with switch; go to procedure D01 on page 17
B	Test Anemometer		
	1. Do the anemometer cups spin freely?	YES	Go to step B2
		NO	Anemometer defective - replace
	2. Test signal from anemometer: 2.1. Remove anemometer connector from control box; 2.2. Place an ohmmeter between pins of connector; 2.3. Have a helper SLOWLY turn the anemometer: Does the circuit open and close? It should open and close once for every revolution. When closed, the meter should read approximately 1000ohms	YES	Plug the connector into the control box; Go to "Testing The Control Box"
		NO	The circuit stays open or stays closed or the ohmmeter reads more that 1000ohms (2x or more); go to step B3
	3. Test the wire continuity between the connector and the anemometer.	YES	Continuity OK; replace anemometer
NO		Repair or Replace wires as required	
D06B AWNING DOES NOT AUTO-RETRACT DURING WINDY CONDITIONS –DIRECT RESPONSE			
<i>NOTE: For series I switches, the Mode switch must be in the POWER ON or AUTO-RETRACT ON positions for the key FOB to work. For series III switches, the On/Off switch must be ON.</i>			
A	Confirm that the retract function works using the EXTEND/RETRACT switch	YES	Function works using the switch; go to test B
		NO	Function does not work with switch; go to procedure D01
B	Test Motion Sensor		
	<i>NOTE: A sensor tester is now available from Carefree. Follow the instructions included with the tester. or Follow the steps below.</i>		
	1. Confirm cable is plugged into connector on box marked "Motion Sensor"	YES	Go to step 2
		NO	Correct as required and test.
	2. Remove cable from box and inspect connector on cable. Connector should be wired as shown in the wiring diagram (page 23 or page 24).	YES	Wired OK, go to step 3
		NO	Remove connector and replace
3. Unplug sensor from control box 3.1. Connect a second sensor into control box. 3.2. Set the control switches for the auto retract function 3.3. Hold the second sensor vertically and gently move up and down.	YES	Awning retracts; original sensor defective - replace	
	NO	Awning does not retract; control box defective - replace	

D07 AWNING DOES NOT MOVE WHEN KEY FOB BUTTONS ARE PUSHED			
<i>Before continuing, ensure that the system is working correctly at the switch panel. If not, go to DO1" The Awning Does Not Extend and/or Retract Using the Extend/Retract Switch".</i>			
<i>NOTE: For series I switches, the Mode switch must be in the POWER ON or AUTO-RETRACT ON positions for the key FOB to work. For series III switches, the On/Off switch must be ON.</i>			
A	Remove battery from Key FOB and test. Should measure between 2V-3V.	YES	Battery OK - Key FOB does not work – go to test B
		NO	Replace battery
B	Confirm that the Receiver is programmed for the Key FOB (refer to page 28)		If system does not work; go to step C
C	Program a second Key FOB (refer to page 28) and test	YES	2nd Key FOB works. 1st Key FOB is defective.
		NO	2nd Key FOB does not work; go to step D
D	Check the cable between the RR24 and Direct Response control box. As a continuity check, Pin 1 of connector 1 goes to Pin 1 of connector 2; pin 2 goes to pin 2; pin 3 goes to pin 3 and pin 4 goes to pin 4	YES	Cable is OK. Confirm that cable is securely plugged in; go to step 4
		NO	Repair or Replace as required.
D	Replace the RR24 Receiver and test	YES	System works OK. 1st receiver is defective
		NO	System does not work. Reinstall 1st receiver; go to step E
E	Replace Auto-Retract control box		

COMMON TEST PROCEDURES

These common tests are referred to in the diagnostics procedures.

CT01 TESTING A SWITCH AND HARNESS				
<i>Disconnect the switch harness connectors from the control box and remove the plate and switches from the mounting surface.</i>				
A	(Series I) Confirm switch is mounted in correct position and correctly oriented. The lens or lens caps should be on the bottom of the switch as indicated by the shaded area	YES	Switch mounted OK; go to test B	
		NO	Carefully remove the switch, rotate 180° and reinstall in panel. Reconnect harnesses and retest	
B	Confirm switch is wired correctly. Use the wiring diagram and confirm the wires from the switch to the connector are correctly placed.	YES	Switch wired OK; go to test C	
		NO	Rewire the switch according to the wiring diagram	
C	Test the Switch function (this test requires a continuity tester) <ul style="list-style-type: none"> Do not remove the wires from the back of the switch. From the numbered terminal of the switch, trace the wire to the connector; place the tester leads on the connector pins. The pins are not marked on the connector. Steps 1 through 5 are for the Extend/Retract and Wind Speed Switches. Refer to step 6 for the Series I Mode Switch. 			
	1. Using a continuity tester, place one lead on common pin (3 for Extend/Retract, 5 for Windspeed). Place the second lead on pin 1. Put the switch in the center position and measure the continuity. Move the second lead to pin 7, measure the continuity. Circuit should be open	YES	Circuit(s) are open, go to step 2	
		NO	Circuit(s) are closed (continuity exists); switch assy is defective-replace	
	2. Place the second lead on pin 1. Press the switch down ("Extend" for Extend/Retract, "Lo" for sensitivity). Is circuit closed?	YES	Circuit closed; go to step 3	
		NO	Circuit open, switch defective - replace	
	3. Leave the leads in position of step 2. Press the switch up ("Retract" for Extend/Retract, "Hi" for sensitivity). Is the circuit open?	YES	Circuit open: go to step 4	
		NO	Circuit closed, switch defective - replace	
	4. Move the second lead to pin 7. Press the switch down ("Extend" for Extend/Retract, "Lo" for sensitivity). Is the circuit open?	YES	Circuit open: go to step 5	
		NO	Circuit closed, switch defective - replace	
	5. Leave the leads in position of step 4. Press the switch up ("Retract" for Extend/Retract, "Hi" for sensitivity). Is the circuit closed?	YES	Circuit closed; go to step 6	
	NO	Circuit open, switch defective - replace		
6. <i>For Series I Mode Switch only</i> - Follow steps 1 through 5 using pins 5, 2 and 8 respectively	YES	Switch tests OK, return to diagnostic		
	NO	Test Failed; switch defective		
7. <i>For Series III On/Off Switch only</i> - Place on lead on each terminal. With switch in OFF is the circuit open? With the switch in ON, is the circuit closed?	YES	Switch tests OK, return to diagnostic		
	NO	Test Failed; switch defective		



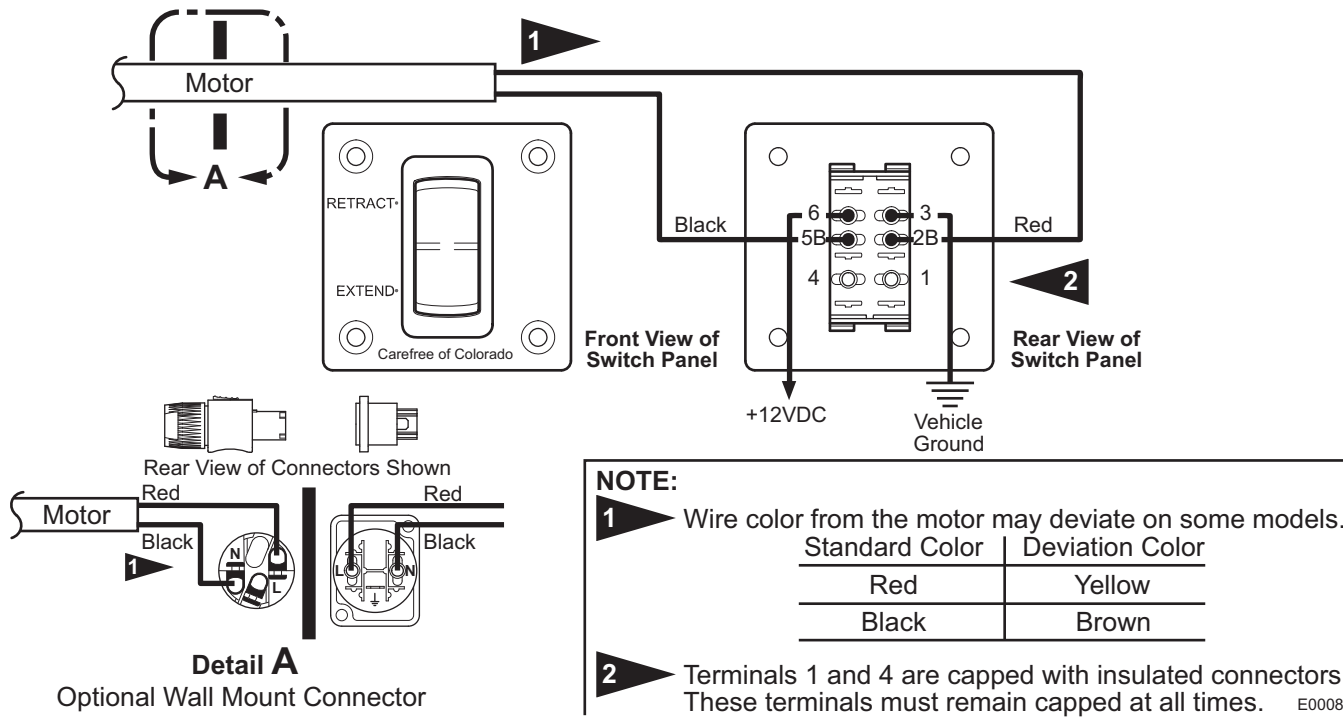
DR042

CT02 TESTING THE CONTROL BOX			
<i>This test had been developed as a bench test of the control box.</i>			
A	Test Power		
	1. Check Fuse	YES	Fuse OK; go to step A2
		NO	Replace fuse. If the fuse continues to blow, this may be an indication of a situation with the power lines to the control box or with the control box. If so, replace fuse and go to step A2
	2. Confirm power to the control box:	YES	Voltage and Polarity is correct; go to B
	2.1. Remove the power connector at control box	YES	Voltage is correct but polarity is reversed. Reverse wires and retest.
2.2. Test voltage across terminal. Value should be between 10V and 14V. Polarity must match symbols on control box.	NO	Voltage is less than 10V. Check vehicle power sources and correct as required. If power source OK, check continuity to power plug and repair as required	
B	Test Control Box Function		
	<i>For these tests:</i>		
	<ul style="list-style-type: none"> • Refer to the appropriate wiring diagram • Remove all plugs from the control box except for the power connector. • Place the positive lead of a voltmeter on pin B (motor) and the negative lead of voltmeter on pin A (motor). 		
	1. Measure the "Power On" Setting	YES	Voltage OK; go to step B1.4
	1.1. Place a jumper between pins 6 and 8 (this will simulate power ON)	NO	Control box is defective - replace
	1.2. Place a second jumper between pins 11 and 12 (this will simulate the "Retract Function")		
	1.3. Does voltage equal -10V to -14V?		
	1.4. Move the second jumper between pins 12 and 13 (this will simulate the "Extend Function")	YES	Voltage OK; go to step B2
	1.5. Does voltage equal +10V to +14V?	NO	Control box is defective - replace
	2. Measure the "Auto-Retract On" Setting YES Voltage OK; go to step B2.4	YES	Voltage OK; go to step B2.4
2.1. Place a jumper between pins 7 and 8 (this will simulate "Auto-Retract On")	NO	Control box is defective - replace	
2.2. Place a second jumper between pins 11 and 12 (this will simulate the "Retract Function")			
2.3. Does voltage equal -10V to -14V?			
2.4. Move the second jumper between pins 12 and 13 (this will simulate the "Extend Function")	YES	Voltage OK; reconnect plugs and return to diagnostic	
2.5. Does voltage equal +10V to +14V?	NO	Control box is defective - replace	

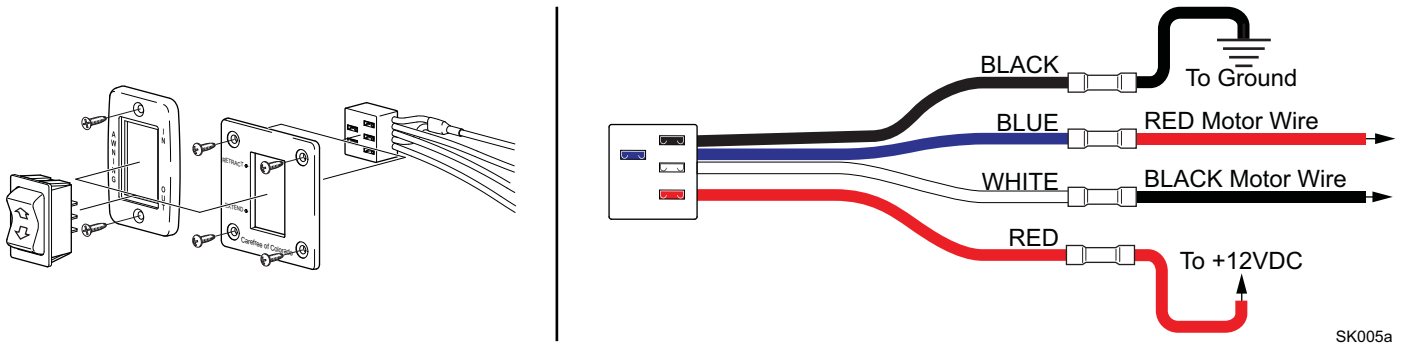
CT03 TESTING THE BATTERY AND CHARGER			
<i>This test applies only to battery installations.</i>			
<i>NOTE: for safety and shipping, new batteries are shipped without a charge.</i>			
A	Test Battery		
	1. Using a volt meter, test the battery voltage.	YES	Voltage measures between 14.5 to 17.0 Volts - return to system diagnostic D01
		NO	Voltage measures less than 14.5V - Charge battery and retest. If voltage is still less than 14.5 V - go to B
B	Test Charger		
	1. Observe the red and green LEDs on the charger. Does the Green LED flash (charging) then stay on steady (charge complete)?	YES	If battery still measures below 14.5V, battery pack defective - replace
		NO	Red LED is on - go to step 2
	2. Jiggle the charger connector in the end cap. Does the green led flash?	YES	End cap connector is faulty - replace end cap assembly
		NO	Check wires - wires OK, charger defective - replace

WIRING DIAGRAM - SINGLE SWITCH PRIOR TO JULY 2010

This switch hardware has been discontinued. For wiring replacement switches, use instructions provided with the Single Switch Kit.



WIRING DIAGRAM - SINGLE SWITCH - JULY 2010 AND ON

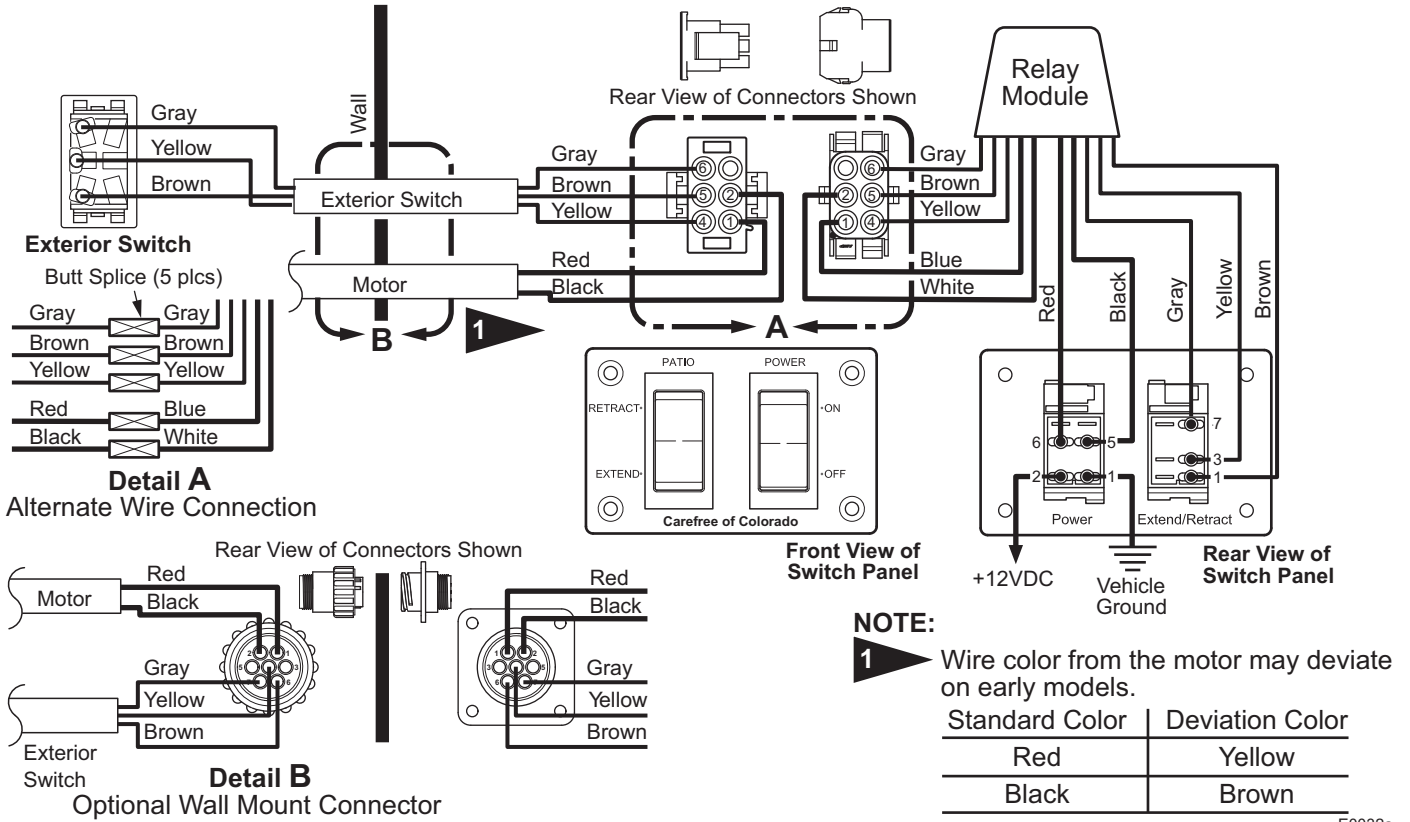


NOTES:

1. If connector block is oriented with wires to the left, reverse the motor wires. WHITE connector block wire goes to RED motor wire, BLUE connector wire goes to BLACK motor wire.
2. For first time replacement installation, refer to installation instructions furnished with replacement switch kit.

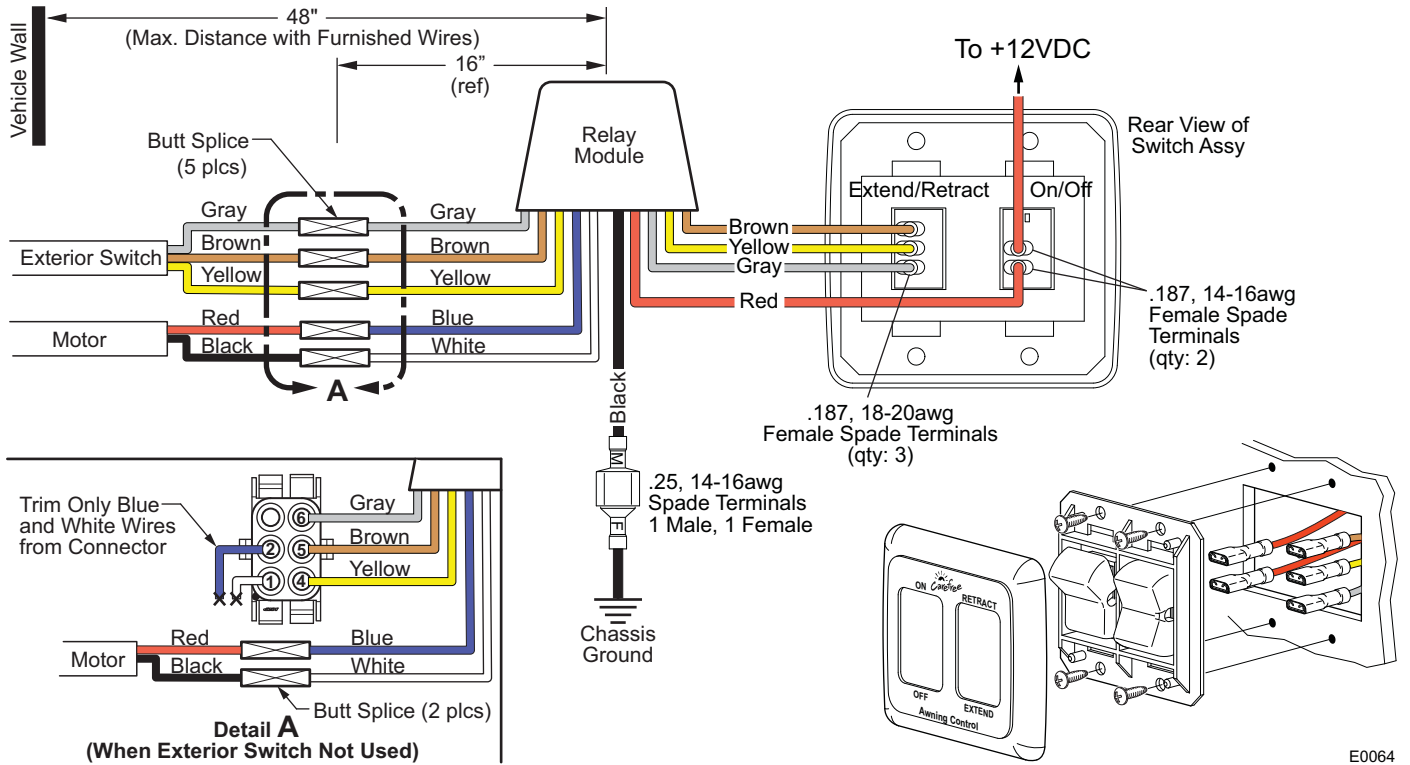
WIRING DIAGRAM - MULTIPLE SWITCH PRIOR TO JULY 2010

This switch hardware has been discontinued. For wiring replacement switches, use the schematic below.



E0032a

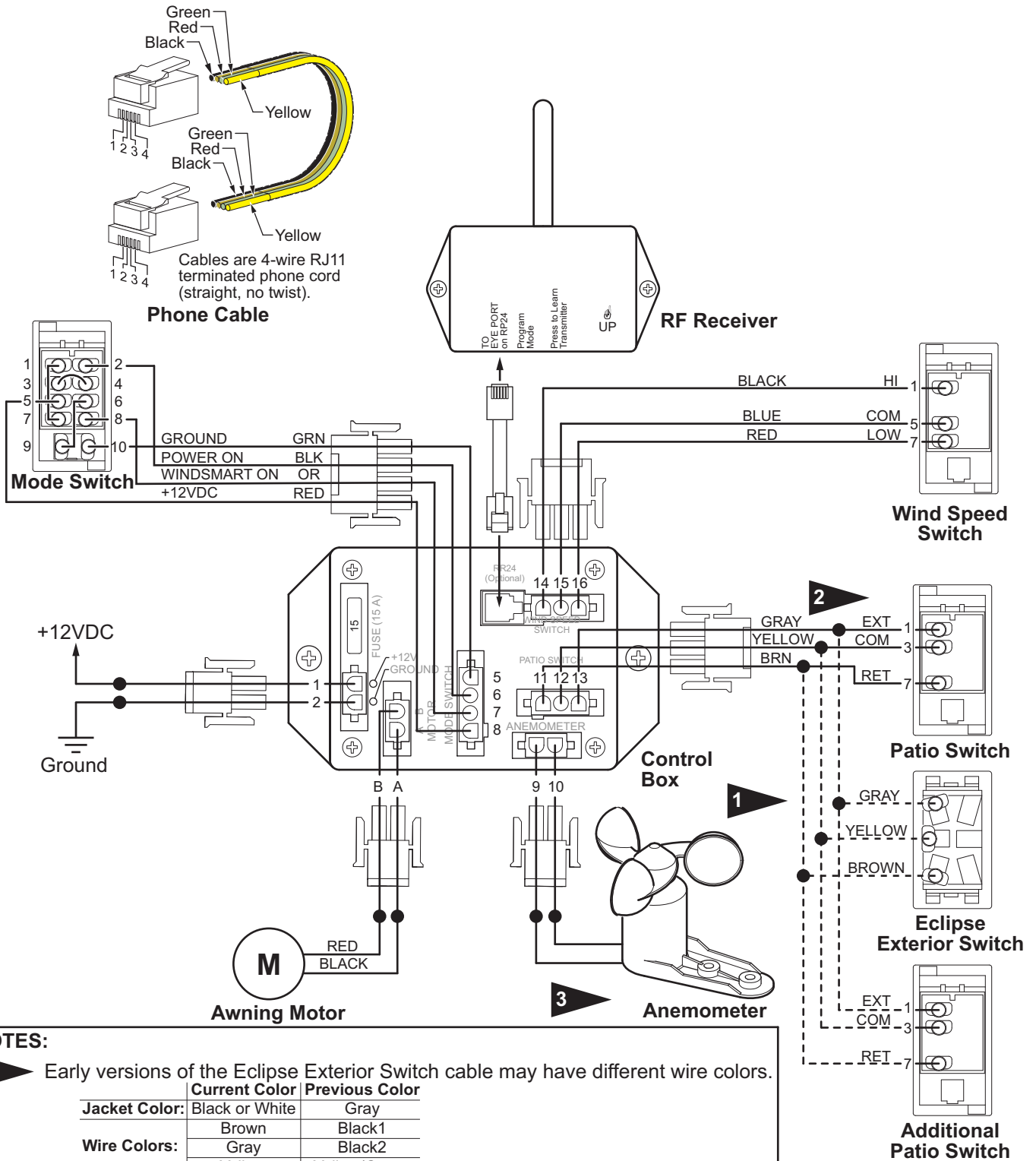
WIRING DIAGRAM - MULTIPLE SWITCH AFTER JULY 2010



E0064

WIRING DIAGRAM - WINDSMART

The system has been discontinued in 2007 and not available for original or upgrade installations. Superseded by the 12V Direct Response System.



NOTES:

1 Early versions of the Eclipse Exterior Switch cable may have different wire colors.

	Current Color	Previous Color
Jacket Color:	Black or White	Gray
Wire Colors:	Brown	Black1
	Gray	Black2
	Yellow	Yellow/Green

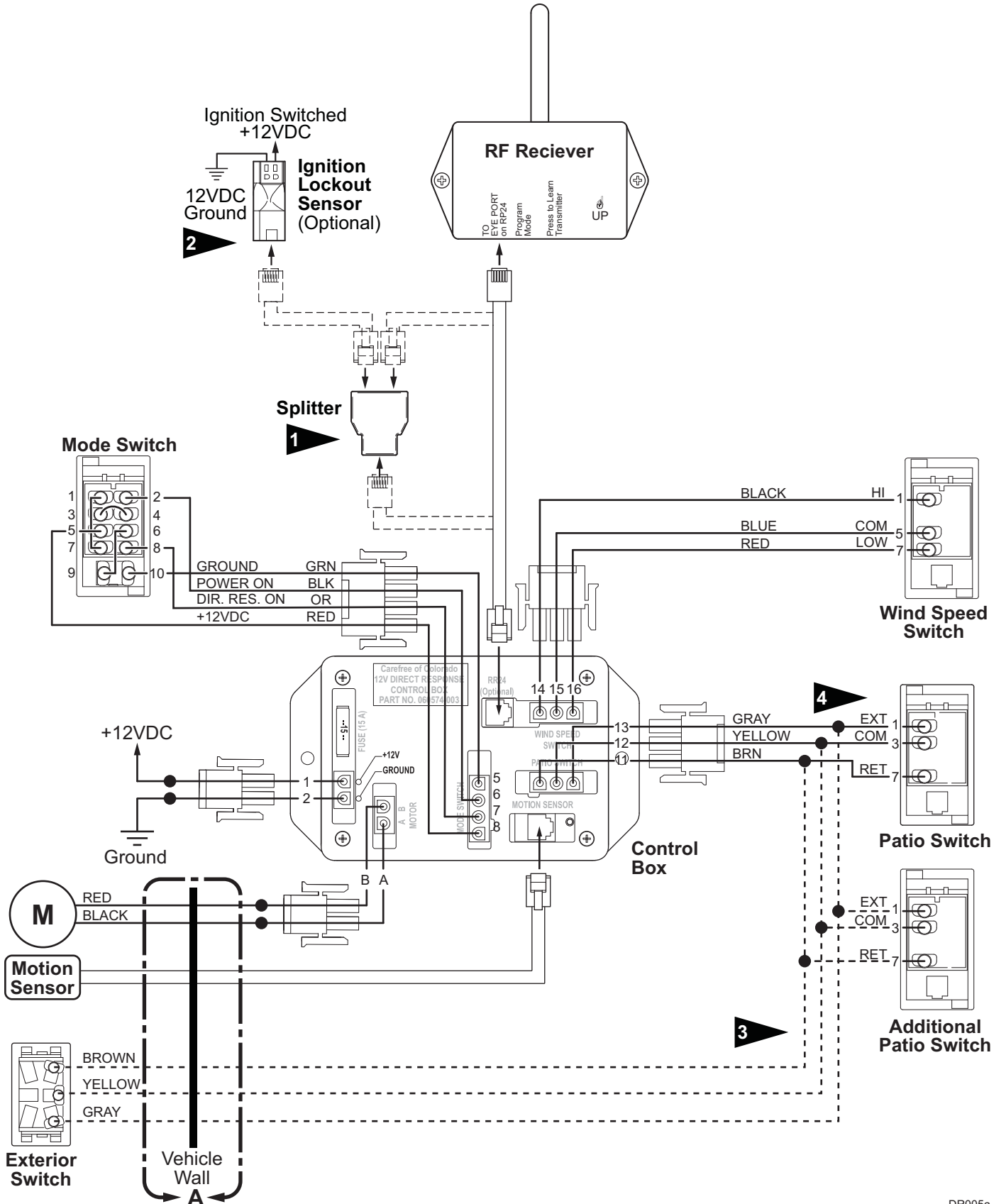
2 Early versions of the Patio Switch harness may have different wire colors.

	Current Color	Previous Color
	Brown	Black
	Gray	Red
	Yellow	Blue

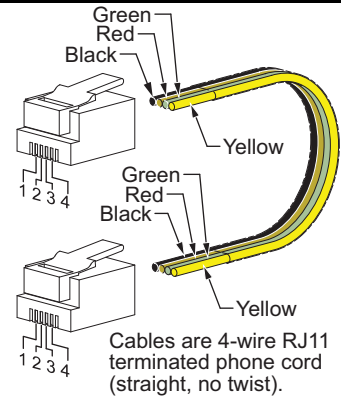
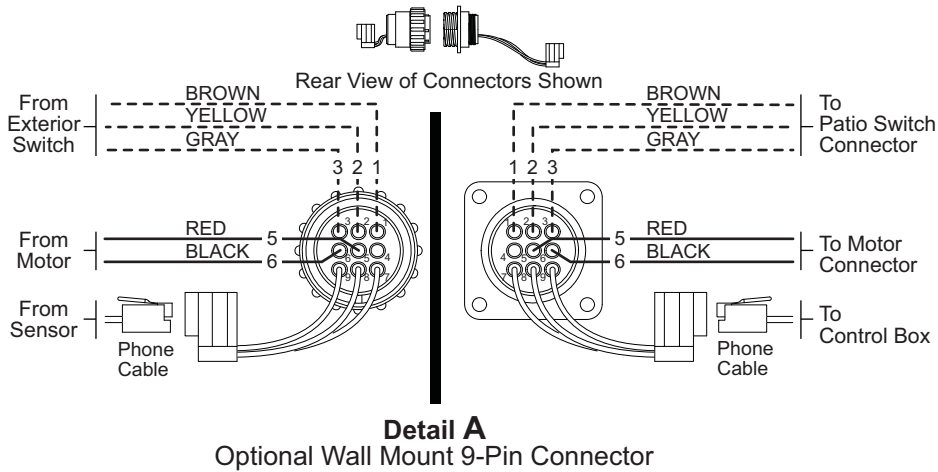
3 Wire colors for anemometer are not pin specific.

WIRING DIAGRAM - DIRECT RESPONSE PRIOR TO JULY 2010

This switch hardware shown has been discontinued. For wiring replacement switches, use the schematic on the page 28 (Wiring Diagram - Direct Response after July 2010).



DR005a



Detail B
Phone Cable

DR005b

NOTES:

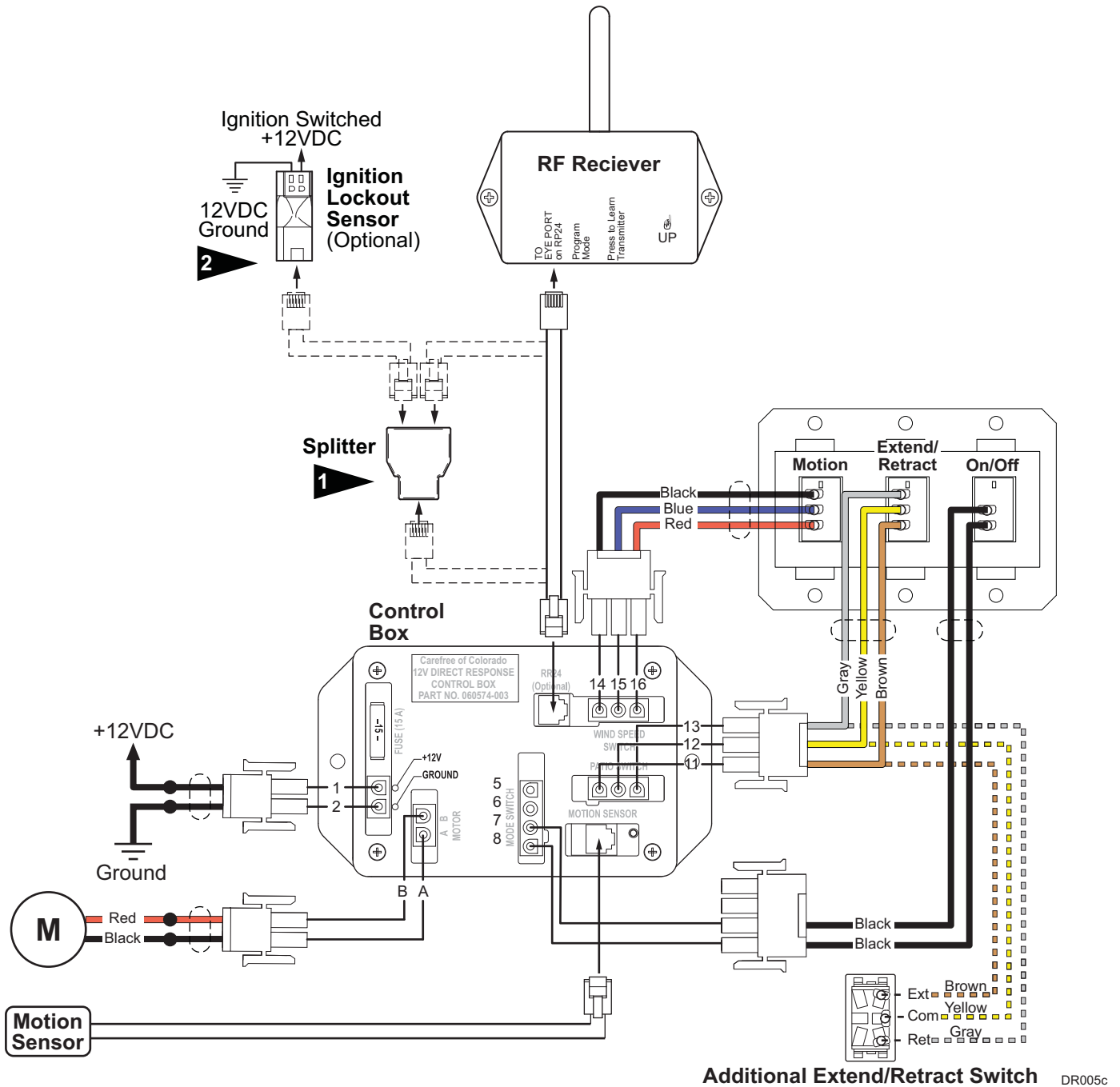
- 1** Splitter is used only when the optional Lock-Out Sensor is installed. Connect the RF receiver directly to the control box if Lock-Out is not installed.
- 2** The optional Lock-Out Sensor can only be used with control boxes marked "p/n 060574-003". Wires for the sensor are not pin specific.
- 3** Early versions of the Eclipse Exterior Switch cable may have different wire colors.

	Current Color	Previous Color
Jacket Color:	Black or White	Gray
	Brown	Black1
Wire Colors:	Gray	Black2
	Yellow	Yellow/Green

- 4** Early versions of the Patio Switch harness may have different wire colors.

	Current Color	Previous Color
	Brown	Black
	Gray	Red
	Yellow	Blue

WIRING DIAGRAM - DIRECT RESPONSE AFTER JULY 2010



NOTES:

1 Early versions of the Eclipse Exterior Switch cable may have different wire colors.

	Current Color	Previous Color
Jacket Color:	Black or White	Gray
Wire Colors:	Brown	Black1
	Gray	Black2
	Yellow	Yellow/Green

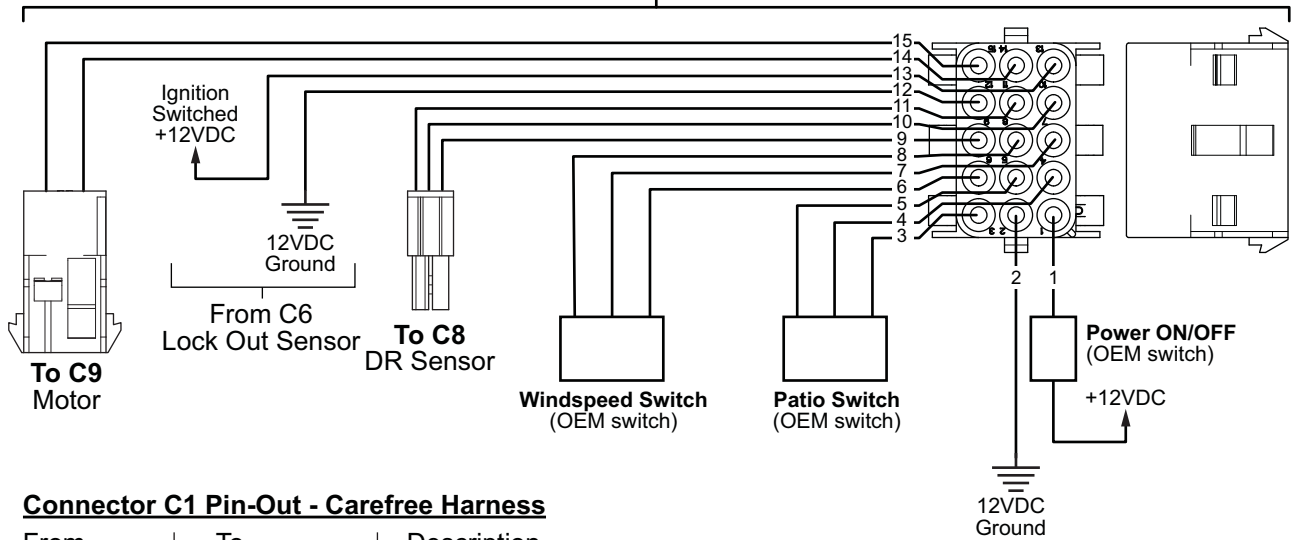
2 Splitter is used only when the optional Lock-Out Sensor is installed. Connect the RF receiver directly to the control box if Lock-Out is not installed.

3 The optional Lock-Out Sensor can only be used with control boxes marked "060574-003". Wires for the sensor are not pin specific.

WIRING DIAGRAM - DIRECT RESPONSE W/ PRE WIRED HARNESS

OEM Harness (Simplified)

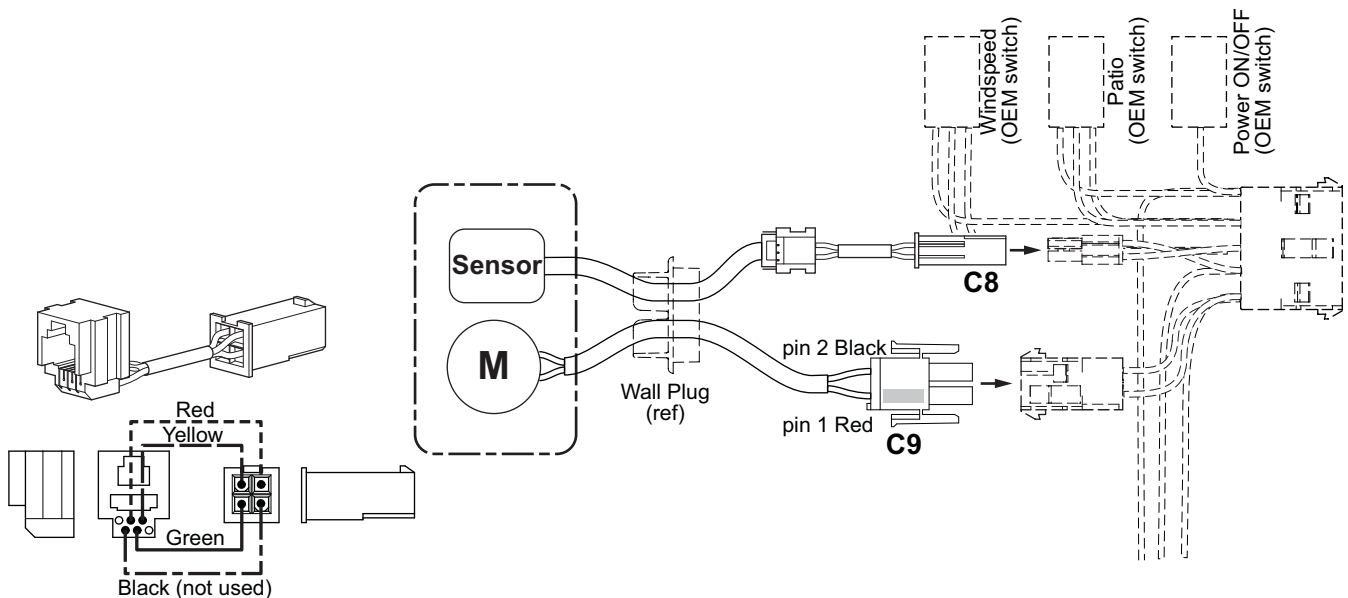
refer to OEM literature for specific harness configuration and details



Connector C1 Pin-Out - Carefree Harness

From	To	Description
C1 pin 1	C2 pin 2	+12VDC Power
C1 pin 2	C2 pin 1	12VDC Ground
C1 pin 3	C4 pin 1	Patio Switch, Input for Retract
C1 pin 4	C4 pin 2	Patio Switch, Common (DC Ground)
C1 pin 5	C4 pin 3	Patio Switch, Input for Extend
C1 pin 6	C5 pin 1	Wind Speed, Low
C1 pin 7	C5 pin 2	Wind Speed, Common (DC Ground)
C1 pin 8	C5 pin 3	Wind Speed, High
C1 pin 9	C15 "pin 4"	Motion Sensor, Data Signal
C1 pin 10	C15 "pin 3"	Motion Sensor, +12VDC power
C1 pin 11	C15 "pin 2"	Motion Sensor, Common (DC Ground)
C1 pin 12	C6 pin 1	Ignition Lockout, Signal Input 1
C1 pin 13	C6 pin 2	Ignition Lockout, Signal Input 2
C1 pin 14	C3 pin 2	Motor, A Input
C1 pin 15	C3 pin 1	Motor, B Input

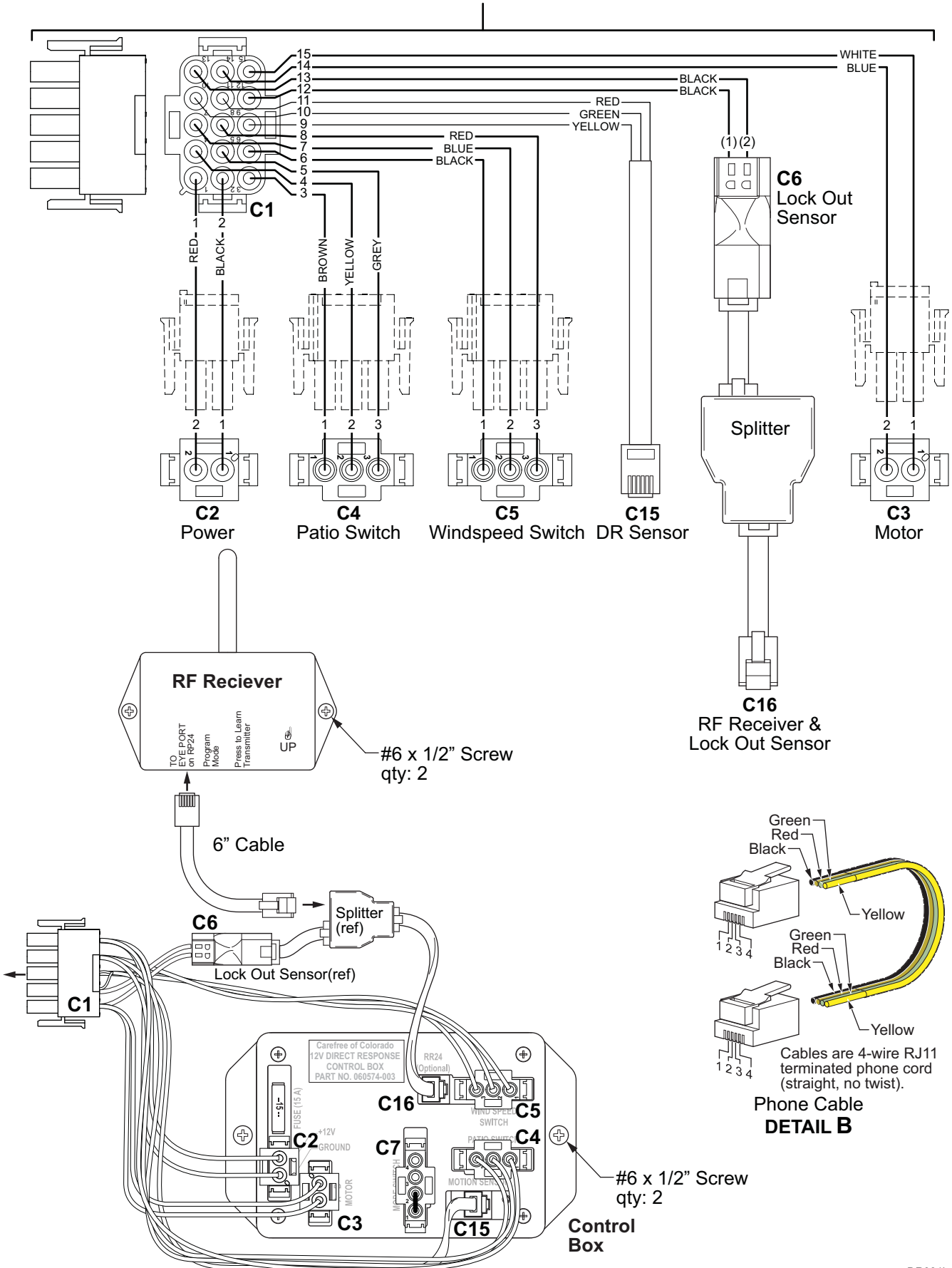
refer to Detail B



Phone Cable Adaptor
DETAIL A

DR031b

Carefree Harness



DR031b

LED LIGHTING

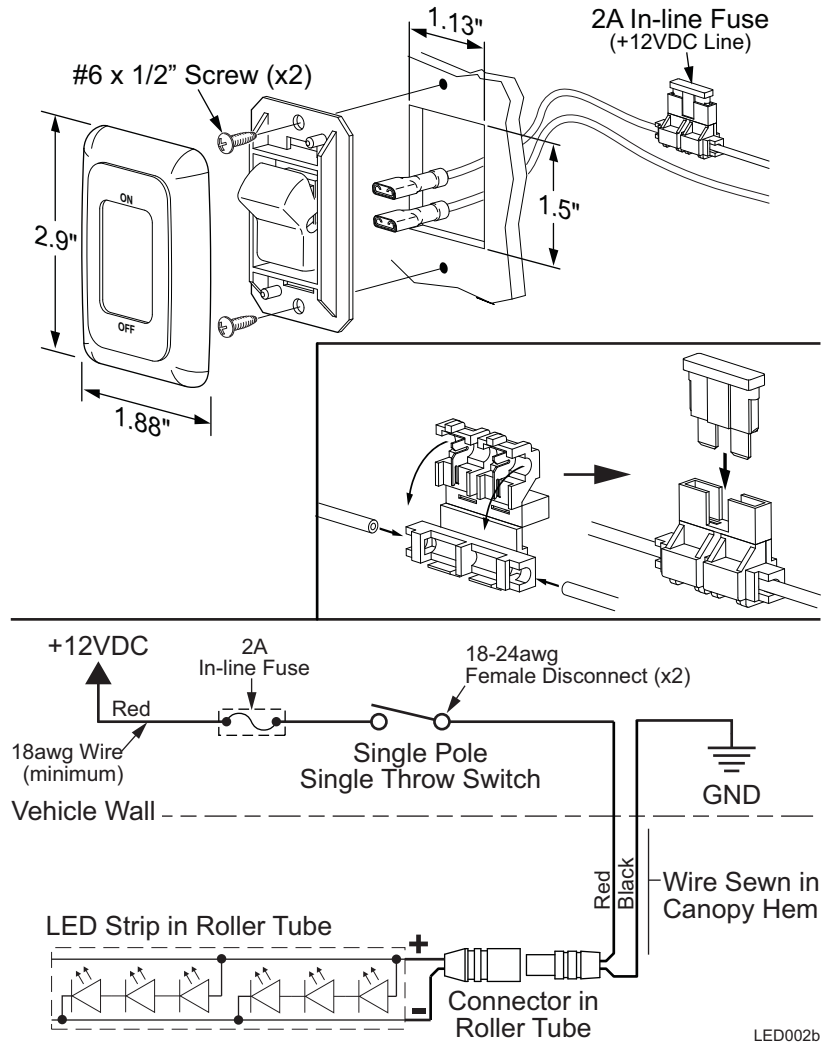
SWITCH INSTALLATION

NOTE: Installers may choose to furnish the control switch. The installation requires that the power line (+12VDC) be attached to a dedicated 2A circuit breaker or a 2A in-line fuse must be installed between the switch and power source. For easy access, locate the fuse close to the switch.

1. Determine the location of the switch.
2. At the switch location, cut a 1 1/8" x 1 1/2" hole.
3. Wire the switch as shown below. Wire terminals at the switch are .187, 18-24 awg female disconnects.

NOTE: Allow adequate slack in the 12VDC power line so that the in-line fuse (installed in step 4) can be accessed from behind the switch.

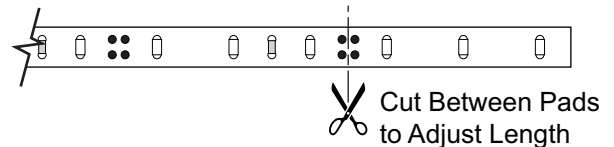
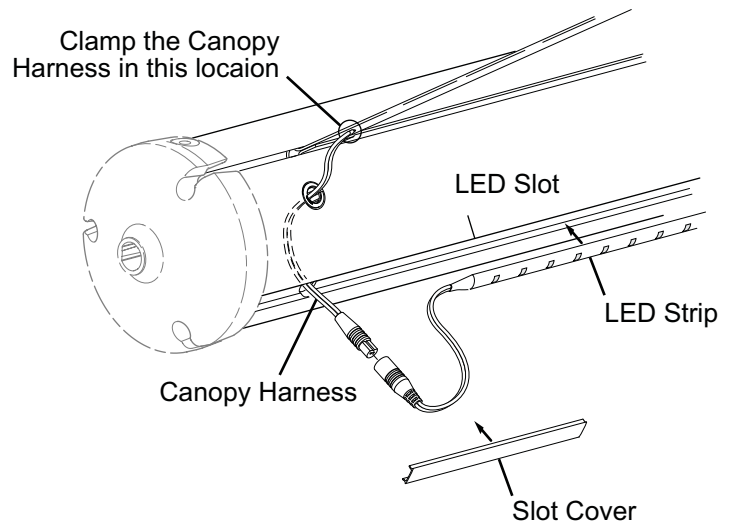
4. Install the in-line fuse:
 - 4.1. Near the switch, cut the red 12VDC power line to the switch. Do not strip the insulation.
 - 4.2. Insert a wire end into one of the wire channels until it butts up against the stop.
 - 4.3. Fold that half of the connector body over until the element contacts the wire. Use pliers to crimp the connector closed.
 - 4.4. Repeat for the second wire end.
 - 4.5. Slide the fuse into the fuse port. Ensure that is firmly seated.
5. Press the in-line fuse, wires and switch into the mounting hole. Secure the switch using two (2) #6 x 1/2" screws.
6. Snap the switch bezel over the switch frame.



LED002b

REPLACING THE LED STRIP

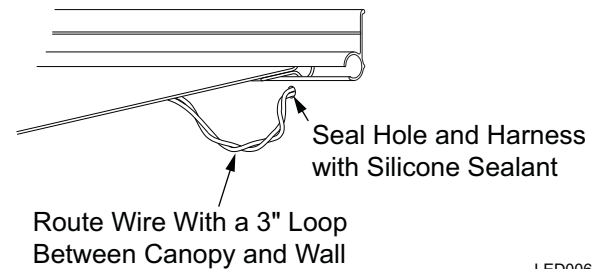
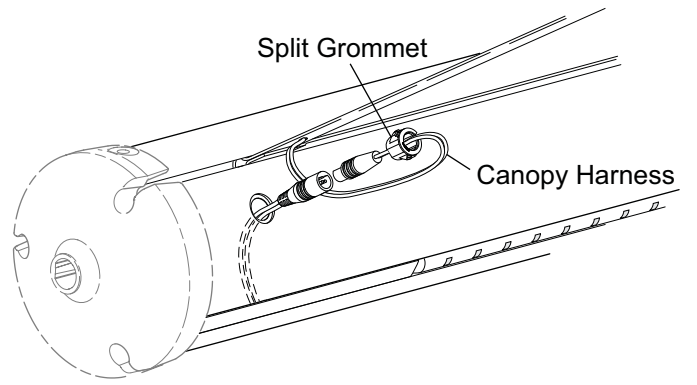
1. Extend the awning out completely.
2. Disconnect power.
3. Use a non-permanent marker to mark the location of the ends of the LED strip.
4. Clamp the canopy harness in the canopy to prevent the wire from pulling up into the seam of the canopy. This can be done with a paper clip or similar device that will not damage the wires or canopy.
5. Remove the slot covers from the ends of the LED strip and set aside.
6. Carefully pull the wires and connectors out of the roller tube through the hole that is located behind the slot cover location. Disconnect the connectors.
7. Remove the existing LED strip.
8. Clean the slot to remove any dirt and tape residue.
9. Starting at the reference mark made previously, remove the release paper from the back of the new strip and press the strip into the LED slot.
10. At the end of the roller tube, cut the LED strip to match the mark made previously. To trim the LED strip, always cut between the 4-pad cluster as shown.
11. Connect the canopy harness connector and LED connector. Then carefully push the connectors into the roller tube.
12. Press the slot covers into the LED slot.
13. Restore power and test.



LED005a

CANOPY REPLACEMENT WITH LED LIGHTING

1. Extend the awning out completely.
2. Remove the split grommet from the roller tube.
3. Carefully pull the wires and connectors out of the roller tube. Disconnect the connectors.
4. Clamp the LED harness connector outside the roller tube to prevent it from falling back into the roller tube. This can be done with a paper clip or similar device that will not damage the wires.
5. At the awning rail, clip the harness close to the canopy. Clamp the harness going into the vehicle to prevent it from falling in the wall.
6. Replace the canopy per the standard procedures for the awning.
7. After the new canopy has been installed:
 - 7.1. Connect the canopy harness connector and LED connector. Then carefully push the connectors into the roller tube.
 - 7.2. Place the split grommet over the canopy harness and press the grommet into the hole of the roller tube.



LED006

- 7.3. If the canopy has a metal wrap, attach the wire to the inside of the wrap (see page 34) then proceed with the next step.
8. At the vehicle wall:
 - 8.1. At the vehicle wall, route the new canopy harness through the wall to the switch.

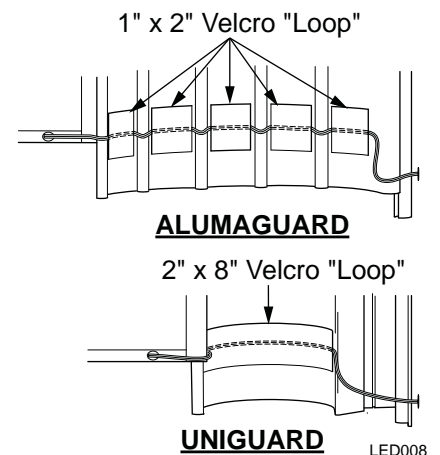
Tip: Tie the new harness to the old harness that was cut previously. Use the old harness to pull the new harness through the wall to the desired location.
 - 8.2. At the vehicle wall, provide a 3" loop of harness between the canopy and wall. Seal the wall entrance hole and harness with a quality silicone sealant.
 - 8.3. Connect the new harness to the switch. Two (2) .187, 18-24 awg female disconnects are provided if connecting to a switch.
 - 8.4. **Alternate method:** At the wall, splice the new harness to the existing harness using 24 awg butt connectors. Push the connectors into the vehicle wall. Seal the wall entrance hole and wires with a quality silicone sealant.

NOTE: Be sure to allow enough harness from the canopy to provide a 3" loop of harness and adequate length for the connectors to be pushed inside the wall before sealing the hole and harness with a quality silicone sealant.

ATTACHING THE HARNESS TO A METAL WRAP

When replacing the canopy only or replacing the canopy harness, it is necessary to attach the cable to the inside of the metal wrap.

1. Open the awning to access the inside surface of the metal wrap.
2. Clean the inside surface of the metal wrap.
3. Attach the harness to the inside surface.
 - 3.1. **For Alumaguard:** Use 1" by 2" pieces of Velcro (loop) taping the harness on each slat between the joints.
 - 3.2. **For Uniguard:** Tape the harness to the inside surface using a 2" x 8" piece of Velcro (loop).

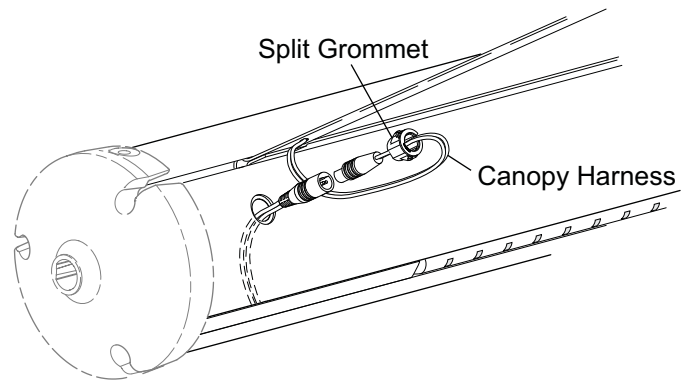


LED008

CANOPY HARNESS REPLACEMENT

NOTE: Square cut canopies uses a soft rivet in the hem next to the awning rail to hold the harness in place. Tapered canopies do not use the rivet. If replacing a harness in a tapered canopy, skip steps 6 and 11.1.

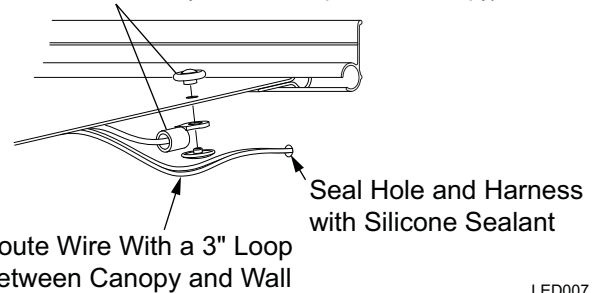
1. Extend the awning out completely.
2. Locate and remove the split grommet from the roller tube.
3. Carefully pull the wires and connectors out of the roller tube. Disconnect the connectors.
4. Clamp the LED harness connector outside the roller tube to prevent it from falling back into the roller tube. This can be done with a paper clip or similar device that will not damage the wires.



5. At the awning rail, clip the harness close to the canopy. Clamp the harness going into the vehicle to prevent it from falling in the vehicle wall.

Attach Ring Terminal to Canopy with Soft Rivet
(Ring Terminal and Rivet Only Used with Square Cut Canopy)

6. For square cut canopies only: Remove the rivet from the canopy. This is a soft rivet and can be cut off with side cutters.



7. At the roller tube, remove the connector from the canopy harness.

8. Attach the new harness to the old harness.

9. Carefully use the old harness to pull the new harness through the hem of the canopy.

10. After the new harness has been routed in the canopy hem:

10.1. Connect the canopy harness connector and LED connector. Then carefully push the connectors into the roller tube.

10.2. Place the split grommet over the canopy harness and press the grommet into the hole of the roller tube.

11. At the vehicle wall:

11.1. For square cut canopies only: Attach the new harness terminal ring to the canopy using a new rivet.

11.2. If the canopy has a metal wrap, attach the wire to the inside of the wrap (see page 34) then proceed with the next step.

11.3. At the vehicle wall, route the new canopy harness through the wall to the switch.

Tip: Tie the new harness to the old harness that was cut previously. Use the old harness to pull the new harness through the wall to the desired location.

11.4. At the vehicle wall, provide a 3" loop of harness between the canopy and wall. Seal the wall entrance hole and harness with a quality silicone sealant.

11.5. Connect the new harness to the switch. Two (2) .187, 18-24 awg female disconnects are provided if connecting to a switch.

11.6. Alternate method: At the wall, splice the new harness to the existing harness using 24 awg butt connectors. Push the connectors into the vehicle wall. Seal the wall entrance hole and wires with a quality silicone sealant.

NOTE: Be sure to allow enough harness from the canopy to provide a 3" loop of harness and adequate length for the connectors to be pushed inside the wall before sealing the hole and harness with a quality silicone sealant.

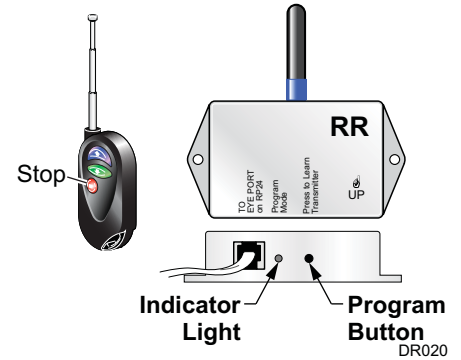
LED007

STANDARD SERVICE PROCEDURES

PROGRAMMING THE REMOTE RECEIVER

Early transmitters & receivers operate on a frequency of 418MHz. Models for 2007 & on operate on 433MHz. The transmitter and receiver frequencies must match. Identifying the transmitter frequency is described under the operational notes below.

1. Power to the control box must be on.
2. Press and release the "Press to Learn Transmitter" button on the bottom of the receiver box. The receiver is in program mode when the red light comes on.
3. For Gray Button Key FOBS: Press and release ANY button on the remote. It is recommended to use the STOP button. The red light will go out after the receiver learns the remote signal.



⚠ CAUTION When the receiver learns the transmitter signal, the system will perform the operation of the button pressed. Example: pressing an "extend" button during the learning phase will cause the awning to extend when the receiver learns the signal. Use caution to avoid unexpected movement by the awning.

4. For Key FOBS w/ Antenna: Press and release the STOP button on the remote. The red light will go out after the receiver learns the remote signal.

NOTE: Pressing the stop button will cause the blue up arrow button to default as the close (retract) function. If a function button is pressed to train the receiver, it will be programmed as the close (retract) button. Example: Pressing the bottom button will program the bottom button for retract and the top button as extend.

5. Repeat for each additional remote.

Operational Notes:

1. Transmitter and receiver must match in frequency (418 MHz or 433 MHz).

1.1. Key FOBS:

1.1.1. The gray button key FOBS are marked with a label for 418 MHz or 433 MHz.

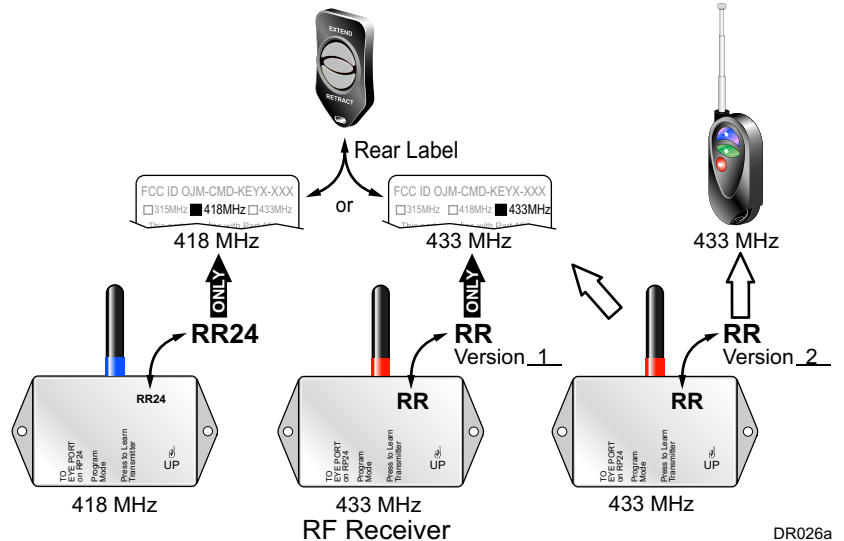
1.1.2. Key FOBS w/ antenna are 433 MHz

1.2. Receivers

1.2.1. 418 MHz receivers are marked "RR24".

1.2.2. 433 MHz receivers marked "RR" Version 1 can only be used with the 433 MHz gray button Key FOB.

1.2.3. 433 MHz receivers marked "RR" Version 5 is compatible with any 433 MHz Key FOBS marked version 2 thru 5.



2. The receiver exits the program mode after ten seconds.
3. If the light does not come on above, the memory is full and must be cleared.
4. To clear the memory: press and hold the transmitter learn button for 5 seconds. While holding the button, the indicator light should be off for the full 5 seconds then come on.
5. The system may be programmed for up to 5 remotes. Additional remotes may be ordered separately.

BATTERY REPLACEMENT

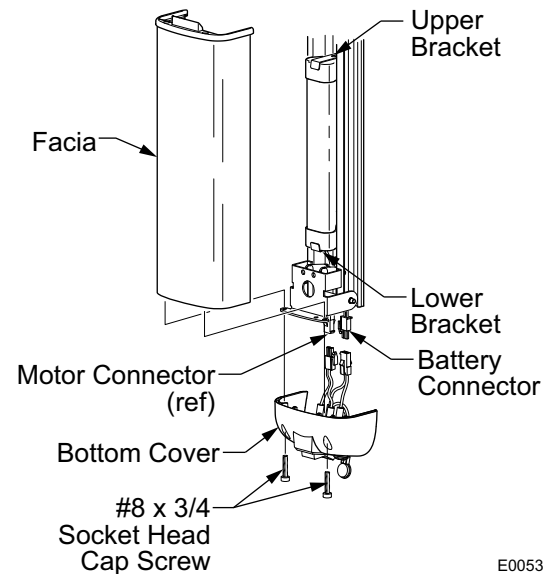
This procedure only applies to the Universal Eclipse with battery. The Eclipse battery configuration uses one exterior switch and one rechargeable 14.4V NiCd battery pack mounted in the right arm assembly.

NOTE: For safety and shipping, new batteries are shipped without a charge. It will be necessary to charge the battery before using. Refer to "Charging the Battery" below.

1. Remove the two socket head cap screws holding the bottom cover and set aside. Allow the bottom cover to hang down on the wires.
2. Remove the fascia.
3. Disconnect the battery connector from the switch in the bottom cover.
4. Pull out the battery and connector. The mounting brackets are spring clips, use care to not bend or distort the brackets.
5. Thread the connector and wires down along the inside of the channel, behind the springs and pins.

NOTE: Orient the battery with the wires starting at the (ref) top of the battery pack.

6. Spread the wires apart and route to each side of the lower bracket.
7. Place the top of the battery into the top bracket.
8. Snap the bottom of the battery into the bottom bracket.
9. Connect the battery and motor connectors to the end cover with switch.
10. Reinstall the bottom cover and fascia.



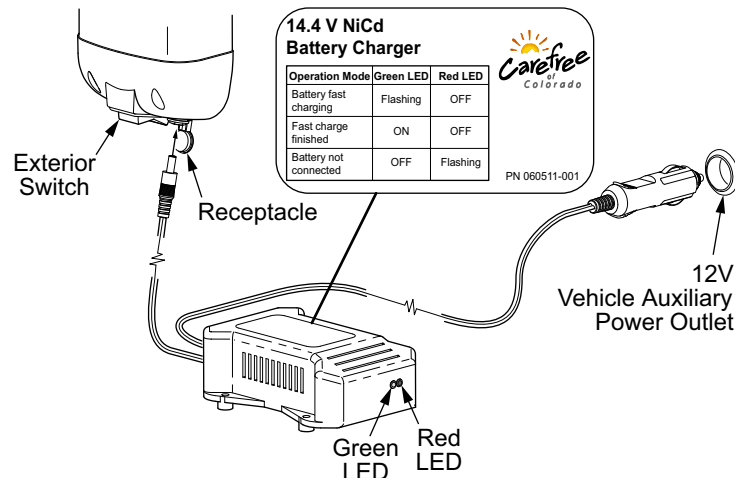
E0053

Figure 10. Battery Replacement.

Charging the Battery

NOTES ABOUT THE BATTERY:

- Always discharge the battery completely by operating the awning before recharging. DO NOT charge the battery after every use.
 - Always charge the battery fully. Do not partially charge the battery.
 - Do not operate the awning while the battery is charging. If it is necessary to operate the awning before the battery is fully charged, first disconnect the charger to prevent possible damage.
 - If the awning is operated while the charger is plugged in, the charger will falsely report a full battery charge. It will be necessary to reset the charger by unplugging the power cord, wait 10 seconds then reconnect.
 - Do not leave the charger plugged into the battery without power cord plugged in. This can cause the battery to discharge through the charger. Damage to the battery can occur over extended periods.
1. Connect the charger to the vehicle's 12 volt auxiliary outlet (cigarette lighter).
 2. Connect the charger to the battery through the battery receptacle. The receptacle is located next to the switch on the bottom of the right arm.
 3. Observe the LEDs located on the side of the charger. When the green LED stays steady on, the battery is fully charged. Disconnect the charger.



E0035

Figure 11. Charging the Battery.

STANDARD MAINTENANCE

Maintaining a Carefree Awning is easy. Just follow these basic steps:

- Always operate the awning according to the instructions.
- Periodically check that the fasteners are tight. Tighten if necessary.
- Keep the awning fabric and arms clean.

FABRIC CARE

CAUTION

DO NOT USE OIL BASED CLEANERS OR ANY CAUSTIC, GRANULATED, OR ABRASIVE TYPE CLEANERS ON YOUR CAREFREE PRODUCT.

1. One of the best ways to keep the fabric looking good and to delay the need for deep or vigorous cleanings is to hose fabrics off on a monthly basis with clear water. This practice will help prevent dirt from becoming deeply imbedded in the fabric. In most environments, a thorough cleaning will be needed every two to three years.
2. When it's time for a thorough cleaning, the fabric can be cleaned while still on the awning frame.
 - For Vinyl Fabric – Use a soft brush and warm water with soap.
 - For Acrylic Fabric – Use a stiff brush and warm water with soap.
3. When cleaning the fabric, it is important to observe the following:
 - Always use a natural soap, never detergent.
 - Water should be cold to lukewarm, never more than 100°F.
 - Air-dry only. Never apply heat to the fabric.
 - Always allow the fabric to dry thoroughly before rolling up the awning.

Mildew

Mildew is a fungus growth that looks like dirt. Vinyl coated polyester fabrics are mildew resistant because of a chemical biocide in the vinyl coating. Under ordinary conditions, mildew will not appear. However, in areas where high temperature and humidity are common, mildew can be a problem and required the material to be washed more frequently. Thoroughly rinse the fabric with clean water and allow to air dry completely before rolling up the awning.

Pooling

When water collects on the top of the fabric, this is known as "pooling". This can occur during inclement weather or if a running air conditioner discharges over the awning. The water is dumped when the awning is retracted. It is recommended that if water accumulates on the top; retract the awning in steps (8"-12") to dump the water. This will help prevent the fabric from stretching or distorting.

The effects of wind and rain on an awning are unpredictable. Severe damage to the awning and the vehicle may result. IF WIND OR EXTENDED PERIODS OF RAIN ARE EXPECTED, ROLL UP THE AWNING AND SECURE FOR TRAVEL.

ARM CARE

The best method of keeping the arms and braces operating smoothly is to clean them. Dirt and debris can cause the channels not to slide easily.

Periodically wash out the channels with running water (i.e. a hose) to keep them clean. If the channels still do not slide easily, lightly spray the joints and/or inside of the channels with a dry silicone lubricant, after the arms have been cleaned and dried thoroughly.

Hardware Maintenance

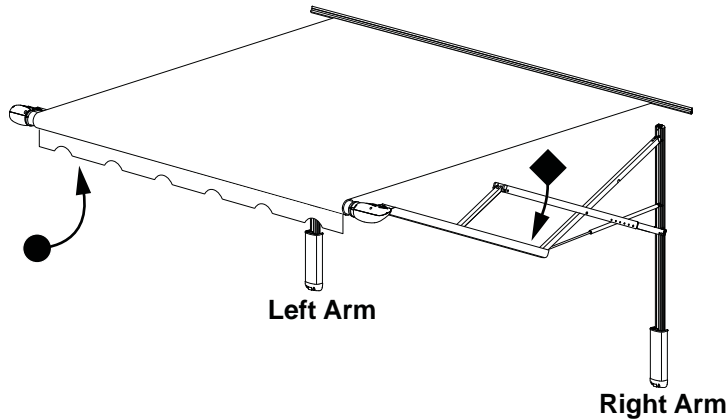
- Replace any parts that become damaged.
- Periodically check all mounting hardware, screws, lags, etc., and re-tighten when necessary.

MOTOR MAINTENANCE

- Check all wiring and connections for wear. Repair when needed.

PART NUMBER LISTING

PART NUMBER/SERIAL NUMBER LOCATION



- ◆ Arm part and serial numbers are located on the inside of the lower arm channel.
- Roll bar part and serial numbers are located on the roller tube and valance care label.

E0048

ARMS PART NUMBER CONFIGURATION

Example: Part Number: V X J E 5 0 H W

STYLE CODE	COLOR	ARM TYPE	ARM CONFIGURATION/CONTROLS
VX	JE	50	HW
Eclipse	Black	Universal	AM, Interior and Exterior Switches
VX = All Eclipse	Refer to sales order information for specific codes and colors available	50 = Universal 51 = Short 52 = XL	BT = AM, Battery Powered Discontinued HW = AM, Interior and Exterior Switches RF = AM, Exterior Wall Plug and Single Interior Switch. Used for One-Touch Upgrade. CS = OEM, Interior and Exterior Switches DR = OEM, Direct Response EP = OEM, Exterior Wall Plug and Single Interior Switch SP = OEM, Exterior Wall Plug with Interior and Exterior Switches AM - Aftermarket or Retrofit uses extended mounting channel & top mounting bracket OEM - Original Equipment Manufacturer

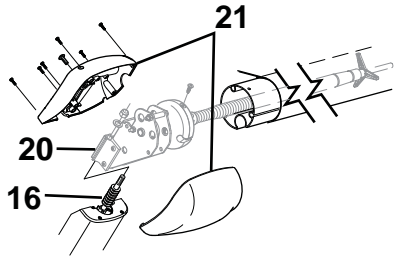
ROLLER PART NUMBER CONFIGURATION

Example: Part Number: Q J 1 8 7 9 7 9

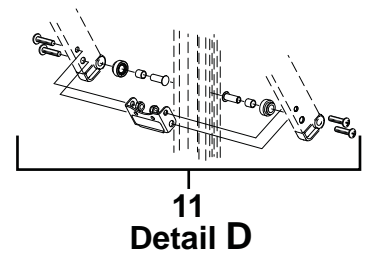
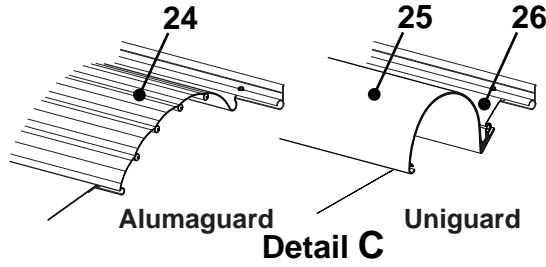
STYLE CODE	SIZE	CANOPY COLOR	FABRIC WRAP TYPE/COLOR
QJ	18	79	79
Vinyl Roller Assy	18' LG	Ocean Blue Vinyl	Ocean Blue/Cream Weatherguard
QJ = Vinyl or Polyweave	12'	<u>VINYL</u>	<u>VINYL (Weatherguard)</u>
QL = Acrylic w/ Alumaguard	13'	<u>CUSTOM GRAPHICS</u>	<u>ALUMAGUARD / UNIGUARD</u>
QK = Vinyl or Polyweave w/ Alumaguard	14'	<u>POLYWEAVE</u>	<u>CUSTOM</u>
WA = 9' XL vinyl or Polyweave	15'	<u>ACRYLIC</u>	<u>ALUMAGUARD / UNIGUARD</u>
WB = 9' XL Vinyl or Polyweave w/ Alumaguard	16'	Available In Horizontal Or Vertical Stripe Or Solid	
WC = 9' XL Acrylic w/ Alumaguard	17'	<u>CUSTOM ACRYLIC</u>	
OU = Acrylic w/ Uniguard	18'	Custom Colors Are Available	
OT = Polyweave w/ Uniguard	19'		
	20'		
	21'		
Refer to sales order information for specific codes and colors available			

ILLUSTRATED PARTS LIST

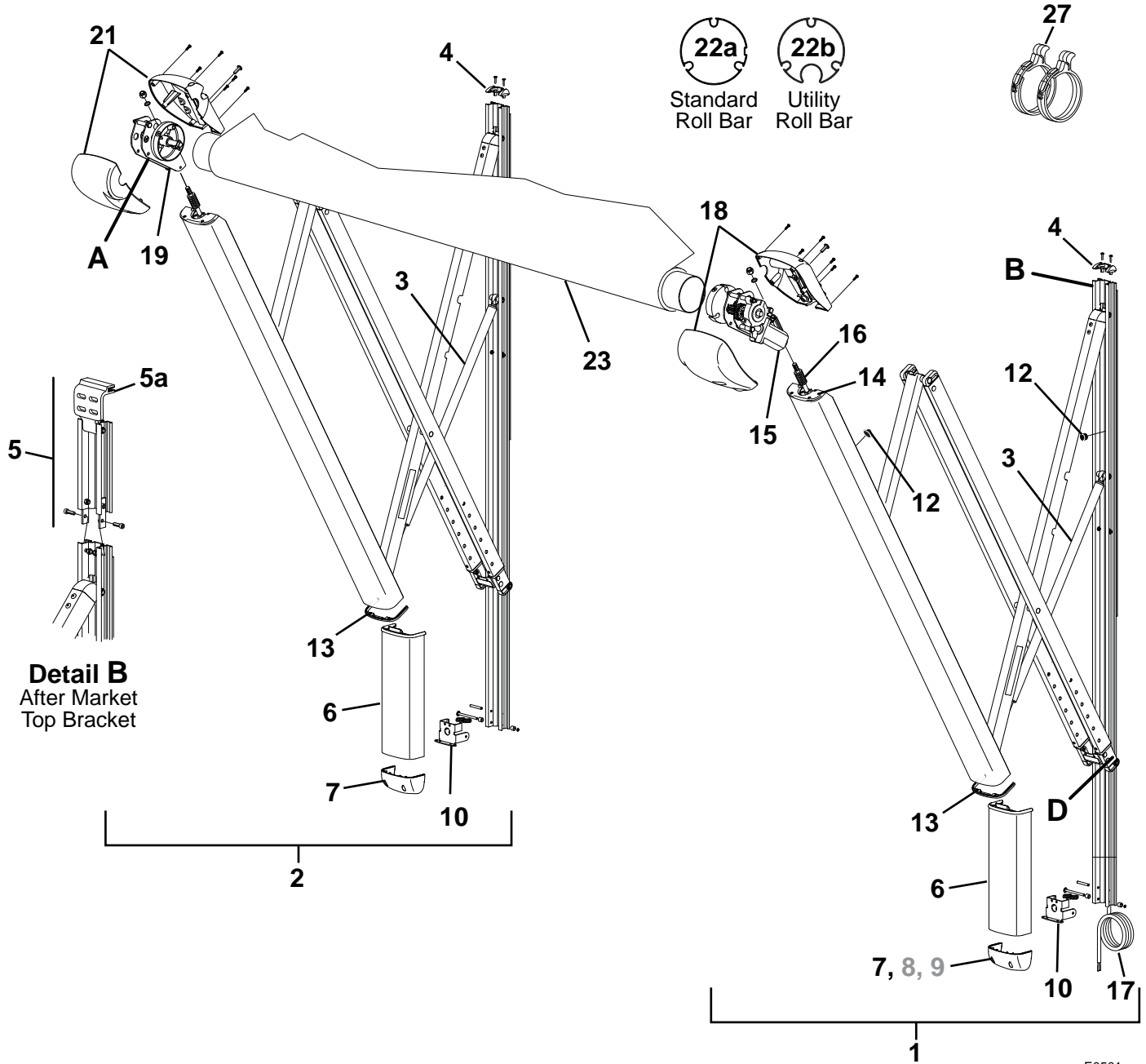
Arms



Detail A
XL Idler Head



11
Detail D



Detail B
After Market
Top Bracket

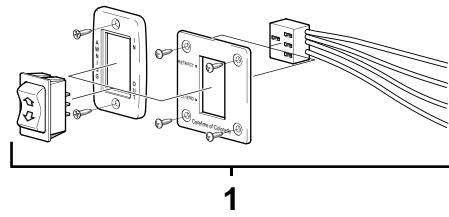
E0501sm

Item	Part Number	Description	Notes
1	Contact Carefree	1/2 Set Hardware, Arm Assy, Motorized, RH	Standard 3
2	for Order	1/2 Set Hardware, Arm Assy, Idler, RH	Standard 3
	Information	NOTE: 1/2 Set Arm Assemblies for XL are no longer available.	
3	R001099	Gas Shock	
4	R001100XXX	Cap, Rail Top	
5	R014635-251	Top Extension Kit (aftermarket installations only)	White 4
	R014635-JV1	Top Extension Kit (aftermarket installations only)	Black 4
5a	R001094XXX	Top Mounting Bracket (aftermarket installation only)	
6	R001102XXX	Fascia	
	R001102XXX-XL	Fascia for XL	
7	R001103XXX	Fascia Cap, No Switch	
8	NLA	Fascia Cap, External Switch (Direct Wire)	
9	NLA	Fascia Cap, External Switch (Battery Configuration Only)	
10	R001101	Hinge Bracket Kit	
11	R019291-005	Arm Roller Kit	White
	R019291-006	Arm Roller Kit	Black
12	901008	Rubber Bumper	
13	R001110XXX	Cap, Channel, Bottom	
14	R001111XXX	Cap, Channel, Top	
15	R001104XXX	Motor Assy	
16	R001323	Kit, Head Attach Hardware	
17	R060414-00X	Motor Cable	
18	R001324XXX	Kit, Motor Cover	2
19	R001107XXX	Idler Assy	Standard
20	NLA	Idler Assy	XL
21	R001325XXX	Kit, Idler Cover	2
22a	40xx00	Roller Tube, 4 Slot	3 1/2" Dia
22b	15xx00A	Roller Tube, w/ Utility Slot	3 1/2" Dia
23		Canopy	Refer to Canopy Order Form
24	20xx36XXX	Alumaguard Assembly Only	
25	R001246XXX-xxx	Uniguard (includes 4.25" soft connect)	
	R001246XXX-xxxT	Uniguard (includes 5.25" soft connect)	
26	R001247XXX-xxx	Soft Connect	4.25" Wide
	R001247XXX-xxxT	Soft Connect	5.25" Wide
27	901067	Tractioner Kit	pkg of 2
	R001509	Owners Kit: Jumper Cable, Manual & Hex Key	not shown
	041223-006	Foam Tape, Black	not shown
	041223-005	Foam Tape, White	not shown

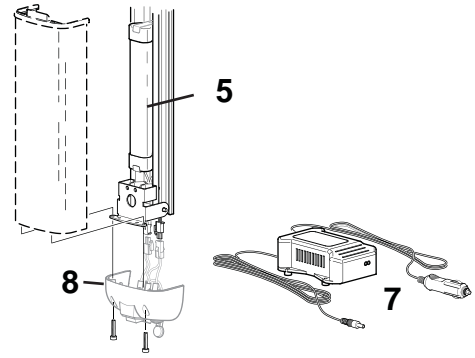
- NOTES:**
1. XXX = Color; xxx = Length in inches.
 2. Cover kits include front cover, rear cover and attaching screws.
 3. After 01-01-2011 all replacement arms will have a 60 7/8" rear extrusion. Aftermarket arms will include item 5 (top extension kit). This change does not affect existing mounting hole locations.
 4. Top extension kit (item 5) includes top mounting bracket (item 5a)

Electronics

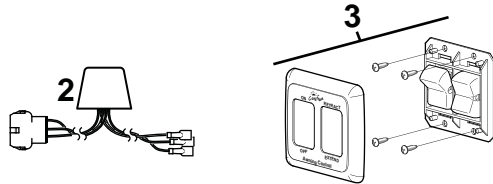
Single Switch Kit



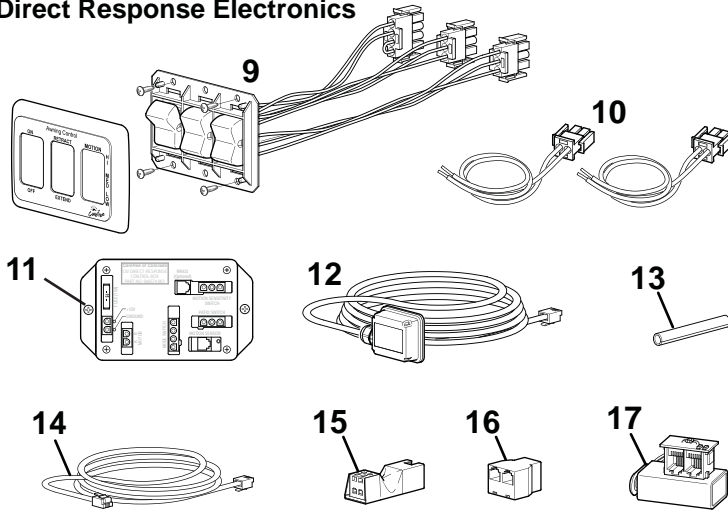
Battery



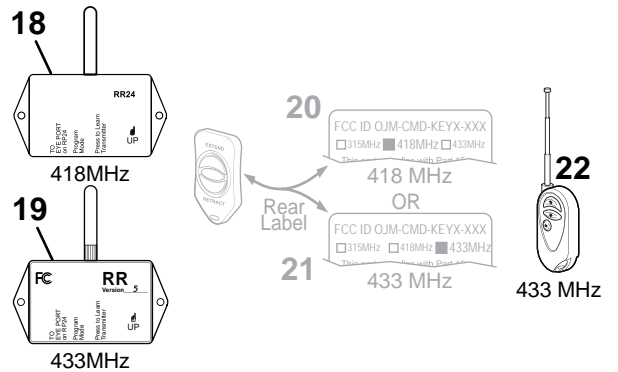
Multi-Switch Electronics



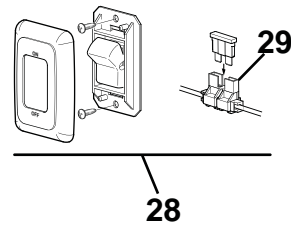
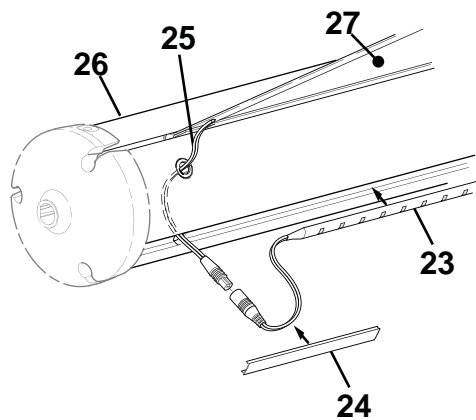
Direct Response Electronics



Remote Control (available w/ Direct Response Only)



Factory Installed LED Lighting



E0502sm

Item	Part Number	Description	Notes
1	R001605	Kit, Single Switch	
2	R001112	Relay Module	Multi-Switch
3	R019468-006	Kit, Multiple Switch	Multi Switch
4	NLA	Receptacle	Multi-Switch
5	R001098	Battery	Battery Configuration Only
6	NLA	Battery Clip	set of 2
7	R001097	Battery Charger	Battery Configuration Only
8	NLA	Fascia Cap, External Switch (Battery Configuration Only)	
9	R019489-001	Switch Kit, Direct Response	9
10	R060345-001	Harness - Power, Motor Connect	
11	R060574-003	Controller	2, 3, 6
12	R060538-002	Sensor w/ Cable	
13	R040562-001	Cord Retainer	
14	R060434-001	Phone Cable, 60"	
15	R060532-001	Ignition Lockout Sensor, EL	5
16	R060589-001	Splitter	Used with Ignition Lockout
17	SR0095	Sensor Test Tool	
18	R001036	RF Remote Receiver, 418 MHz	4
19	R060429-002	RF Remote Receiver, 433 MHz, Version 5	4
20	<i>Obsolete</i>	Key FOB, Remote, 418 MHz	4
21	<i>Obsolete</i>	Key FOB, Remote, 433 MHz, Version 1	4
22	R060622-001	Key FOB, Remote, 433 MHz, Version 5	4
23	R060732-001	LED Strip, Short Lead	Used with 18' or shorter
	R060732-002	LED Strip, Long Lead	Used with 19' and longer
24	R001716	Slot Cover	2'
25	R060740-001	Canopy Harness	
26	40xx00	LED Roller Tube	without LED strip
27		Canopy Only w/ Harness	Refer to Canopy Order Form
28	SR0101	Switch Kit (includes item 29)	
29	R019493-001	Fuse Kit (includes in-line fuse holder and 2A fuse)	

- NOTES:**
1. Windsmart has been discontinued in 2007 and not available for original or upgrade installations. Components are no longer available.
 2. Control Boxes for the WindSmart and Direct Response are NOT interchangeable.
 3. A Direct Response upgrade kit (p/n SR0036) is available and contains items 9 thru 14.
 4. Key FOB and Receiver must match in frequency (418 MHz or 433 MHz). 418 MHz receivers are marked "RR24" and have a blue band or no band around the antenna. 433 MHz receivers are marked "RR" and have a red band around the antenna.
Key FOBs marked version 4 must be used with receivers marked version 4.
Remote Receiver marked Version 5 is compatible with all remotes marked Version 2 thru 5.
 5. The optional Ignition Lockout Sensor can only be used with controller boxes (item 11) that are marked with 060574-003. Sensor does not work with boxes marked with -001 or -002.
 6. The controller box (item 11) marked with 060574-003 is backward compatible and can be used for replacement of all previous versions marked with -001 and -002.
 7. Switch kit (item 1) includes switch, faceplates, screws and connector and replaces all previous single switch kits. Components not available separately.
 8. Switch kit (item 3) includes switches, faceplate and screws and replaces all previous multi switch kits. Components not available separately.
 9. Switch kit (item 9) includes switches w/ harnesses, faceplate and screws and replaces all previous multi switch kits for direct response. Components not available separately.
 10. LED strip (item 23) is sent on a roll and cut to length during installation. Slot cover (item 24) is included.