



A&E Systems

RECORD THIS INFORMATION FOR FUTURE REFERENCE
BEFORE INSTALLING THE UNIT:

Model Number _____
Serial Number _____
Date Purchased _____
Place of Purchase _____

8270000, 8271000 & 8272000 Series Nested Hardware

for use with



by Dometic

FABRIC ROLLER TUBE ASSEMBLY

USA
SERVICE OFFICE
Dometic Corp.
509 So. Poplar St.
LaGrange, IN 46761
(260) 463-4858

CANADA
Dometic Dist.
866 Langs Dr.
Cambridge, Ontario
CANADA N3H 2N7
(519) 653-4390

For Service Center
Assistance Call:
800-544-4881

⚠ WARNING

This manual must be read and understood before installation, adjustment, service, or maintenance is performed. This unit must be installed by a qualified service technician. Modification of this product can be extremely hazardous and could result in personal injury or property damage.

⚠ AVERTISSEMENT

Lire et comprendre ce manuel avant de procéder à l'installation, à des réglages, de l'entretien ou des réparations. L'installation de cet appareil doit être effectuée par un réparateur qualifié. Toute modification de cet appareil peut être extrêmement dangereuse et entraîner des blessures ou dommages matériels.

INSTALLATION INSTRUCTIONS

**8270000, 8271000
8272000
SERIES
NESTED
HARDWARE**

REVISION:

Form No. 3109918.023 3/03
(Replaces 3109918.015)
(French 3109920.029)
©2003 Dometic Corporation
LaGrange, IN 46761

**Important: Instructions must stay with unit.
Owner read carefully**

SAFETY INSTRUCTIONS

This manual has safety information and instructions to help users eliminate or reduce the risk of accidents and injuries.

RECOGNIZE SAFETY INFORMATION



This is the safety-alert symbol. When you see this symbol in this manual, be alert to the potential for personal injury.

Follow recommended precautions and safe operating instructions.

UNDERSTAND SIGNAL WORDS

A signal word, **WARNING** OR **CAUTION** is used with the safety-alert symbol. They give the level of risk for potential injury.

WARNING: means if the safety information is not followed someone could be injured or killed and/or damage to equipment could occur.

CAUTION: means if the safety information is not followed someone might be injured and/or damage to equipment might occur.

Read and follow all safety information and instructions.

SPECIFICATIONS:

MODEL SERIES	8270000.401X 8271000.401X	8270000.402X 8271000.402X	8272000.401X	8272000.402X
Height Range	74.5" - 88"	64" - 76"	74.5" - 88"	64" - 76"
Main Arm Length	73"	61"	73"	61"
Adjustable Arm Length	57"	57"	57"	57"
Main Rafter Length	66"	54"	66"	54"
Secondary Rafter Length	32.5"	44.5"	32.5"	44.5"
Duty*	Standard	Standard	Standard	Standard

***Note:** Standard Duty is used with *SUNCHASER* Awnings 21' and below.

Replace X with letter code from color chart.

<p>COLOR CHART B = Polar White H = Mende White S = Satin</p>
--

INSTALLATION

COVERED BY ONE OR MORE OF THE FOLLOWING PATENTS: 4,188,964; 4,524,791; 5,351,736; 5,351,827; 5,383,346; 5,472,007; 5,516,244; 5,566,918; 5,924,465; 5,732,756; 5,944,085; 6,006,810; 6,098,693; D353,473; D366,763; D395,170; D428,266; D429,894; others pending.

APPLICATION

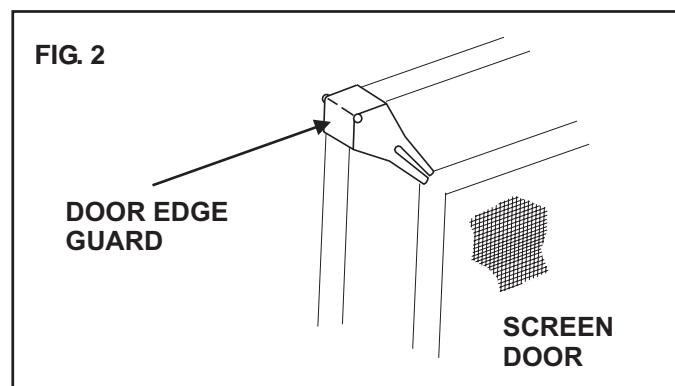
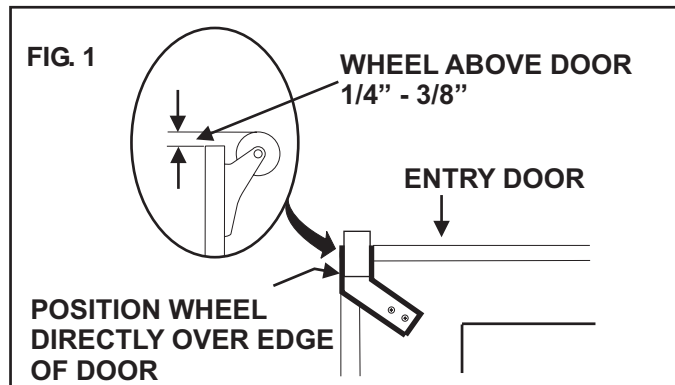
The standard A&E awning is designed and intended for use on motorhomes, mini-motorhomes, 5th wheels and travel trailers with straight sides.

IMPORTANT: Read and understand ALL of the following steps before beginning installation.

The Dometic Corporation reserves the right to modify appearances and specifications without notice.

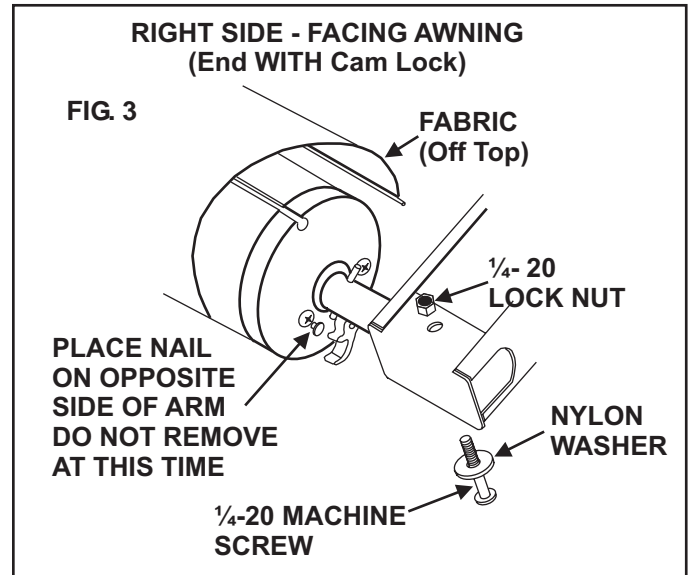
A&E Awnings can be installed by one person with brief help from two others. Use the following procedure to assure a properly installed, and properly functioning awning.

1. When the awning is mounted above a square corner entry door, a door roller and guard (NOT INCLUDED) must be installed per FIG. 1 and FIG. 2, to reduce the potential of damage to the fabric. Rounded doors may not require a door roller if the door will not damage the fabric.

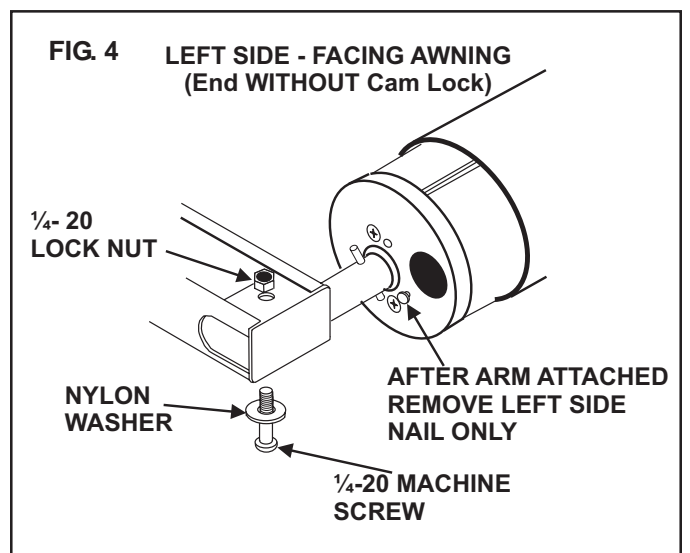


Note: If installing the awning over a square door the A&E (Single) Door Roller Kit is part number 830304 and a carton of 50 is 830304.003.

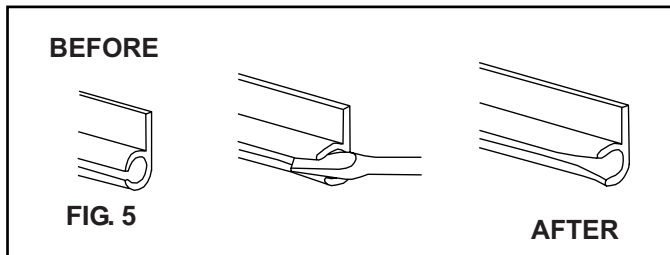
2. Carefully lay the fabric roller tube assembly on "V" troughs or other well protected surface to prevent fabric damage. Start working on the torsion with the cam lock (Right Hand), insert the arm cap into the arm. Position the nail in the end cap on the opposite side of the hardware arm. Align and secure the arm assembly to the torsion rod using the 1/4 - 20 machine screws, nylon washers and 1/4" lock nuts. See FIG. 3. Align and attach Left Hand torsion rod to the other arm assembly. See FIG. 4.



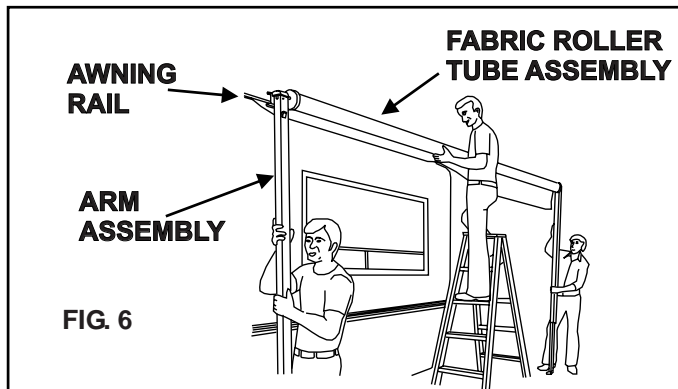
CAUTION
DO NOT REMOVE the NAIL from the right end at this time and **DO NOT** attempt to rotate the Safe-T-Lock™ Direction lever until installation is complete (Lever has been preset in the roll-down position.) (See FIG. 3)



- Remove the left nail **ONLY**. With both hardware arms secured to the Fabric Roller Tube Assembly, and front of arms down, rotate the left arm clockwise as if rolling the fabric up. This takes the pressure off of the nail. Remove the left nail by hand and lower the arm to the floor. See FIG.4.
- Prepare the awning rail to accept the awning roller cover. Select the end from which the awning shall be fed, then widen that end of the rail with a flat screwdriver and file off any sharp edges. (FIG. 5)

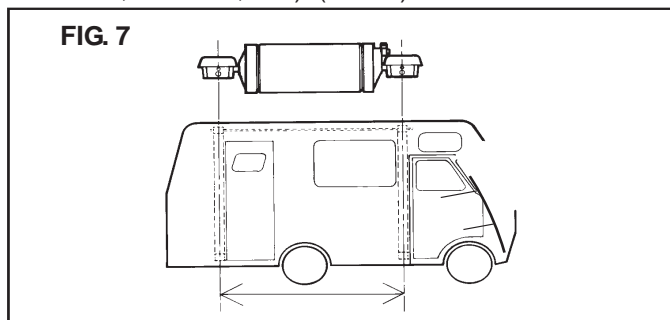


- With one person grasping each support arm, carefully lift the entire assembly upright. Keep the two arm assemblies **parallel** to avoid damage due to twisting. Carry the awning to the prepared awning rail end. (FIG. 5 & 6)



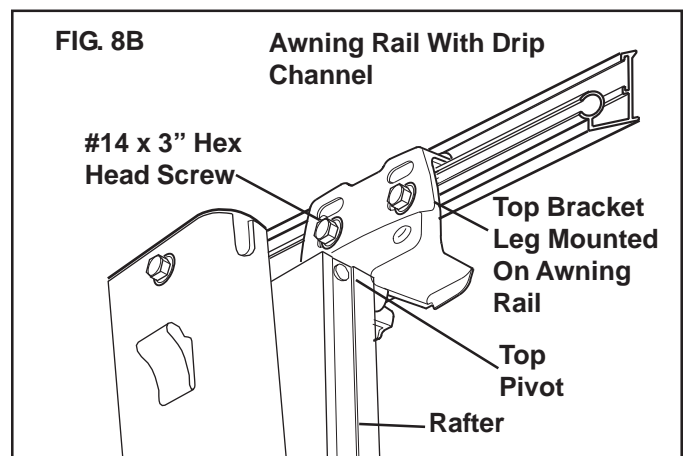
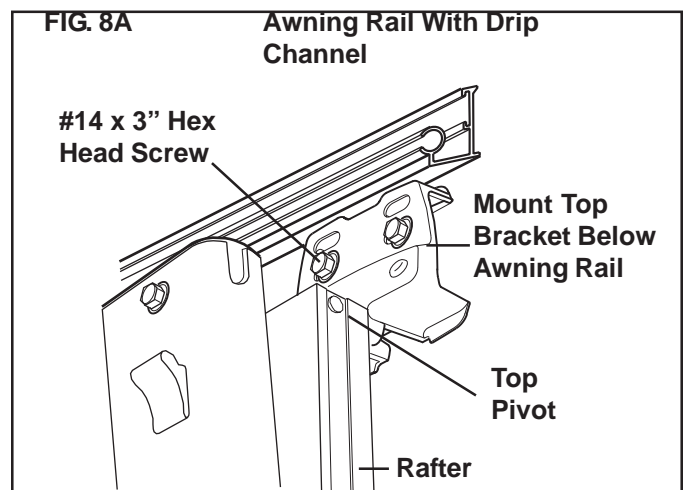
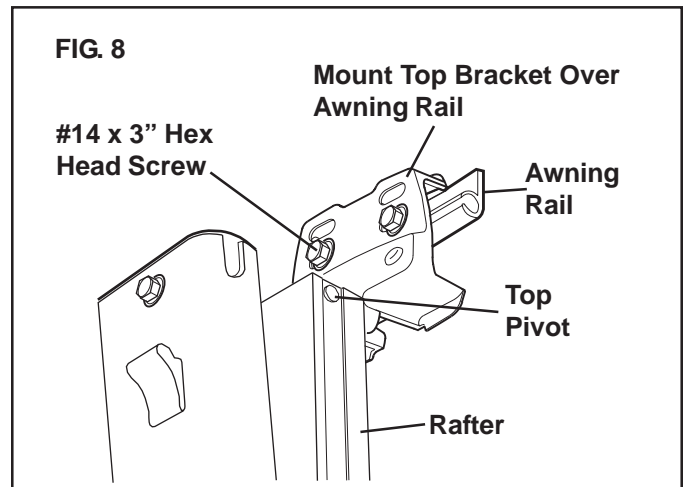
Feed the awning into the awning rail while standing on a step ladder, (third person) while two carry the awning assembly to the desired position.

- Install Top Brackets.** After the complete awning assembly has been threaded into the awning rail, check to be sure that its position allows for solid mounting of the top and bottom brackets and that support arms are in desired location (not restricting use of doors, access doors, windows, etc.). (FIG. 7)



The top mounting bracket can be placed in several different positions with relationship with the awning rail. Some awning rails have a drip channel to catch water as it runs off the roof and drain it to the front or rear of the coach.

Find solid structure in the coach wall to anchor the #14 X 3" hex head screws. The relationship of the solid structure with the awning rail will determine the position of the top mounting brackets. The top mounting bracket can be placed over, on or under the awning rail as shown in FIG. 8, FIG. 8A & FIG. 8B. If the top mounting



bracket does not touch the side of the coach because the awning rail is too wide, a stand off is available. This will allow the top bracket to clear the wider awning rail. Part number for the (one) stand off is 3109623.003 and 50 count package 3109623.550

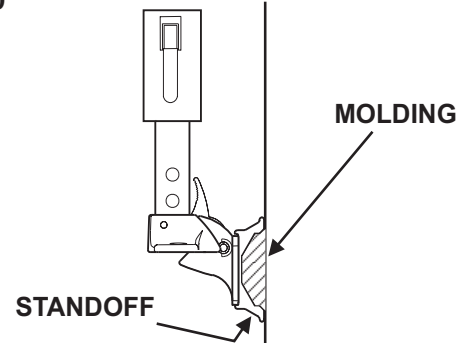
Align top bracket directly behind and centered with the main support arm.

Lift the arm handle (releasing lock button) and **CAREFULLY** extend the inner arm to the ground to support the awning.

Pull the main support arm away from the top bracket and rafter. Mark the top bracket position and predrill the two 3/16" diameter holes (drill 7/32" diameter if into steel). Install top bracket with two #14 X 3" hex. head screws (FIG. 8, 8A & 8B). Apply silicone sealant to screw threads and where the screws enter the coach. Place main support arm on the top pivot. Repeat for the other side.

Mark position of bottom bracket holes. Predrill two 3/16" diameter holes through the marked locations. (Drill 7/32" diameter hole if into steel). Secure the bottom bracket to the coach using #14x2" hex head screws. (FIG. 9). Apply silicone sealant to screw threads and where the screws enter the coach. Repeat for other side.

FIG. 10



Note: If installing over a molding, A&E (Single) Standoff Kit 3104781.004 (Bulk 10 pack 3104781.103) may be used (See FIG. 10).

8. Install Stop Plugs.

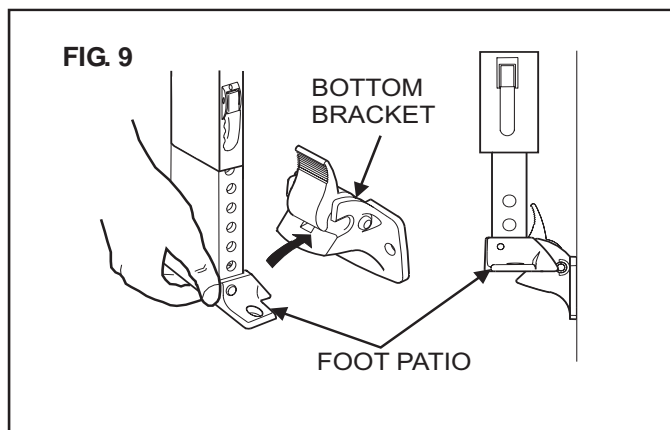
! WARNING

After the top bracket has been mounted, do not pull the bottom of the arm assembly away from the side of the vehicle, with the Safe-T-Lock™ in the roll-up position. Damage to the torsion lock can occur, which may cause the torsion to malfunction.

! CAUTION

This step is essential for the proper functioning of all A&E Awnings.

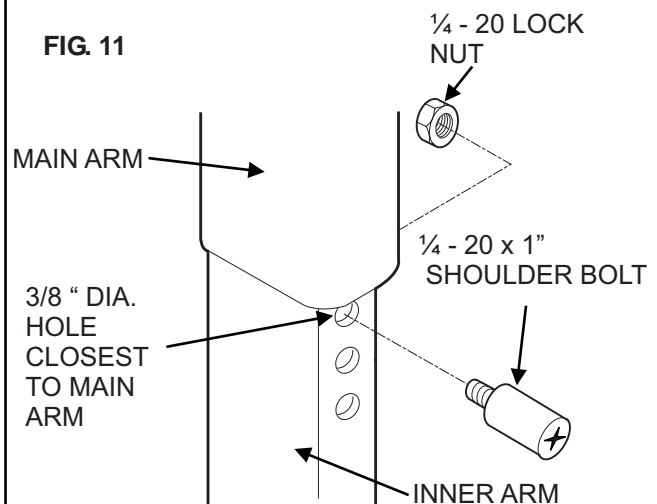
7. Install Bottom Brackets. Snap the patio foot on the bottom of the inner arm into the bottom bracket. (FIG. 9). Insure the arm top casting is resting on the top pivot.



Lift the main arm handle and slide the inner arm up to the desired mounting position. Select the best supporting structure, i.e. mount directly into the floor line, molding, etc.

Using the lift handle, **RAISE THE MAIN ARM UP BY ONE HOLE ONLY**. Install the 1/4-20x1" shoulder bolt on the inner arm side, through the hole closest to the bottom of the main arm. Secure with a 1/4" lock nut (FIG. 11).

FIG. 11

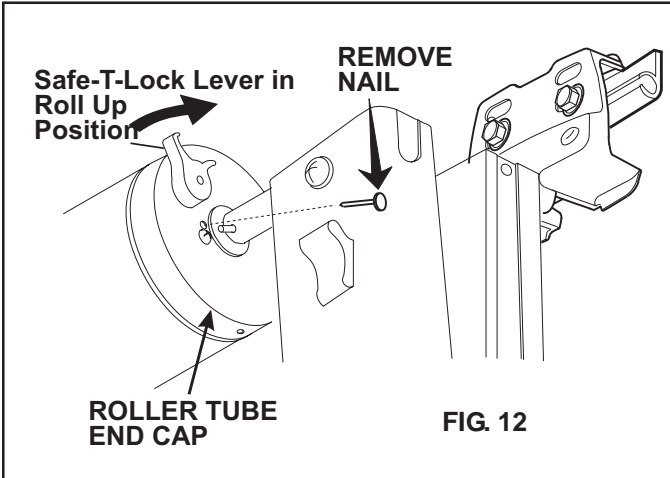


THE MAIN SUPPORT ARM SHOULD NOW CLEAR THE TOP PIVOT WHEN THE AWNING CLOSES. Repeat for other side.

9. Release Preset Tension.

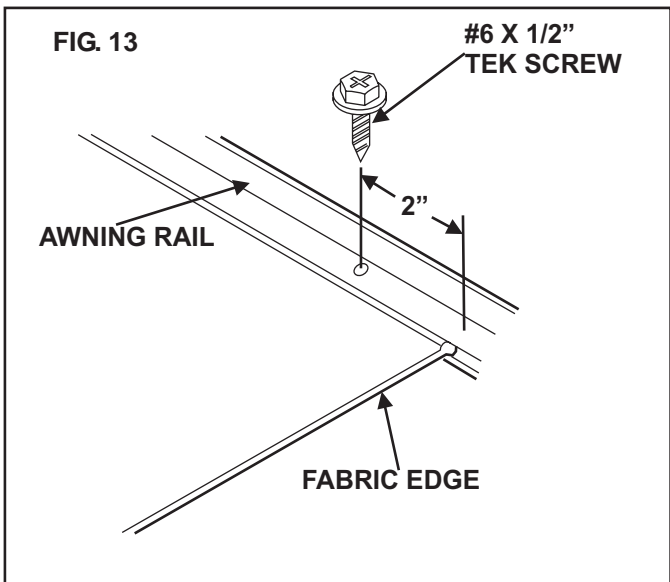
Remove the nail found in the roller tube right end cap (FIG. 12). Twist the roller tube as if unrolling awning while pulling the nail by hand and discard.

Remove wire tie from the Safe-T-Lock™ lever, Rotate the lever to the roll up position and allow the awning to roll up snugly against the vehicle side. If no tension is felt, check to make sure the Safe-T-Lock™ Lever is in the roll up position (FIG. 12).



10. Secure Awning to Awning Rail. Open and close awning a few times to allow for natural self adjustment of awning. Insure the arms are still positioned directly in front of the top brackets.

The fabric will locate itself. Measure in 2" from the edge of the fabric and secure by installing a #6 x 1/2" Tek screw. Pull on the fabric at the awning rail (opposite end) and stretch it 1/4" to the side, secure by installing a #6 x 1/2" Tek screw. (FIG. 13)



11. Operate awning according to the Operating Instructions to check that all parts function properly.

12. Secure Awning for Travel. For added security and rattle-free travel, tighten rafter knobs, secure travel latches and insure Safe-T-Lock™ is in the roll up position. (FIGS. 12 & 14).

