



RECORD THIS UNIT INFORMATION FOR
FUTURE REFERENCE:
Model Number _____
Serial Number _____
Date Purchased _____



A&E TRIM LINE AWNING

USA
SERVICE OFFICE
Dometic, LLC
2320 Industrial Parkway
Elkhart, IN 46515
574-294-2511

CANADA
Dometic, LLC
46 Zatonski, Unit 3
Brantford, ON N3T 5LB
CANADA
519-720-9578

**For Service Center
Assistance Call:**
800-544-4881

⚠ WARNING

This manual must be read and understood before installation, adjustment, service, or maintenance is performed. This unit must be installed by a qualified service technician. Modification of this product can be extremely hazardous and could result in personal injury or property damage.

⚠ AVERTISSEMENT

Lire et comprendre ce manuel avant de procéder à l'installation, à des réglages, de l'entretien ou des réparations. L'installation de cet appareil doit être effectuée par un réparateur qualifié. Toute modification de cet appareil peut être extrêmement dangereuse et entraîner des blessures ou dommages matériels.

INSTALLATION & OPERATING INSTRUCTIONS

MODELS

- 944X07.00(X)
- 944X08.00(X)
- 944X09.00(X)
- 944X10.00(X)
- 944X11.00(X)
- 944X12.00(X)
- 944X13.00(X)

REVISION:
Form No. 3308723.026 2/09
(Replaces 3308723.018)
(French 3309146.029)
©2009 Dometic, LLC
LaGrange, IN 46761

Important: These Instructions
must stay with unit.
Owner read carefully.

SAFETY INSTRUCTIONS

This manual has safety information and instructions to help users eliminate or reduce the risk of accidents and injuries.

RECOGNIZE SAFETY INFORMATION



This is the safety-alert symbol. When you see this symbol in this manual, be alert to the potential for personal injury.

Follow recommended precautions and safe operating instructions.

UNDERSTAND SIGNAL WORDS

A signal word, **WARNING** OR **CAUTION** is used with the safety-alert symbol. They give the level of risk for potential injury.

⚠ WARNING indicates a potentially hazardous situation which, if not avoided, could result in death or serious injury.

⚠ CAUTION indicates a potentially hazardous situation which, if not avoided, may result in minor or moderate injury.

CAUTION used without the safety alert symbol indicates, a potentially hazardous situation which, if not avoided, may result in property damage.

Read and follow all safety information and instructions.

A. Application

The A&E Trim Line Awning is designed and intended for mounting on pop-up tent campers.

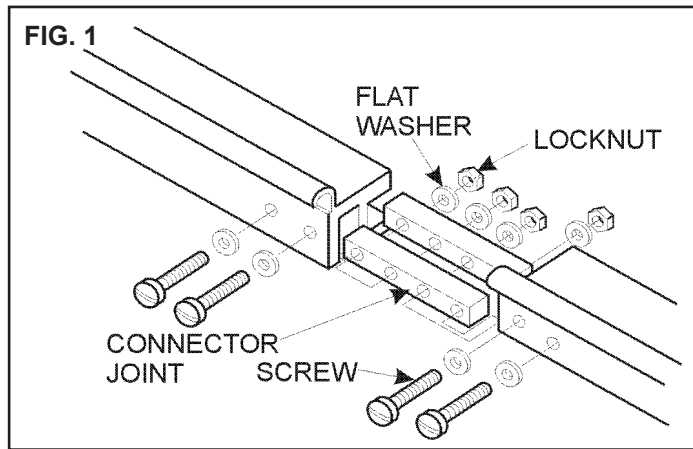
Important: Read the entire installation procedure before starting the installation.

Note: Dometic, LLC assumes no liability for damages or injury resulting from installation or operation of this product.

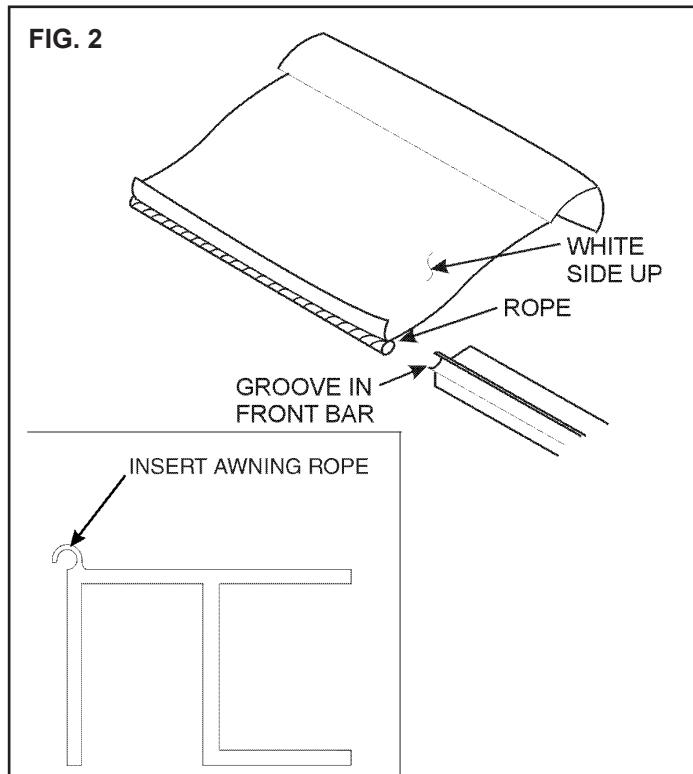
B. Assembly

1. Install joiner tubes as shown in Fig. 1. Use screws provided.

Note: Start all screws into holes before tightening nuts. Do not overtighten nuts.



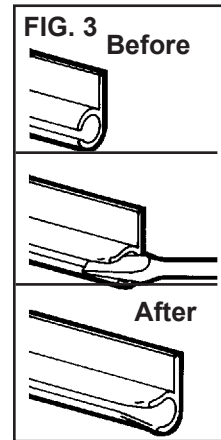
2. Unroll awning fabric on a flat, clean surface. Insert awning fabric into front bar with the white side up. See Fig. 2.



3. With front bar on fabric, roll awning up into bag and zip bag closed.

C. Installation

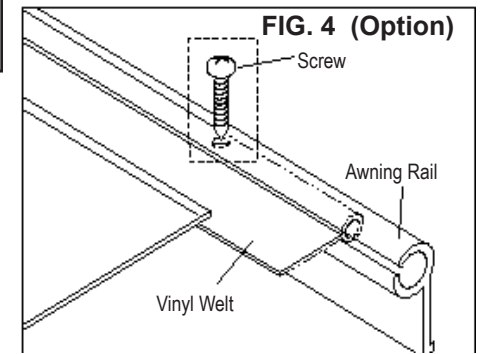
1. Prepare the awning rail to accept the Trimline awning by opening the lead end of the awning rail with a screwdriver as shown in Fig. 3.



a. Install vinyl welt of awning bag into awning rail by inserting vinyl welt into one end of awning rail and sliding awning into position. See Fig. 4.

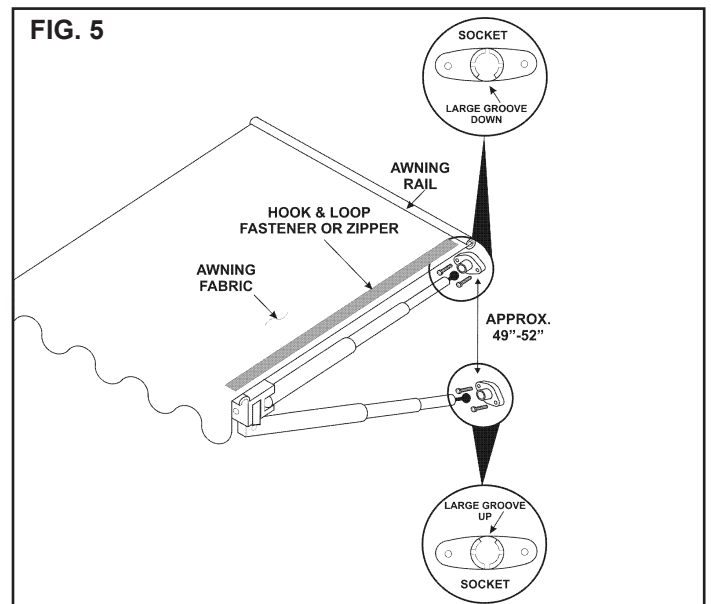
b. If the awning is to be left mounted during travel, secure each end by installing a #6 x 1/2" drill point screw in each end. See Fig. 4

Note: When unzipping bag or untying poles, be sure to hold poles so loose poles do not fall out of bag.



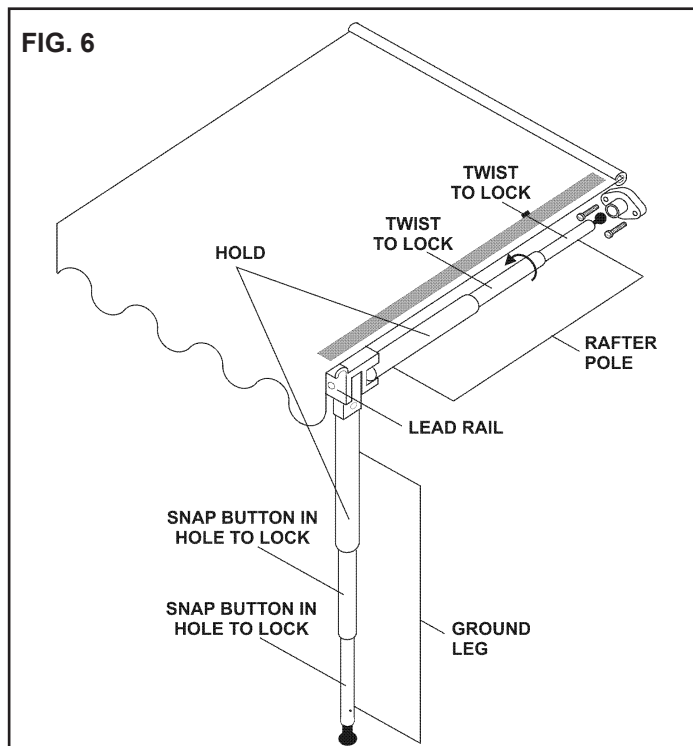
3. Install top pair of sockets with #8 x 3/4" sheet metal screws at each end of awning directly under awning rail. Make sure large groove on socket faces down. Align socket directly under Hook & Loop Fastener tape or zipper, depending on model. See Fig. 5.

4. Install bottom pair of sockets with #8 x 3/4" sheet metal screws at each end of awning below camper top when camper is in open position (approx. between 49" to 52" below awning rail). Large groove on socket should face up. It is very important to keep the bottom pair of sockets out of the way of the camper top when closing camper. See Fig. 5.

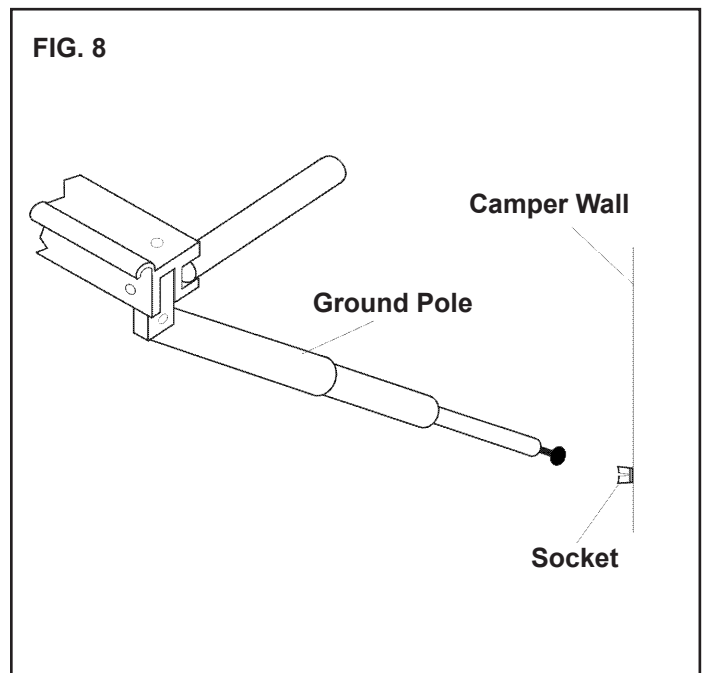
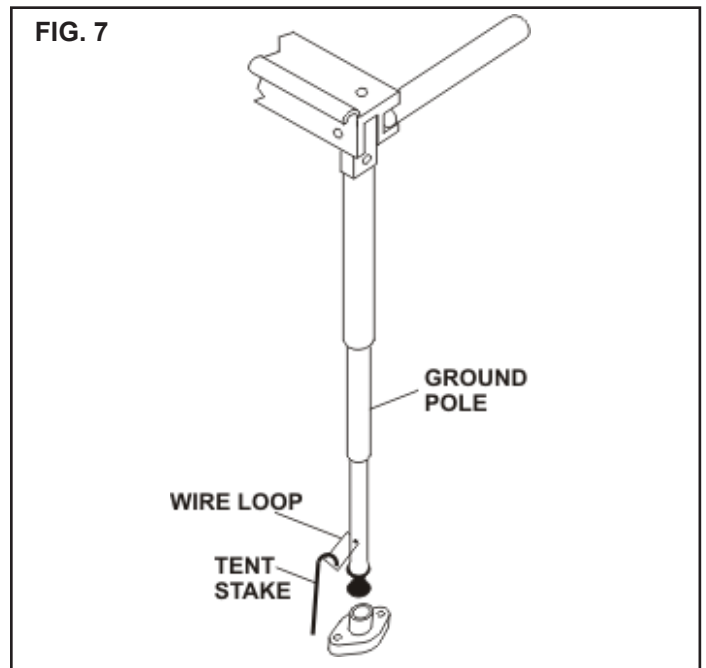


D. Operation

1. Unzip awning bag and untie webbing straps. Unroll awning fabric.
2. Unfold ground legs from lead rail. Extend middle and lower tube (7'-9' models) or lower tube (10'-13' models) to desired height. Hold tube nearest lead rail and locate alignment marks on tubes. See Fig. 6. Alignment marks for 7'-9' models are located on middle and lower tubes. For 10'-13' models, alignment marks are located on top and lower tubes. Align mark on lower tube with mark on middle tube (for 7'-9' models) or with top tube (for 10'-13' models). Push lock button in and slide lower tube into mating tube to lock push button in desired hole. Repeat with middle tube and top tube for 7'-9' models. Top tube has 4 locking positions, each 5" inches apart from each other to adjust to desired height.
3. Unfold rafter poles and extend them into socket under awning rail. Hold tube nearest lead rail and twist middle and lower tube (7'-9' models) or lower tube (10'-13' models) to lock. See Fig. 6.



4. Ground poles can be placed upright in carport position or they can be inserted into sockets (previously installed on camper) up against camper for a patio position awning. Galvanized steel tent stakes and wire loops for tent stakes are provided to position ground poles upright and hold them in the ground. See Fig. 7. Use spare sockets provided to attach to end balls on ground poles to protect end ball when staking poles to ground. Drive stakes into ground capturing stake wire with tent stake. See Fig. 7. To position awning in patio position, extend ground poles and insert bottom end balls into sockets previously installed on camper wall above frame. See Fig. 8.



5. To close awning, reverse Steps 1 through 4.

Note: During rain, awning should be closed or lowered on one end to allow water to run off.

6. After rolling awning up, use tie strap to hold awning securely inside bag. Zip the bag closed for travel.