

RV PRODUCT DATA SHEET

OEM: 4008-101-A65

AFTERMARKET: 4008-101-E65

APPLICATION

Multi-fixture RV adjustable by-pass fresh water pump installation.
Other uses may include 12V DC pressurized water systems in cabins.
This pump may be used for general fresh water transfer.

PUMP:

Type: 4 Chamber Diaphragm pump
Ports: 1/2"-14 NPSM-Male.
Liquid: 130 °F [54 °C] Max
Dry-Prime: 6 feet [1.82 M]
Inlet PSI: 30 PSI [2.1 Bar] Max
Run Dry: Yes

ELECTRICAL:

Motor: 12VDC Permanent Magnet, Intermittent Duty
Protection: Thermal Overload, Automatic Restart
Leads: 16 AWG, 10" [25 cm] Red +, 13" [33 cm] Black -
Fuse: 10 Amp Recommended
Control: Shut-Off 55 PSI [3.8 Bar]
Restart 40 PSI [2.8 Bar]

MATERIALS:

Housing: Polypro
Valves: EPDM
Diaphragm: Santoprene
Hardware: Stainless and Zinc Plated Steel

APPROVALS:

CSA

SHIPPING:

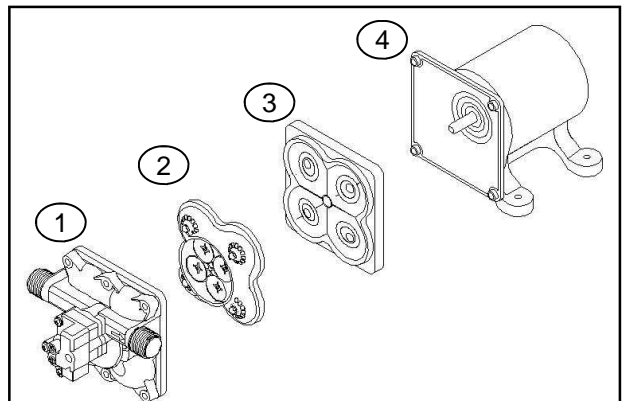
Net Weight: 5 Lb [2.3 Kg] each
Carton Quantity: 12
Carton Weight: 60 Lb [27 Kg]
Carton Size: 24"L x 18"W x 11"H
[60.9cm x 45.7cm x 27.9cm]

RELATED DOCUMENTS:

Catalog: MS-030-138
Installation Manual: 911-1008
Applications Spec Guide: MS-020-005



SHURflo's New Revolution™ fresh water pump design was created with unique one-piece diaphragm and internal by-pass, assuring long life and top performance in all plumbing systems. Designed as the next legendary pump to exceed the expectations of our customers, the Revolution™ pump is constructed for high flow demand, low noise and no rapid cycling. SHURflo's quality reputation has been built on the reliability and dependability of every pump we build. The Revolution™ fresh water automatic demand pump is super quiet, thermally protected and can run dry without damage.

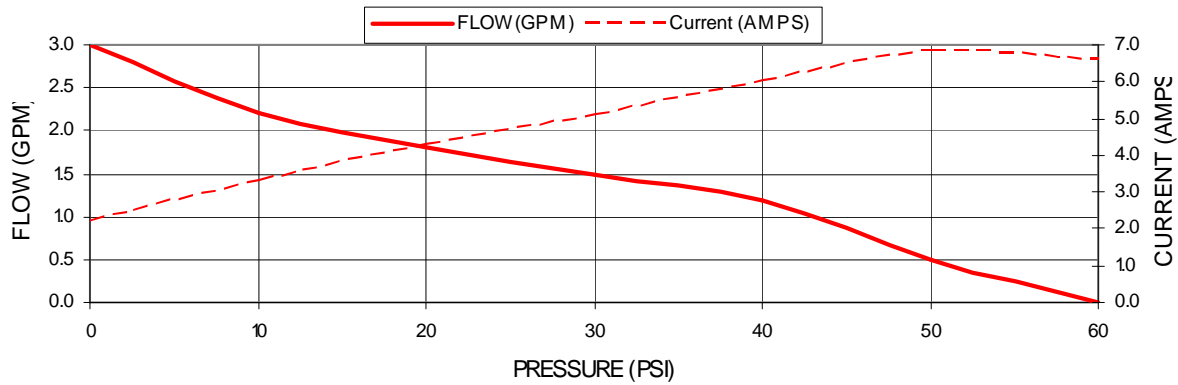


Replacement Kits

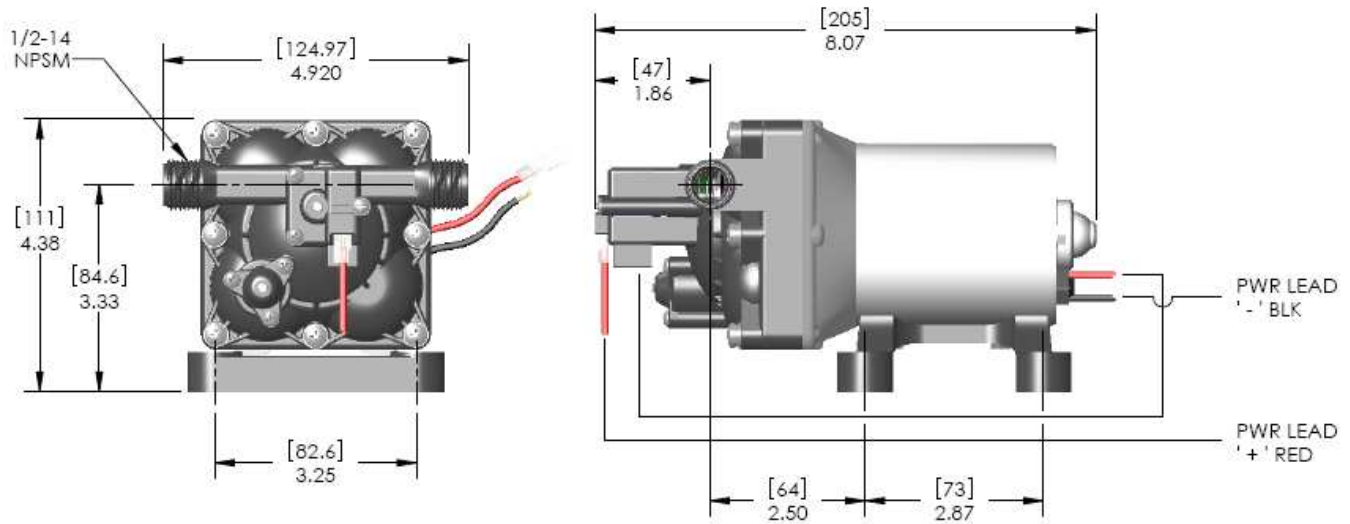
Number	Description	Part Number
1	Upper Assy	94-800-00
2	Valve Assy	94-800-01
3	Drive Assy	94-800-02
4	Motor	94-11-302-00
Not Shown	Check Valve	94-800-03
1,2,3	Pump Head	94-800-04
Not Shown	Pressure Sw.	94-800-05

TYPICAL PERFORMANCE

PRESSURE		FLOW		CURRENT
BAR	PSI	GPM	LPM	AMPS
0.0	0	3.0	11.3	2.2
0.7	10	2.2	8.3	3.3
1.4	20	1.8	6.8	4.3
2.1	30	1.5	5.7	5.1
2.8	40	1.2	4.5	6.0
3.4	50	0.5	1.9	6.8
4.1	60	0.0	0.0	6.6



DIMENSIONS [mm]



SHURflo reserves the right to update specifications, prices or make substitutions without notice.

SHURflo
52748 Park Six Court
Elkhart Indiana 46514-5427
Toll Free: (800) 854-3218
Fax: (574) 264-2169

SHURflo Europe, Middle East, Africa
Pentair Water Belgium bvba
B-2200 Herentals, Belgium
Phone: +32-14-283500
Fax: +32-14-283505

Visit our Website at www.shurflo.com

