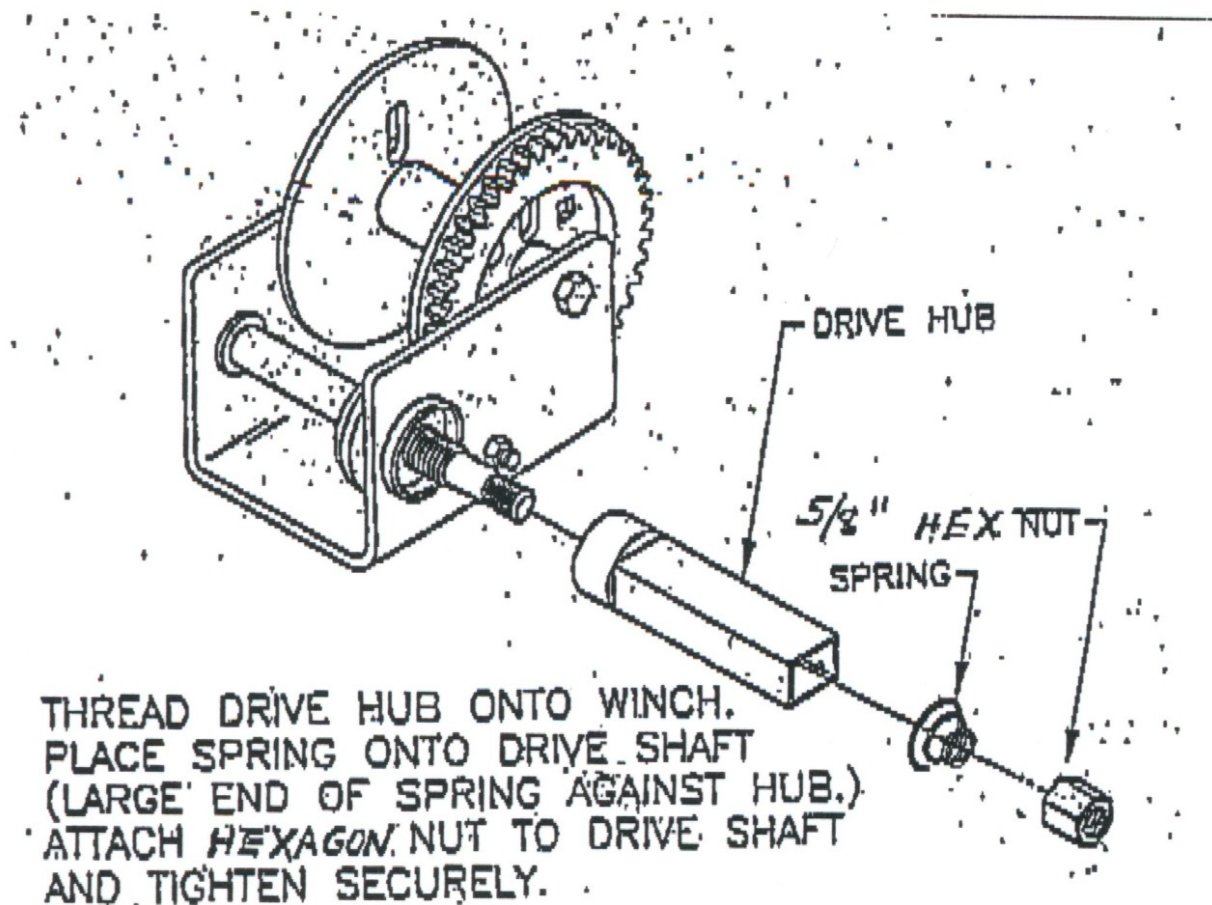




7575 S. Howell Avenue, Oak Creek, WI 53154 - Phone: (414) 762-7950

**HANNARV.COM**

For Models from before 09/2004 you will need to use a fine thread bolt  
For Models after 09/2004 you will need to use a coarse thread bolt



HOW TO TELL WHICH THREAD IS NEEDED (COARSE  
OR FINE) DATE STAMP ON WINCH (EXAMPLE 3401 IS  
THIRTY FOURTH WEEK OF YEAR 2001.