

# Installation Instructions

## 8891100 LED Mini Light Bar



on/off ——— flash pattern selector

### Flash Patterns

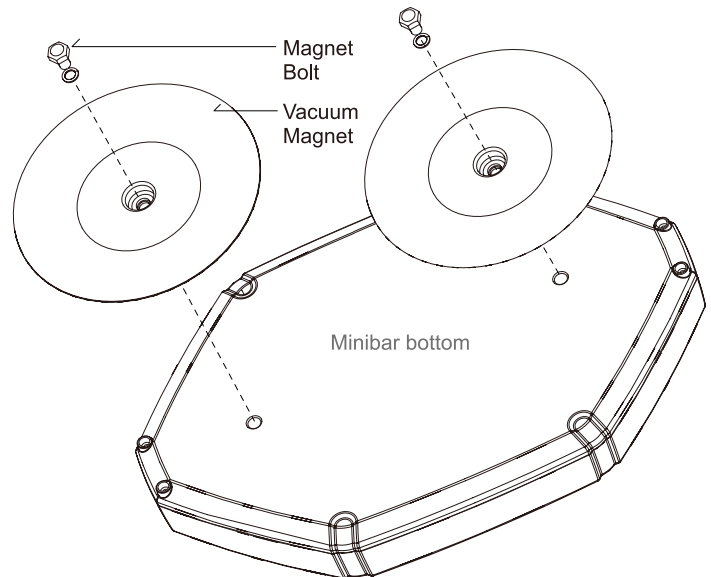
Momentarily push the Flash Pattern button:

- Once for next pattern
- Quickly 3 times for reset to FP#0

### WARNING

**Do not look directly into LEDs while in operation; this may cause momentary blindness and/or eye damage.**

### Vacuum Magnet Mount (Standard)



FP#	Flash Patterns
0	Kit Scan (split)
1	Outside-In Single
2	Outside-In Ultra
3	Side-by-Side Single
4	Side-by-Side Ultra
5	Random
6	Single (split)
7	Double (split)
8	Quad (split)
9	Quint (split)
10	Mega (split)
11	Ultra (split)
12	Single-Quad (split)

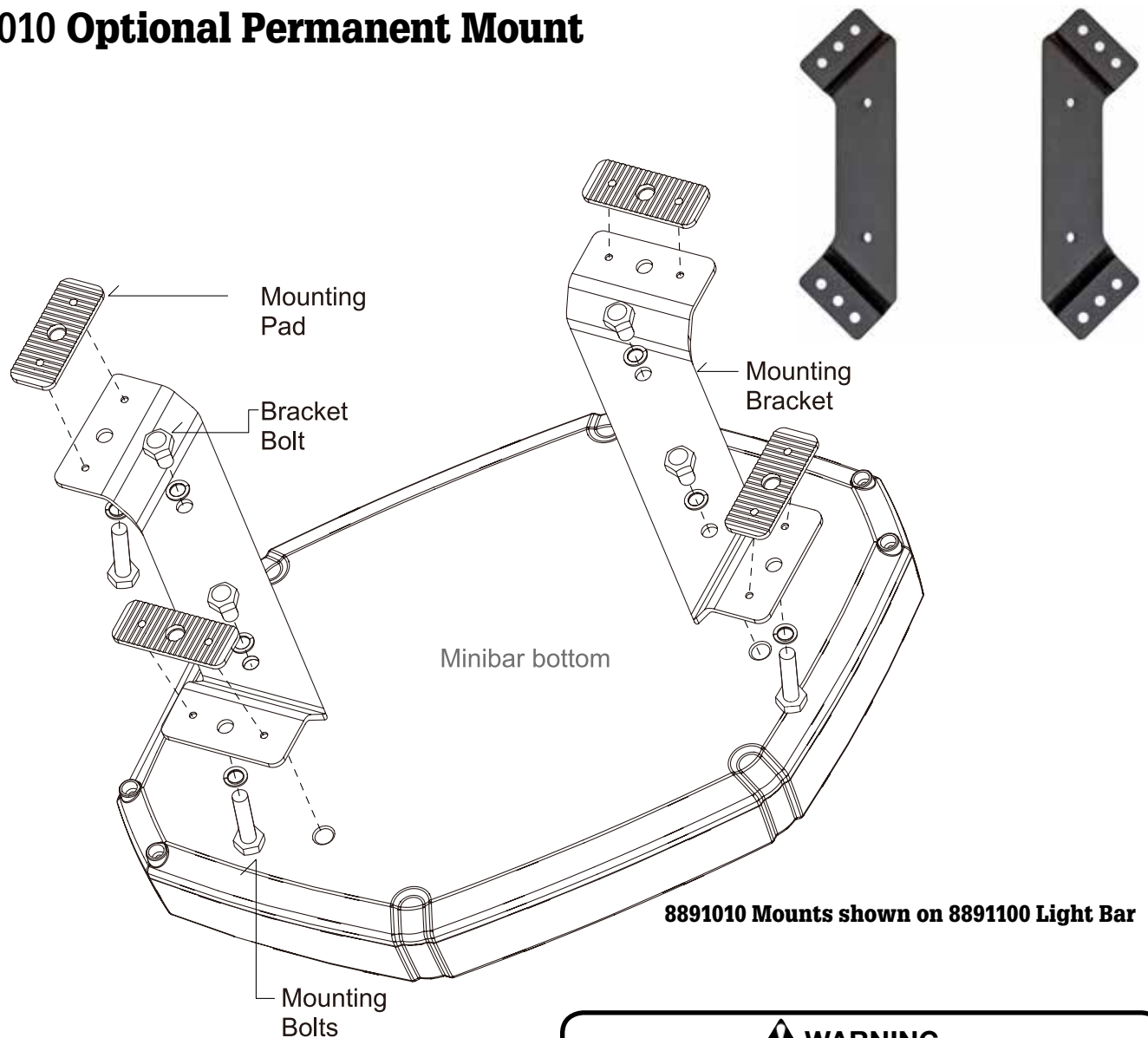
FP#	Flash Patterns
13	Single H/L (split)
14	Single (all)
15	Double (all)
16	Quad (all)
17	Quint (all)
18	Mega (all)
19	Ultra (all)
20	Single-Quad (all)
21	Single H/L (all)
22	Single Cross
23	Ultra Cross
24	Rotator 1
25	Rotator 2

### WARNING

**It is not recommended to use magnetically mounted warning devices on the exterior of vehicles in motion. Usage is at the sole risk and responsibility of the user.**

**Note:** This unit is not factory set to FP#0

## 8891010 Optional Permanent Mount



8891010 Mounts shown on 8891100 Light Bar

### WARNING

**Do not look directly into LEDs while in operation; this may cause momentary blindness and/or eye damage.**

### Wiring Code

<b>RED:</b>	To +VDC (fuse @ 10A)
<b>BLACK:</b>	To Chassis Ground (-)
<b>WHITE:</b>	For Simultaneous or Alternating Flash - Group 1 Units: (Wiring - WHITE connected to RED) will flash together - Group 2 Units: (Wiring - WHITE not connected to RED) will flash together *Group 1 Units will alternate with Group 2 Units
<b>YELLOW:</b>	Flash Patterns & Synchronization - Connect YELLOW wires of all head together for synchronization *All heads must be set to the same pattern

### WARRANTY

Buyers Products Co. warrants all truck/trailer hardware manufactured or distributed by it, to be free from defects in material and workmanship for a period of one year from date of shipment. Parts must be properly installed and used under normal conditions. Any product which has been altered, including modification, misuse, accident or lack of maintenance will not be considered under warranty. Normal wear is excluded. The sole responsibility of Buyers Products Co. under this warranty is limited to repairing or replacing any part or parts which are returned, prepaid, and are found to be defective by Buyers Products Co. Authorization from Buyers Products Co. must be obtained before returning any part. No charges for transportation or labor performed on Buyers' products will be allowed under this warranty.