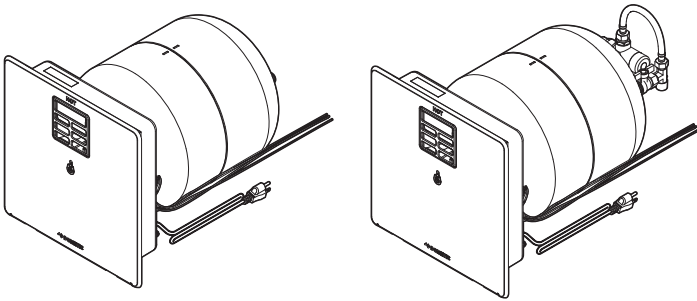


# DOMETIC

# HEATING

# WATER HEATERS



WH - 6GA, WH - 6GEA, WH - 9GEA

**EN** **L.P. Gas Water Heater**  
Installation and Operation Manual . . . . . 2

**FR** **Chauffe-eau à gaz P.L.**  
Manuel d'installation et d'utilisation . . . . 25

**⚠ WARNING.**  
This product can expose you to lead, which is known to the state of California to cause cancer and birth defects or other reproductive harm. For more information, go to [www.P65warnings.ca.gov](http://www.P65warnings.ca.gov).

**⚠ WARNING: BURN HAZARD, FIRE, EXPLOSION, AND/OR CARBON MONOXIDE HAZARD.**  
Keep the water heater area clear of combustible cleaning materials, gasoline, and other flammable vapors and liquids. Failure to obey this warning could result in death or serious injury.



**WARNING: If the information in this manual is not followed exactly, a fire or explosion may result, causing property damage, personal injury, or death.**

– Do not store or use gasoline or other flammable vapors and liquids in the vicinity of this or any other appliance.

– **WHAT TO DO IF YOU SMELL GAS**

- Evacuate all persons from the vehicle.
- Shut off gas supply at the gas container or source.
- Do not touch any electrical switch, or use any phone or radio in the vehicle.
- Do not start the vehicle's engine or electric generator.
- Contact the nearest gas supplier or qualified service technician for repairs.
- If you cannot reach a gas supplier or qualified service technician, contact the nearest fire department.
- Do not turn on the gas supply until the gas leak(s) has been repaired.

– Installation and service must be performed by a qualified installer, service agency or the gas supplier.

**Service Center & Dealer Locations**

Visit: [www.dometic.com/support](http://www.dometic.com/support)

Read these instructions carefully. These instructions **MUST** stay with this product.

**Contents**

**1 Explanation of Symbols and Safety Instructions . . . . . 2**

1.1 Recognize Safety Information . . . . . 2

1.2 Understand Signal Words . . . . . 2

1.3 Supplemental Directives . . . . . 3

1.4 General Safety Messages . . . . . 3

**2 Intended Use . . . . . 3**

**3 General Information . . . . . 3**

3.1 Tools and Materials . . . . . 3

3.2 Component Locations . . . . . 4

3.3 Model Identification . . . . . 4

3.4 Unit Specifications . . . . . 5

**4 Installation . . . . . 5**

4.1 Preparing the Installation Location . . . . . 6

4.2 Blocking the Water Heater . . . . . 7

4.3 Installing the Water Hose . . . . . 7

4.4 Installing The Gas Line . . . . . 8

4.5 Installing The Control Switch . . . . . 8

4.6 Wiring the 115 VAC Power Supply . . . . . 9

4.7 Installing The Unit . . . . . 11

4.8 Installing The Access Door . . . . . 13

4.9 Performing Leak Testing . . . . . 13

**5 Operation . . . . . 13**

5.1 Operating the Electronic Control . . . . . 14

5.2 Clearing a Water Heater Operation Failure . . . . . 15

5.3 Shutting Down the Water Heater . . . . . 15

**6 Maintenance And Care . . . . . 15**

6.1 Servicing the DSI Control Board . . . . . 16

6.2 Performing Preventative Maintenance . . . . . 16

6.3 Electronic Ignition Module Cleaning . . . . . 17

6.4 Maintaining the Water Heater Tank . . . . . 17

6.5 Special Requirements for EXT Models . . . . . 19

6.6 Servicing the Mixing Valve . . . . . 19

6.7 Servicing the P/T Relief Valve . . . . . 19

6.8 Using After-Market Water Heating Element Devices . . . . . 20

**7 Wiring Diagrams . . . . . 21**

**8 Disposal . . . . . 22**

**9 Warranty Information . . . . . 22**


9.1 United States and Canada . . . . . 22

9.2 All Other Regions . . . . . 22

**1 Explanation of Symbols and Safety Instructions**


This manual has safety information and instructions to help you eliminate or reduce the risk of accidents and injuries.


**1.1 Recognize Safety Information**


 **This is the safety alert symbol.** It is used to alert you to potential physical injury hazards. Obey all safety messages that follow this symbol to avoid possible injury or death.

**1.2 Understand Signal Words**

A signal word will identify safety messages and property damage messages, and also will indicate the degree or level of hazard seriousness.

 **DANGER**  
Indicates a hazardous situation that, if **not** avoided, will result in death or serious injury.

 **WARNING**  
Indicates a hazardous situation that, if **not** avoided, could result in death or serious injury.

 **CAUTION**  
Indicates a hazardous situation that, if **not** avoided, could result in minor or moderate injury.

**NOTICE:** Used to address practices **not** related to physical injury.

**i** Indicates additional information that is **not** related to physical injury.

### 1.3 Supplemental Directives

To reduce the risk of accidents and injuries, please observe the following directives before proceeding to install or operate this appliance:

- Read and follow all safety information and instructions.
- Read and understand these instructions before installing, operating, or servicing this product.
- Installation and service must be performed by a qualified Service Technician, Service Center, OEM, or Gas Supplier.
- The installation must comply with all applicable local or national codes, including the latest edition of the following standards:

#### U.S.A.

- ANSI/NFPA70, National Electrical Code (NEC)
- ANSI/NFPA 1192, Recreational Vehicles Code
- ANSI Z223.1 National Fuel Gas Code
- Federal Mobile Home Construction & Safety Standard, Title 24 CFR, part 3280, or when this Standard is not applicable, the Standard for Manufactured Home Installations (Manufactured Home Sites, Communities and Set-Ups), ANSI A255.1
- ANSI Z21.10.1, Gas Water Heaters
- A119.5, Park Trailers

#### Canada

- CSA C22.1, Parts I & II, Canadian Electrical Code
- CSA Z240 RV Series, Recreational Vehicles
- CAN/CGA B149 Installation Codes
- CAN/CSA-2240 MH Series, Mobile Homes
- CSA 4.1 (latest edition)

### 1.4 General Safety Messages

**⚠ WARNING: FIRE AND/OR EXPLOSION HAZARD.**  
**Failure to obey the following warnings could result in death or serious injury:**

- Follow the information in this manual exactly.
- Do not store or use gasoline or other flammable vapors and liquids in the vicinity of this or any other appliance.

## 2 Intended Use

This Water Heater is designed and intended for use in a recreational vehicle (hereinafter referred to as "RV") for which it is supplied. This product is designed to heat water and is not intended to be used as a space heater for hydronic heating. Use these instructions to ensure correct installation, operation, and maintenance of the Water Heater. Dometic Corporation reserves the right to modify appearances and specifications without notice.

Dometic Corporation accepts no liability for damage in the following cases:

- Faulty assembly or connections
- Damage to the product resulting from mechanical influences and excess voltage
- Alterations to the product without express permission from the manufacturer
- Use for purposes other than those described in this manual

## 3 General Information

**NOTICE:** This section provides reference information regarding the recommended installation tools and materials, the unit components, and the model identification associated with the different water heater models.

**i** The images used in this document are for reference purposes only. Components and component locations may vary according to specific product models. Measurements may vary  $\pm 0.38$  in. (10 mm).

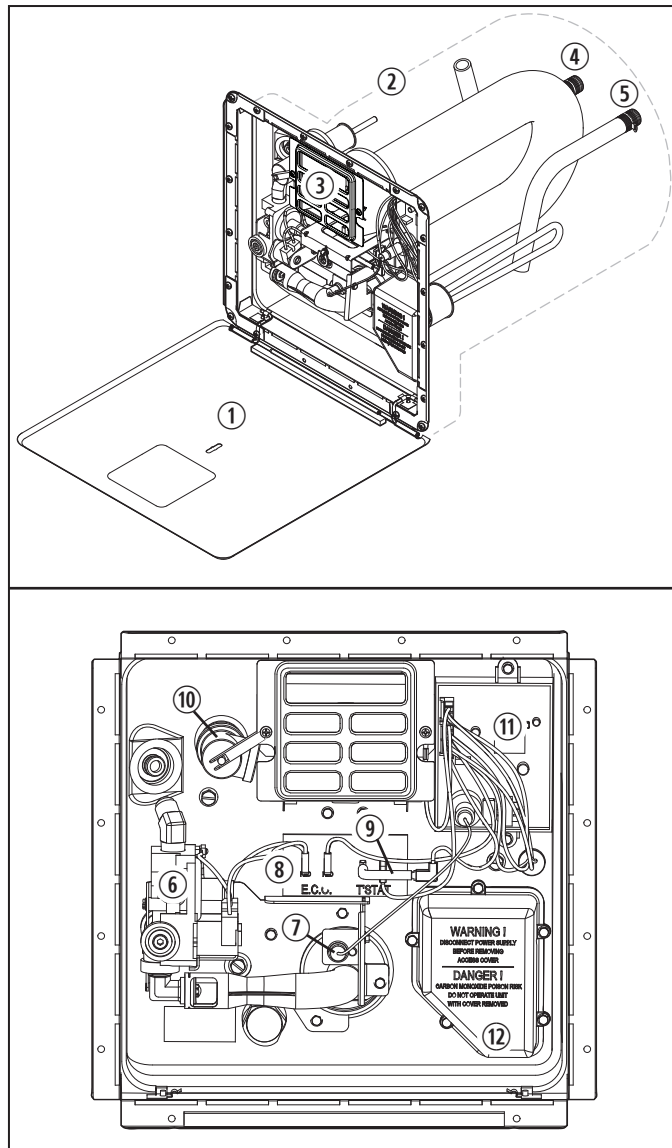
### 3.1 Tools and Materials

Dometic Corporation recommends that the following tools be used while servicing the Water Heaters.

Recommended Tools and Materials	
Caulk or Butyl tape 1-1/3 in. x 1/8 in. (3.38 cm x 0.32 cm)	No. 8 - 3/4 in. (22.22 cm) round head screws or equivalent
Sealant	2x2 Lumber
12 VDC Battery	Leak Detection Solution

### 3.2 Component Locations

“Component Locations” on page 4 illustrates the component locations for the Water Heater.

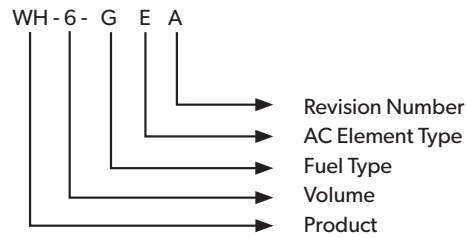


**1** Component Locations

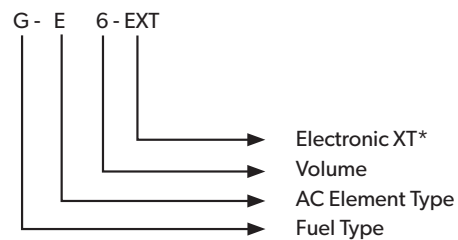
- ① Access Door
- ② Water Heater Tank
- ③ Flue Assembly
- ④ Hot Water Outlet
- ⑤ Cold Water Inlet
- ⑥ Gas Valve
- ⑦ Electrode
- ⑧ E.C.O./Thermostat
- ⑨ Thermal Cut-off
- ⑩ P/T Relief Valve
- ⑪ DSI Control Board
- ⑫ Electric Junction Box/Element Access Cover (this cover must be sealed)

### 3.3 Model Identification

This section describes the breakdown of the model identification numbers.



<b>Product</b>	WH = Water Heater
<b>Volume</b>	6 = 6 gallons
<b>Fuel Type</b>	G = Gas (Propane)
<b>AC Element Type</b>	E = Electric
<b>Revision</b>	A



<b>Fuel Type</b>	G = Gas (Propane)
<b>AC Element Type</b>	E = Electric
<b>Volume</b>	6 = 6 gallons
<b>Electronic XT</b>	EXT = Electronic XT Included

\*EXT indicates Electronic Exothermal (XT) technology.

#### Available Models

WH - 6GA = 6 gallon gas only

WH - 6GEA = 6 gallon gas and electric

\*WH - 9GEA = 9 gallon effective

\* The water heaters actual capacity is 6 gallons respectively. The effective capacity, calculated gallons of 130°F (54°C) moderated water is 9 gallons.

**i** Regardless of your revision number, these instructions are still generally applicable to your unit. If you have questions, contact your dealer, a Dometic Service Center, or the Dometic Service Department.

### 3.4 Unit Specifications

The Basic Water Heater Specifications Table provides the unit dimensions and weight specifications for basic 6-gallon water heater models.

**Basic Water Heater Specifications Table**

Width	Height	Shipping Weight
12.75 in. (32.38 cm)	12.75 in. (32.38 cm)	25 lbs (11.33 Kg)

The EXT Water Heater Specifications Table provides the unit dimensions and weight specifications for EXT 6-gallon water heater models.

**EXT Water Heater Specifications Table**

Width	Height	Shipping Weight
12.75 in. (32.38 cm)	12.5 in. (31.75 cm)	25 lbs (11.33 Kg)

The Pressure and Voltage Specifications Table provides the system voltage readings at minimum and maximum gas pressure.

**Pressure and Voltage Specifications Table**

Gas Pressure	Voltage
Minimum 10 in. W.C.	Minimum 10 VDC
Maximum 13 in. W.C.	Maximum 14 VDC

Category 1 direct vent appliance

The maximum inlet gas pressure must not exceed 13 in. W.C. For input adjustments, the minimum gas pressure must not be below 10 in. W.C.

## 4 Installation



### **DANGER! CARBON MONOXIDE POISONING HAZARD.**

This product can produce carbon monoxide, which has no odor and can be life-threatening. Avoid improper adjustment, alterations, service, or maintenance. Follow instructions for the proper installation of this appliance. Failure to obey this danger notification can result in improper installation causing carbon monoxide poisoning that will result in death or serious injury.



### **WARNING: FIRE AND/OR ELECTRICAL SHOCK HAZARD. Failure to obey the following warnings could result in death or serious injury:**

- Make sure there are no obstacles (wires, pipes, etc.) inside of the RV roof or walls at the installation locations.
- Shut off the gas supply, disconnect the 120 VAC power from RV, and disconnect the positive (+) 12 VDC terminal from supply battery before drilling or cutting into the RV.



### **WARNING: ELECTRICAL GROUNDING INSTRUCTIONS.**

This appliance is equipped with a three-prong (grounding) plug for your protection against shock hazards and should be plugged directly into a properly grounded three-prong receptacle. Do not cut or remove the grounding prong from this plug. Failure to obey this warning could result in death or serious injury.

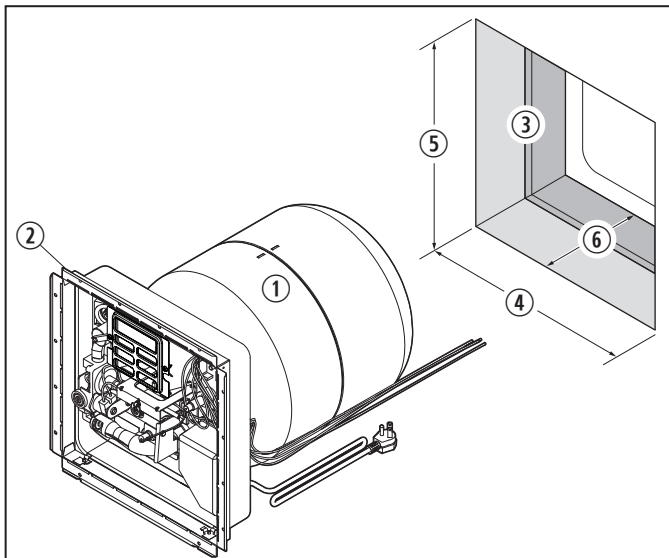


This is a common installation for water heaters. There are other approved methods such as Baggage Compartment and Flush Mount installations. Consult your Field Auditor, Account Manager, or the Dometic Service Department if you have questions.

This section describes how to install the Water Heater and control switch. Please consider the following directives prior to beginning installation:

- This appliance must be installed by a qualified professional installer.
- The water heater tank must be supported at the same level as the bottom of the sidewall cutout. Provide adequate clearance at the rear of the unit for easy service access to the water connections.
- If the appliance is installed where a connection or tank leakage can damage an adjacent area, install a drain pan (which can be drained outside of the RV) under the Water Heater.
- To install the Water Heater on carpeting, install the Water Heater onto a metal or wood panel that extends at least 3 in. (7.62 cm) beyond the total width and depth of the Water Heater.

### 4.1 Preparing the Installation Location



**2** Preparing the Installation

- ① Water Heater
- ② Flange
- ③ Cutout Frame
- ④ Cutout Width
- ⑤ Cutout Height
- ⑥ Cutout Depth

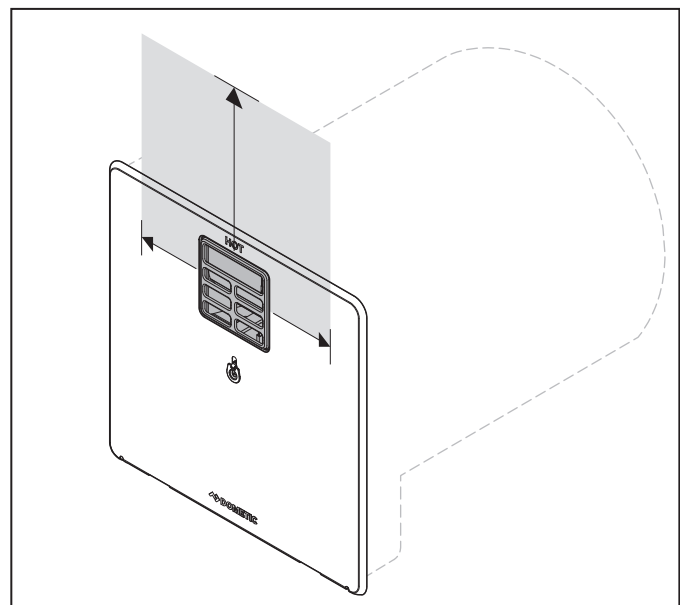
1. Plan the location of the Water Heater within the RV.
2. Erect the side walls and cut the square opening. Refer to the following tables for cutout and clearance specifications for basic water heater models.

Model	Cutout Width and Height	Cutout Depth
WH - 6GA WH - 6GEA	12-7/8 in. ± 1/8 in. (32.70 cm ± 3.0 mm)	19.5 in. (49.53 cm)
WH - 9GEA		24.0 in. (60.96 cm)

The following table shows the requirements for the minimum clearance from combustible construction.

Sides	Back	Top	Bottom
0 in. (0 cm)	0 in. (0 cm)	0 in. (0 cm)	0 in. (0 cm)

The following figure and table show the minimum required clearances between the water heater vent and any projection or plastic part on the side of the RV.

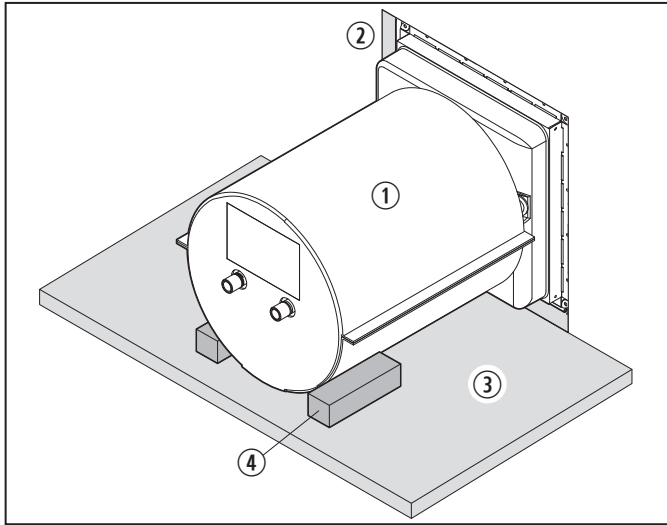


**3** Vent Clearances

Sides	Top
3 in. (7.62 cm)	12 in. (30.48 cm)

3. Frame the cutout with 2 x 2 lumber or equivalent.
4. Bend all flanges 90° along the scored lines.
5. Block the Water Heater. Refer to "Blocking the Water Heater" on page 7.

## 4.2 Blocking the Water Heater

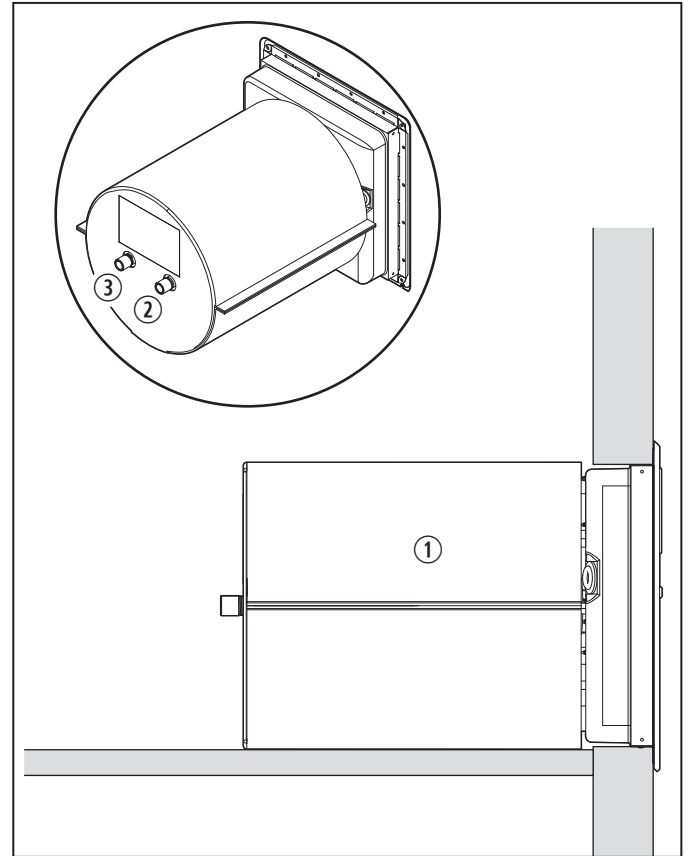


### 4 Blocking the Water Heater

- |                |              |
|----------------|--------------|
| ① Water Heater | ③ Floor      |
| ② Cutout Frame | ④ Wood Block |

1. Place the Water Heater into the cutout location.
2. At the back of the cutout, measure the distance between the side of the cutout and the side of the Water Heater.
3. Remove the Water Heater from the cutout location.
4. Mark the appropriate measured distance taken in step 2 on each side along the back of the cutout.
5. Place a block of 2 x 2 lumber (minimum) that is at least 6 in. (15 cm) long at each marked location.
6. Secure the wood blocks to the floor.

## 4.3 Installing the Water Hose



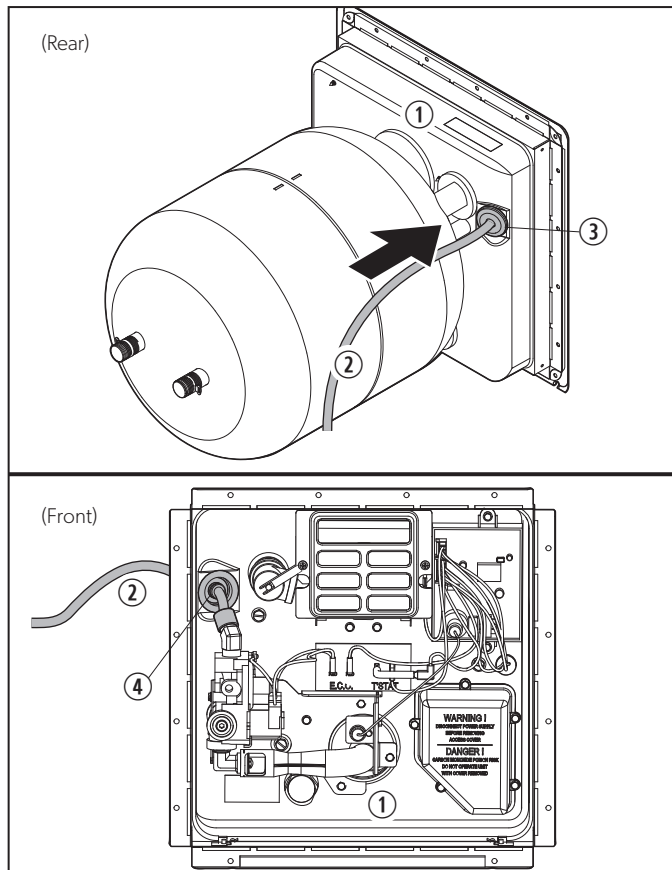
### 5 Hose Connections

- |                    |                    |
|--------------------|--------------------|
| ① Water Heater     | ③ Cold Water Inlet |
| ② Hot Water Outlet |                    |

1. Position the Water Heater onto the planned location on the floor of the RV.
  2. Remove the red thread protector from the 1/2 in. (1.27 cm) hot water outlet.
  3. Apply pipe lubricant to the threads of the 1/2 in. (1.27 cm) National Pipe Tapered (NPT) hot water outlet hose.
  4. Connect the 1/2 in. (1.27 cm) (NPT) hot water outlet hose to the proper fitting on the Water Heater using a suitable fitting.
- NOTICE:** Allow flexibility in the water and gas hoses so you can pull the unit forward through the wall 1 in. (2.54 cm) past the skin.
5. Remove the blue thread protector from the 1/2 in. (1.27 cm) cold water inlet.

- Apply sealant to the threads of the 1/2 in. (1.27 cm) (NPT) cold water inlet hose.
- Connect the 1/2 in. (1.27 cm) (NPT) cold water inlet hose to the proper fitting on the Water Heater using a suitable plastic fitting.

## 4.4 Installing The Gas Line



**6** Sealing the Gas Line Opening With the Grommet

- |                |                   |
|----------------|-------------------|
| ① Water Heater | ③ Grommet         |
| ② Gas Line     | ④ Housing Opening |

- Connect the 3/8 in. (0.95 cm) flared L.P. gas line to the Water Heater.
- Slide the grommet onto the 3/8 in. (0.95 cm) tubing.
- Flare the gas line as necessary.

**i** If the 3/8 in. (0.95 cm) gas line is already flared, cut the grommet on one side. Place the split grommet over the gas line and press it into the opening in the housing.

- Pull the 3/8 in. (0.95 cm) gas line and grommet through the opening in the water heater housing.
- Connect the flare fitting and press the grommet into the opening. Caulk around the grommet if the grommet was cut during the gas line installation.

## 4.5 Installing The Control Switch

Dometic recommends that the Water Heater unit be connected directly to a 12 VDC battery or to the filtered side of an AC/DC converter. Avoid connections to the unfiltered side of an AC/DC converter whenever possible. Use a minimum of 18-gauge wire, UL and CSA listed.

**i** The 12 VDC control wiring in the Water Heater is 18-gauge stranded wire rated for 105°C (221°F). This 18-gauge wire should be sufficient for the 12 VDC control wire coming from the Water Heater to the switch and the 12 VDC power source; however, consult all local and national codes relating to your specific installation to verify.

### 4.5.1 Preparing the Control Switch Installation Location

**⚠ WARNING: FIRE AND OR ELECTRICAL SHOCK HAZARD. Failure to obey the following warnings could result in death or serious injury.**

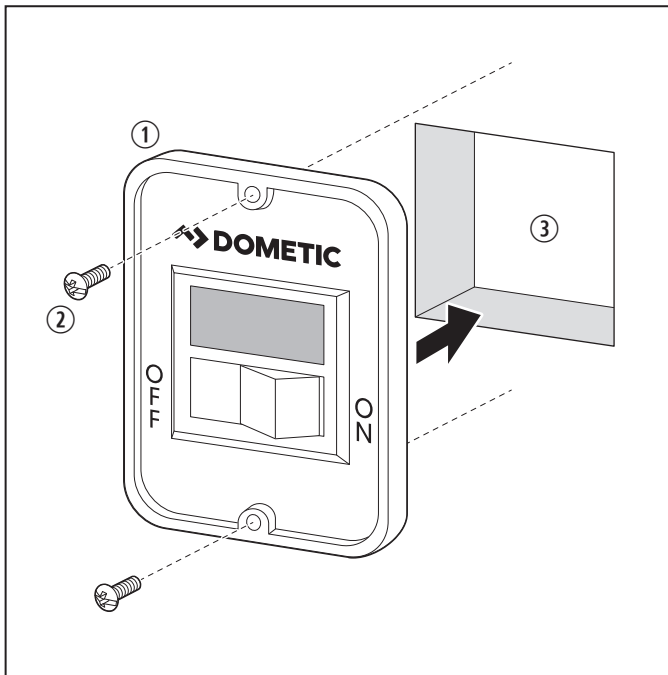
- Make sure there are no obstacles (wires, pipes, etc.) inside of the RV roof or walls at the installation locations.
- Shut off the gas supply, disconnect the 120 VAC power from RV, and disconnect the positive (+) 12 VDC terminal from supply battery before drilling or cutting into the RV.

**i** An illuminated light on the switch plate indicates a fault condition (no heat).

When planning the location of the control switch(es), be sure to choose an easily accessible area for both use and service.

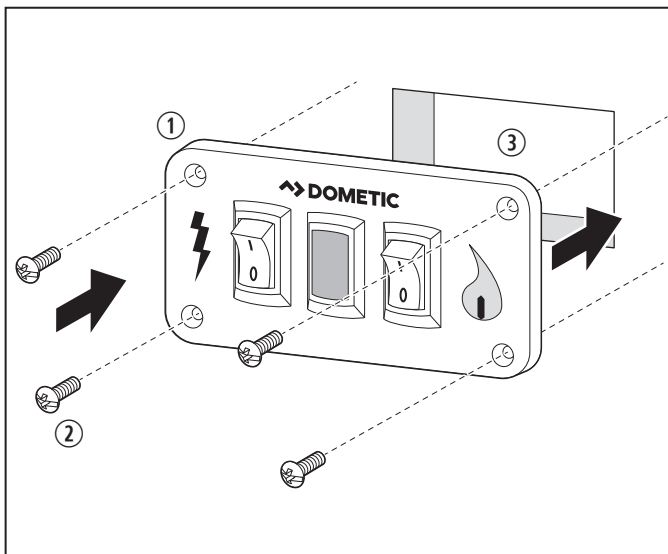
**i** Combination single switch models will have two single switches (one for the gas heating element and one for the electric control) that will need to be installed in convenient locations.





**7** Installing the Single Switch

- ① Single Switch                      ③ Wall Cutout  
 ② Wall Mounting Screw



**8** Installing the Dual Switch

- ① Dual Switch                      ③ Wall Cutout  
 ② Wall Mounting Screw

1. Plan the location of the control switch(es).
2. Cut the appropriate size hole to fit the control switch leaving enough room to mount the switch using the proper hardware.

## 4.5.2 Completing the Control Switch Installation

**i** Prior to completing the control switch installation, refer to “Wiring the 115 VAC Power Supply” on page 9.

1. Position the wall plate with the letters and symbols oriented properly.
2. Use four screws to mount the control switch. Tighten the screws to hold the control switch(es) firmly in place.
3. Turn the switch(es) to the OFF position.

**i** For dual control switches, ensure both switches are turned to the OFF position.

## 4.6 Wiring the 115 VAC Power Supply

### **⚠ WARNING: FIRE HAZARD.**

When a cord and plug connection to the power supply are used on a water heater, the power cord must be UL listed as suitable for damp locations, hard or extra hard usage. The cord must be a flexible type such as S, SO, ST, STO, SJ, SJT, SJTO, HS or HSO described in the National Electric Code ANSI/NFPA 70. The length of the external cord to the water heater, measured to the face of the attachment plug, shall be no less than 2 ft (60.96 cm) and no more than 6 ft (182.88 cm). The supply cord must be a minimum of 14 AWG. The attachment plug must be rated at 15 A. Failure to obey this warning could result in death or serious injury.

**NOTICE:** Do not route wires around sharp objects or where it could be smashed.

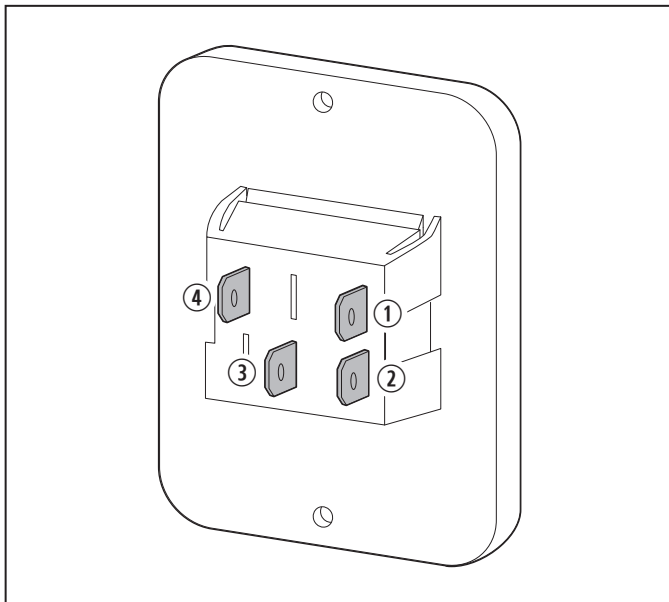
**NOTICE:** When using Romex® with a bare earth ground, be sure to position the ground wire so it does not contact the heating element terminals. Damage to the ground wire can occur.

**i** Refer to “Wiring Diagrams” on page 21 for a comprehensive wiring schematic.

Consider the following before wiring the control switch:

- The three-prong plug must be secured to a UL approved, dedicated, minimum 15 A-rated, three-prong receptacle.
- All wiring must comply with applicable electrical codes.
- Use electrical metallic tubing, flexible metal conduit, metal clad cable, or nonmetallic-sheathed cable with a grounding conductor.
- Wires must have a capacity of 1400 W or greater.
- The wiring method must conform to applicable sections of article 551 of National Electrical Code ANSI/NFPA 70.
- The receptacle must be located per all applicable codes and away from any water.

#### 4.6.1 Configuring a Single Control Switch



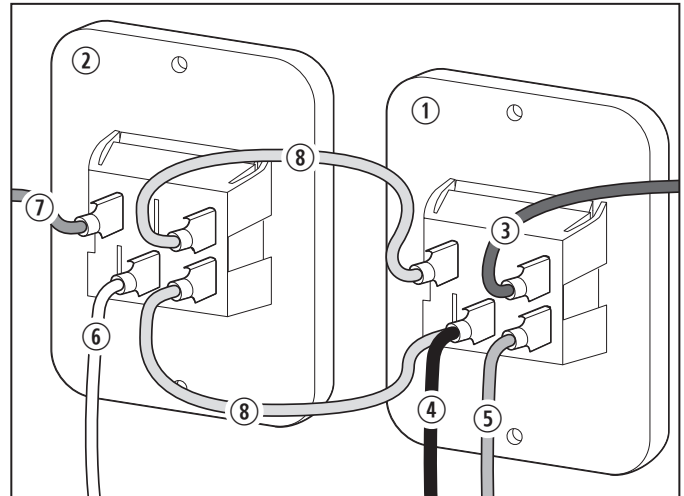
9 Control Switch Wiring

- |                        |                          |
|------------------------|--------------------------|
| ① Lock-Out Lamp (Blue) | ③ Control (White/Orange) |
| ② +12 VDC (Black)      | ④ Ground (Green)         |

1. Install the blue wire for the lock-out lamp from the Water Heater onto the spade connector on the back of the control switch.
2. Install the black +12 VDC wire onto the spade connector on the back of the control switch.

3. Install the white wire or orange wire (depending on the power source) from the Water Heater onto the spade connector on the back of the control switch.
4. Install the green ground wire from the spade connector on the back of the control switch to an appropriate ground location.

#### 4.6.2 Configuring a Single Combination Control Switch



10 Single Combination Switch Wiring

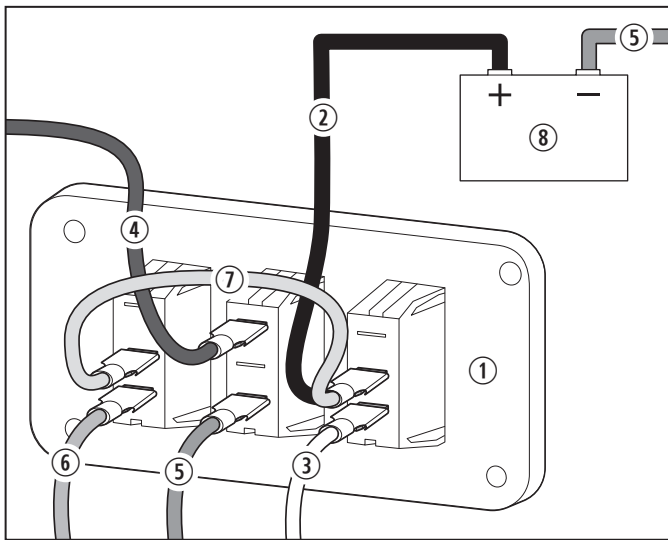
- |                        |                      |
|------------------------|----------------------|
| ① Heating Element      | ⑤ Gas (Orange)       |
| ② Electronic Control   | ⑥ Electronic (White) |
| ③ Lock-Out Lamp (Blue) | ⑦ Ground (Green)     |
| ④ +12 VDC (Black)      | ⑧ Jumper Wire        |

**i** Single combination control models require the use of two switches. Assign and label one switch for the gas heating element and one switch for electronic control.

1. Install the blue wire for the lock-out lamp from the Water Heater to the proper spade connector on the back of the control switch assigned for the heating element.
2. Install the black +12 VDC wire to the spade connector on the back of the control switch assigned for the gas heating element.
3. Install the orange wire from the Water Heater onto the spade connector on the back of the control switch assigned for the gas heating element.

4. Install a jumper wire onto the spade connectors on the back of each switch.
5. Install another jumper wire onto the spade connectors on the back of each switch.
6. Install the white wire from the Water Heater onto the spade connector on the back of the control switch assigned for electronic control.
7. Install the green ground wire from the spade connector on the back of the control switch assigned for electronic control and to an appropriate ground location.

### 4.6.3 Configuring a Dual Control Switch



**11** Dual Switch Wiring

- |                        |                       |
|------------------------|-----------------------|
| ① Control Switch       | ⑤ Ground Wire (Green) |
| ② +12 VDC (Black)      | ⑥ Gas (Orange)        |
| ③ Electronic (White)   | ⑦ Jumper Wire         |
| ④ Lock-Out Lamp (Blue) | ⑧ Battery             |

**i** The face of the control switch indicates which switch is intended for each control option. The lightning bolt indicates use with the electronic control while the flame indicates use with the gas heating element. It is important to wire the switches accordingly.

1. Install the black +12 VDC wire from the battery onto the spade connector on the back of the electronic control switch.

2. Install the white wire from the Water Heater to the spade connector on the back of the electronic control switch.
3. Install the blue wire from the Water Heater for the lock-out lamp onto the spade connector on the blank port of the control switch.
4. Install the green ground wire from the Water Heater to the negative post on the battery.
5. Install the ground wire from the spade connector on the blank port of the control switch to an appropriate ground location.
6. Install the jumper wire onto the spade connectors between the electronic control switch and the gas heating element switch.
7. Install the orange wire from the Water Heater onto the spade connector on the gas heating element switch.

### 4.7 Installing The Unit

**⚠ WARNING: CARBON MONOXIDE, FIRE AND/OR EXPLOSION HAZARD. Failure to obey the following warnings could result in death or serious injury:**

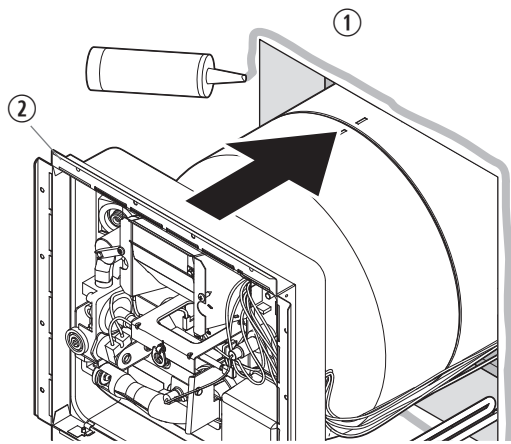
- Be sure the unit is vented and sealed properly to avoid the collection of carbon monoxide inside of the RV.
- All combustion air must be supplied from outside of the RV. All combustion products must be vented to the outside of the RV.
- Do **not** vent the water heater with a venting system that serves another appliance.
- Do **not** vent the water heater to an outside enclosed porch area.
- Protect building material from flue gas exhaust.
- Install the water heater on an exterior wall with access to a door opening to the outdoors.
- Do **not** alter the water heater for a positive grounding system.
- Do **not** high-potential test (HI-POT) the water heater unless the DSI control board has been disconnected (DC HI-POT).

- Do **not** use a battery charger to supply power to the water heater at any time or when testing.

**NOTICE:** Do **not** modify the water heater in any way.

**NOTICE:** Do **not** lift, push, or misalign the main burner tube. Damage to the burner and the water heater can occur.

- i** Install in recreation vehicles only. RVs are recreation vehicles designed for temporary living quarters for recreation, camping, or travel using their own power or towed by another vehicle.



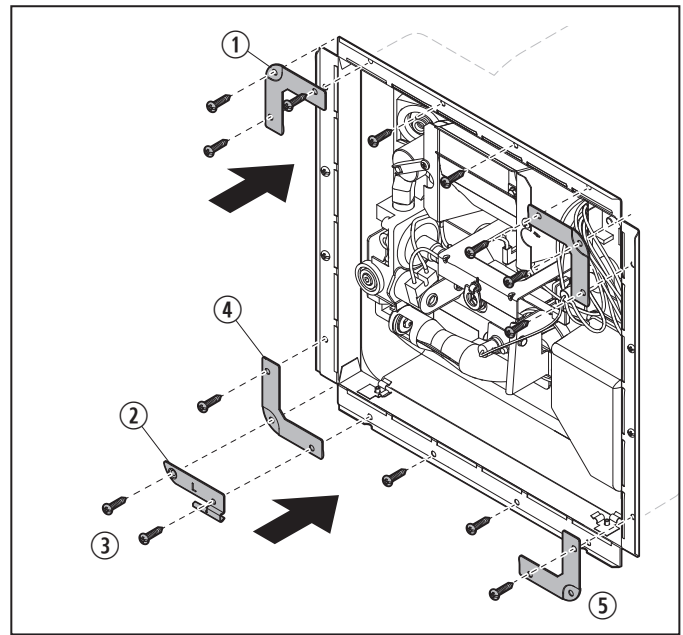
## 12 Caulking the Unit

- ① Opening
- ② Flange Slots

1. Caulk thoroughly around the opening and the flange slots.

- i** Butyl tape 1-1/4 in. x 1/8 in. (32 mm x 3 mm) may be substituted for caulking material.

2. Push the unit against the caulking in the cutout.



## 13 Securing the Brackets to the Water Heater Flange

- ① Top Corner Brackets
- ② Left Hinge Bracket
- ③ #8 3/4 in. Round Head Screws (qty. 18)
- ④ Bottom Left Corner Bracket
- ⑤ Bottom Right Corner Bracket

3. Secure the two top corner brackets to the water heater flange using six #8 3/4 in. round head screws or equivalent.

- i** The screws are not provided with the unit.

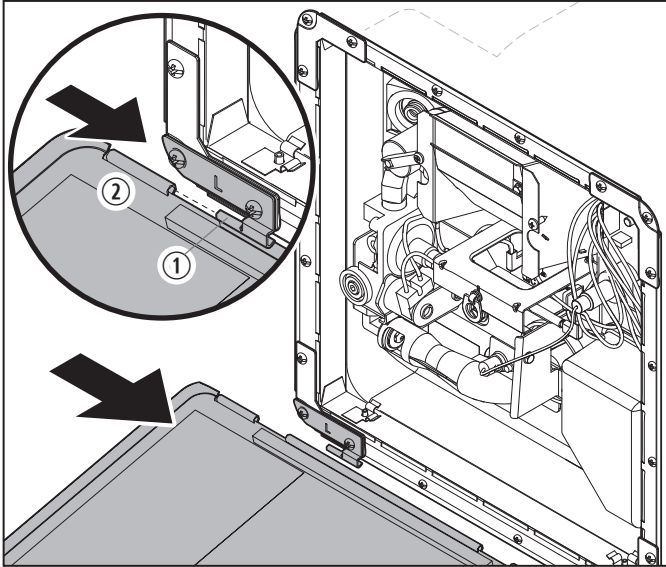
4. Place the left hinge bracket over the bottom left corner bracket and secure them to the housing using three #8 3/4 in. round head screws or equivalent.

5. For the bottom right corner bracket, attach using only one #8 3/4 in. round head screw or equivalent in the top hole for now.

6. Secure the housing to the RV using eight #8 3/4 in. round head screws or equivalent in the holes around the flange.

7. Visually inspect all gaskets to ensure that they adhere to the pan and create an air tight seal.

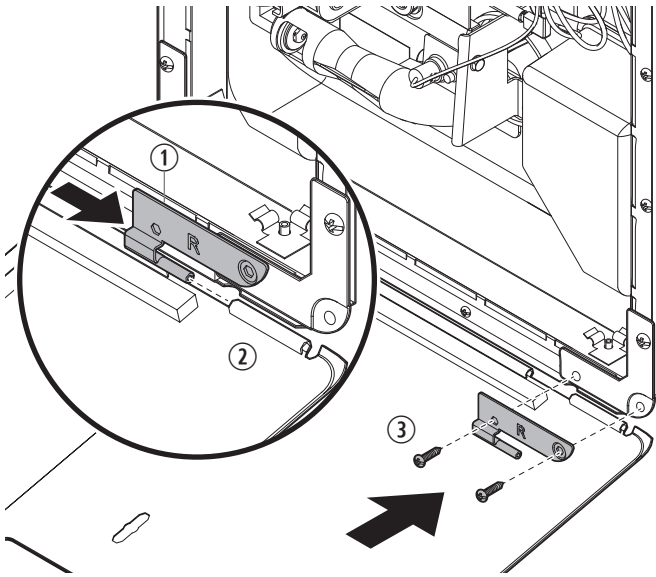
## 4.8 Installing The Access Door



**14** Sliding the Access Door onto the Left Hinge Bracket

- ① Left Hinge Bracket      ② Access Door

- Slide the access door onto the left hinge bracket.



**15** Attaching the Right Hinge Bracket

- ① Right Hinge Bracket      ③ #8 3/4 in. Round Head  
② Access Door                      Screws (qty. 2)

- Slide the right hinge bracket into the access door, and place against the right corner bracket. Secure the right hinge bracket using two #8 3/4 in. screws.
- Seal both corners with caulk.

## 4.9 Performing Leak Testing

### **⚠ WARNING: FIRE AND/OR EXPLOSION HAZARD.**

Do **not** use matches, candles, or other sources of control when checking for gas leaks. Failure to obey this warning could result in death or serious injury.

- i** Isolate the Water Heater from the gas supply piping system before performing any pressure test equal to or greater than 0.5 PSI (34 mbar).

- Turn on the gas and check the Water Heater and all of the connections for gas leaks using leak detection solution.
- Fill the water heater tank with water.
- Check the tank and all water hose connections for leaks.

## 5 Operation

### **⚠ WARNING: BURN HAZARD, FIRE, EXPLOSION, AND/OR CARBON MONOXIDE HAZARD.**

Keep the water heater area clear of combustible cleaning materials, gasoline, and other flammable vapors and liquids. Failure to obey this warning could result in death or serious injury.

### **⚠ WARNING: FIRE AND/OR EXPLOSION HAZARD. Failure to obey this warning could result in death or serious injury:**

- Do **not** store or use gasoline or other flammable vapors and liquids in the vicinity of this or any other appliance.
- Should overheating occur, or the gas supply fail to shut off, turn the operating switch to the OFF position and remove the red wire from the left hand terminal of the E.C.O. switch or turn the gas off at the L.P. tank.
- Use with L.P. gas only.
- Shut off gas appliances and pilot lights when refueling.
- Turn gas off at the L.P. tank when the vehicle is in motion. This disables all gas appliances and pilot lights.

- Gas appliances must never be operated while the vehicle is in motion. Unpredictable wind currents may be created which could cause flame reversal in the burner tub, which could result in fire damage. The thermal cut off fuse could also be unnecessarily activated resulting in a complete shutdown of the water heater requiring replacement of the thermal cut off.

**⚠ CAUTION: FIRE HAZARD.**

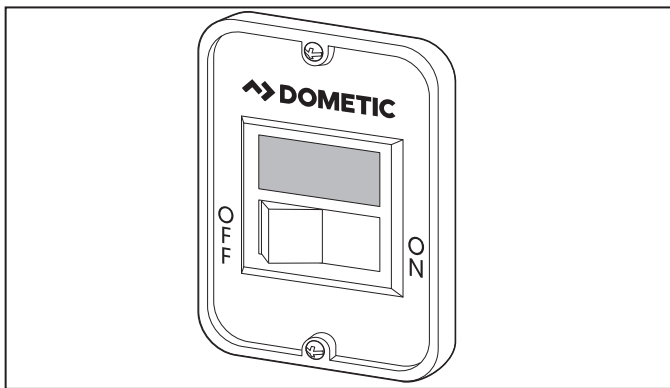
Do **not** smoke or have any flame near an open faucet. Failure to obey this caution could result in minor or moderate injury.

**⚠ CAUTION: EXPLOSION HAZARD.**

If water heater has not been used for more than two weeks, hydrogen gas may form in the water line. Under these conditions, to reduce the risk of injury, open the hot water faucet for several minutes at the kitchen sink before you use any electrical appliance connected to hot water system. If hydrogen gas is present, you will probably hear sounds like air escaping through the pipe as water begins to flow. Failure to obey this warning could result in death or serious injury.

**NOTICE:** Do not operate without water in tank, product failure can occur.

## 5.1 Operating the Electronic Control



**16** Control Switch in the ON Position

Place the control switch in the ON position.

- i** If control switch light stays on longer than 15 seconds place the control switch in the OFF position, wait 5 minutes, and repeat Step 1.

### 5.1.1 Gas Function

**⚠ WARNING: BURN HAZARD, FIRE, EXPLOSION, AND/OR CARBON MONOXIDE HAZARD.**

Keep the water heater area clear of combustible cleaning materials, gasoline, and other flammable vapors and liquids. Failure to obey this warning could result in death or serious injury.

When the gas heating element switch is turned to the ON position, the Water Heater will make three attempts to light. If for any reason there is no ignition, the Water Heater will lockout and the red lockout lamp will illuminate. If the thermostat fails, the E.C.O. will also lockout the Water Heater and a reset will be required. Determine the reason for no control, correct it, and reset the gas control sequence by turning the switch to the OFF position then to the ON position.

### 5.1.2 Electric Heating Element

When the electric element switch is turned to the ON position, the relay will close and pass 110 VAC to the element. If the thermostat fails, the E.C.O. will open and lockout the system. To correct, check the thermostat to assure good contact with the tank. Reset the control by turning the electric switch to the OFF position then to the ON position.

### 5.1.3 Gas/Electric Function

The unit can be run in both gas and electronic modes simultaneously for a quick recovery.

- i** If the gas fails to ignite, the gas mode will lockout, but the lockout lamp will not illuminate since the electric mode is still operational.

Should you notice slow recovery, indicating the gas is not working, turn the electronic control switch to the OFF position. The indicator lamp will illuminate signaling a lockout has occurred on the gas side.

Correct the problem and turn the switches to the ON position.

Refer to "Maintenance And Care" on page 15.

## 5.2 Clearing a Water Heater Operation Failure

If the Water Heater fails to operate due to high-water temperature, a lockout condition will occur. Investigate the cause of overheating and correct the issue before resetting the Water Heater.

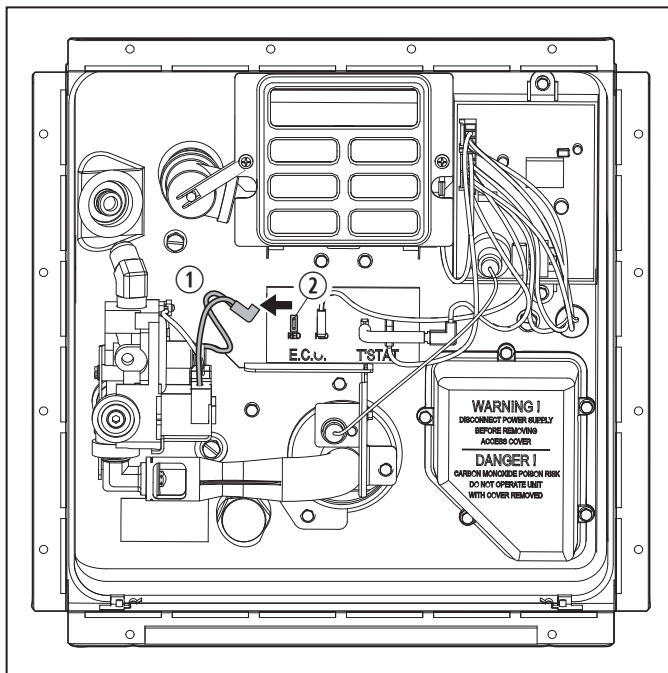
Investigate the cause of the overheating then perform the following to reset the Water Heater:

1. Allow water to cool.
2. Place the control switch in the OFF position and wait 30 seconds.
3. Turn the control switch to the ON position.

If the lockout condition persists:

1. Read the Maintenance and Care Instructions and the Electronic Control Maintenance in this manual.
2. Contact a Dometic Service Center.

## 5.3 Shutting Down the Water Heater



**17** Removing the Red Wire from the E.C.O. Switch

- ① Red Wire
- ② E.C.O. Switch Left Terminal

**i** Perform these steps before performing any service on the Water Heater.

1. Place the control switch in the OFF position.
2. Remove the red wire from left hand terminal of the E.C.O. switch (E.C.O. to valve).

## 6 Maintenance And Care

### **⚠ WARNING: CARBON MONOXIDE POISONING HAZARD.**

Gas flames consume oxygen, which must be replaced to assure proper combustion. Provide fresh air during testing, service, and maintenance of this appliance. Failure to obey this warning can result in death or serious injury.

### **⚠ WARNING: FIRE OR EXPLOSION HAZARD. Failure to obey these warnings could result in death or serious injury:**

- When performing any maintenance or care, shut off the gas supply at the L.P. container before disconnecting a gas line.
- Keep the control compartment clean and free of gasoline, combustible material and any flammable liquids and vapors.
- i** During service of the controls, label all wires before disconnecting any wires.
- i** Verify proper operation after servicing.

Have the gas pressure tested periodically. The pressure should be set at 11 in. (27.94 cm) of water column with three appliances running.

Drain the Water Heater at regular intervals (at least one time during the year).

Drain the Water Heater before storing the RV for the winter or when the possibility of freezing exists.

Keep the vent and combustion air grill clear of any obstructions.

Periodically check the main burner flame.

## 6.1 Servicing the DSI Control Board

The Water Heater comes factory-equipped with a fuse on the DSI control board to protect from wiring shorts.

If the fuse is blown, the Water Heater will not operate.

Before replacing the fuse, check for a short external to the DSI control board.

Once the short is corrected, replace the 2 amp fuse with a mini ATO style fuse.

**i** Do not install a fuse larger than 3 amps.

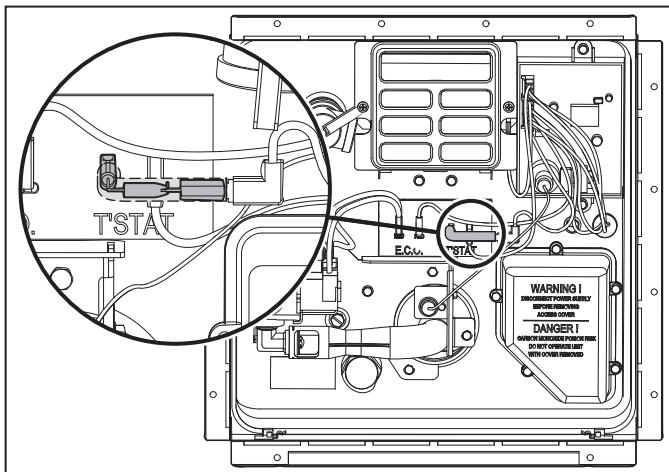
If the fuse is good and the unit is inoperative, check for excessively high voltage to the unit (more than 14 volts).

Check for low voltage, below 10 VDC, on the thermostat line.

Inspect for and remove any debris such as dust, insect nests, or such from the compartment burner and flue assembly. If nests are noticed but cannot be easily removed, contact a qualified service center.

If the previous steps did not solve the problem, check the thermal cut-off

The thermal cut-off is a device installed in the power supply line.



**18** Thermal Cut-off

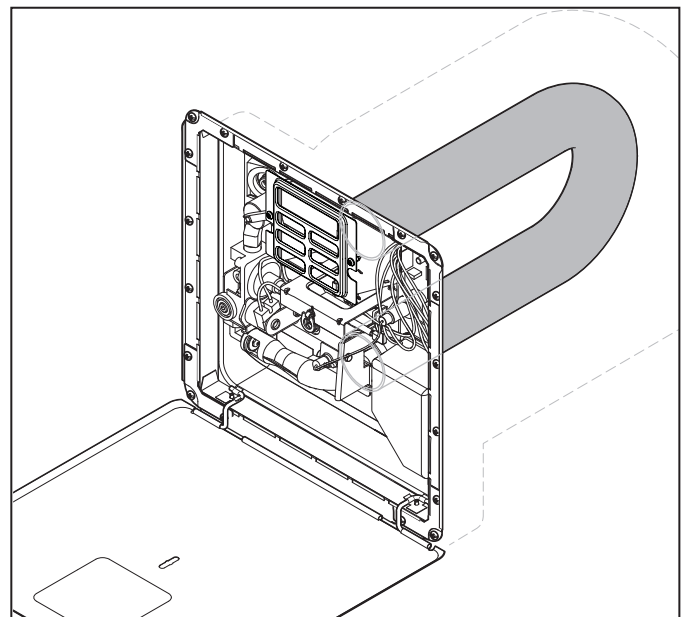
This device will shut off electrical power and stop heater operation when activated. For example, if an obstruction within the flue tube should occur, as described in “Performing Preventative Maintenance” on page 16, the burner flame/heat may contact the cutoff, resulting in a melting of the fuse element incorporated in the thermal cut-off. In order to restore power and proper operation of the Water Heater, the obstruction must be removed and the thermal cut-off must be replaced.

## 6.2 Performing Preventative Maintenance

Spiders, mud wasps, and other insects can build nests in the burner tube. This will cause poor combustion, delayed control, or flame outside of the combustion tube and the burner assembly.

Listen for a change in burner sounds or look for changes in flame appearance from a hard blue flame to a soft lazy flame or one that is very yellow. These are indications of an obstruction in the burner tube or the burner assembly.

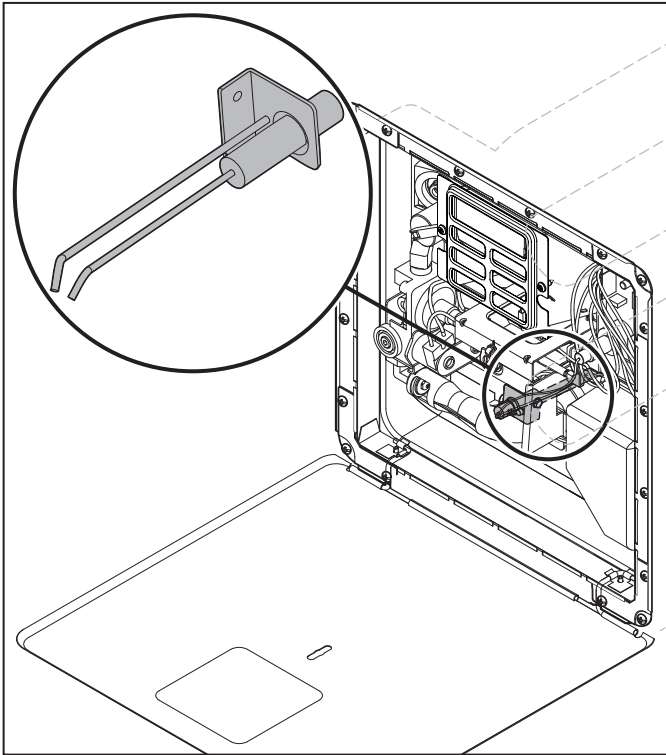
Inspect and clean the burner tube on a regular basis. Run a flexible wire brush down the burner tube to remove obstructions or clean the burner tube and the burner assembly.



**19** Burner Tube

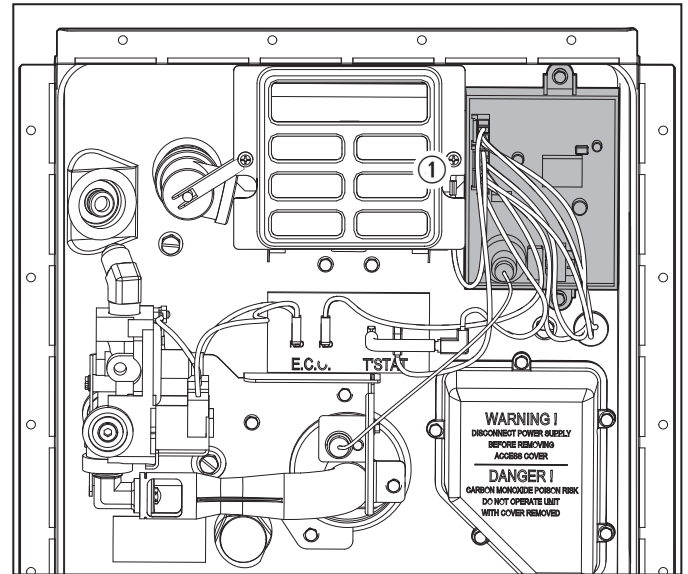


## 6.3 Electronic Ignition Module Cleaning



**20** Inspecting the Electrode

1. Inspect the main burner orifice.
2. Clean and adjust the main burner.
3. Ensure the main burner and the valve manifold are aligned with each other.
4. Inspect the electrode for cracked porcelain.
5. Ensure the electrode gap between the electrode and the ground is 0.125 in. (0.3175 cm).
6. Check for intermittent functionality of the DSI control board. If the DSI control board is experiencing intermittent functionality, remove the DSI control board and clean the terminal block with a pencil eraser.



**21** DSI control board

- ① DSI Control Board

## 6.4 Maintaining the Water Heater Tank

### **⚠ CAUTION: SCALDING HAZARD.**

Turn off the water heater and allow time for the water to cool before removing the drain plug to flush the water heater tank. Failure to obey this caution could result in minor or moderate injury.

### 6.4.1 Winterizing the Unit


- i** To ensure the best performance of the Water Heater and to extend the life of the tank, periodically drain and flush the water heater tank.
- i** Drain and flush the tank before long term storage or freezing weather.
  1. Turn off the main water supply (the pump, the water supply, or the water hook up source) then lift the handle on the P/T relief valve. This will allow water to flow out of the drain opening.
  2. Drain the water heater tank by removing the drain plug.

After draining the tank, because of the placement of the drain plug, approximately two quarts of water will remain in the tank. This water contains most of the harmful corrosive particles. To remove these harmful corrosive particles, flush the tank with either air or water. Whether using air or water pressure, it may be applied through the inlet or outlet on the rear of the tank or the P/T relief valve. (If using the P/T relief valve, the handle must be pulled straight out). The pressure will force out the remaining water and the corrosive particles.

If you use water pressure, pump fresh water into the tank with the assistance of the on-board pump or use external water for 90 seconds to allow the fresh water to agitate the stagnant water on the bottom of the tank and force deposits through the drain opening. Continue adding water and draining until the particles have been cleared from the water remaining in the tank.

If sporadic water flow is encountered, open the P/T relief valve to allow air into the tank. Using a small gauge wire or coat hanger, poke through the drain opening to eliminate any obstructions.

3. Replace the drain plug and close the P/T relief valve.

 The two quarts of water remaining in the tank after draining the tank will not cause damage to the tank should freezing occur.


### 6.4.2 Re-establishing the Thermal Expansion Air Pocket

#### CAUTION: SCALDING HAZARD.

Turn off the water heater before opening the P/T relief valve to establish air space. Storage water must be cool. Failure to obey this caution could result in minor or moderate injury.

1. Let the water cool or let the water run until it is cool.
2. Turn off the main water supply (the pump or water hook up source).
3. Open the hot water faucet closest to the Water Heater.
4. Pull the handle of the P/T relief valve straight out and allow water to flow until it stops.
5. Allow the P/T relief valve to snap shut.

6. Close the faucet.
7. Turn on the water supply.
8. Turn on the Water Heater and test.

 At least once a year manually operate the P/T relief valve.

9. When the P/T relief valve discharges again, repeat Steps 1–8.

To flush with the P/T relief valve:

1. Lift the P/T relief valve handle.
2. Apply air pressure through the P/T relief valve.


For a permanent solution, Dometic recommends one of the following procedures:

1. Install a pressure relief valve into the cold water inlet line to the Water Heater. Set to relieve at 100–125 PSI (689.47 kPa–861.84 kPa). Refer to “Replacement P/T Relief Valve Parts” on page 20.
2. Attach a drain line from the valve to outside of the RV. When attaching a drain line be sure the water flow is not restricted.
3. Alternatively you can install a diaphragm-type expansion tank in the cold water inlet line. The tank should be sized to allow for expansion of approximately 15 oz. of water and pre-charged to a pressure equal to the water supply pressure. These devices can be obtained from a plumbing contractor or service center.

### 6.4.3 Flushing the Tank

Use this procedure for general flushing of the water heater tank.

1. Turn off the main water supply (the pump or water hook up source).
2. Remove the drain plug to drain the water from the tank.

 If the water drains sporadically or trickles out of the drain hole, open the P/T relief valve then use a small gauge wire or coat hanger to remove any obstructions from the drain hole.

With the tank drained, approximately two quarts of water remain at the bottom of the tank. This water contains most of the corrosive particles. To remove these particles, use an “RV Water Heater Flushing Tool.” The wand of this flushing tool allows the water jet to clean at different angles inside of the tank. Cleaning at different angles inside of the tank will suspend and flush the corrosive particles out of the drain coupling.

3. Continue flushing the tank until the water being flushed from the drain coupling is draining as clear water.
4. Replace the drain plug.

#### 6.4.4 Flushing to Remove Unpleasant Odor

A rotten egg odor (hydrogen sulfide) may be produced when the electro-galvanic action of the cladding material releases hydrogen from the water. If sulfur is present in the water supply, the two will combine and produce an unpleasant smell.

1. Turn off the main water supply.
2. Remove the drain plug to drain the water heater tank.
3. Reinstall the drain plug.
4. Remove the P/T relief valve.
5. Mix a solution of four parts white vinegar to two parts water.
6. With a funnel, carefully pour the solution into the tank.
7. Cycle the Water Heater with the vinegar/water solution, letting it run under normal operation four to five times.
8. Remove the drain plug and thoroughly drain all of the water from the tank.
9. Flush the Water Heater to remove any sediment.

You may flush the tank with air pressure or fresh water. Pressure may be applied through either the inlet or outlet valves on the rear of the tank or through the P/T relief valve coupling located on the front of the unit. If flushing through the P/T relief valve, lift the handle and apply the air pressure.

## 6.5 Special Requirements for EXT Models

If you experience low flow from the hot water faucet or notice the water is not as hot coming from the Water Heater, the mixing valve may be faulty. Low flow or cold water from the EXT water heater models is a result of corrosion on the seats and/or debris blocking the inlet screen (if equipped) of the mixing valve. Call a technician for repair if this problem occurs.

## 6.6 Servicing the Mixing Valve

**⚠ WARNING: SCALDING HAZARD. Failure to obey these warnings could result in death or serious injury.**

- The mixing valve is not serviceable and must be replaced if it is found to be faulty.
- The mixing valve must only be replaced by a certified technician.
- Tampering with mixing valve will result in scalding injury.

**i** Tampering with the mixing valve will void the warranty.

**i** This valve is a safety component and must not be removed for any reason other than replacement.

The Water Heater is equipped with a mixing (moderating) valve which mixes cold water with higher temperature water to moderate outlet water to approximately 130°F (54°C). It is also equipped with a higher temperature thermostat, raising the storage water temperature.

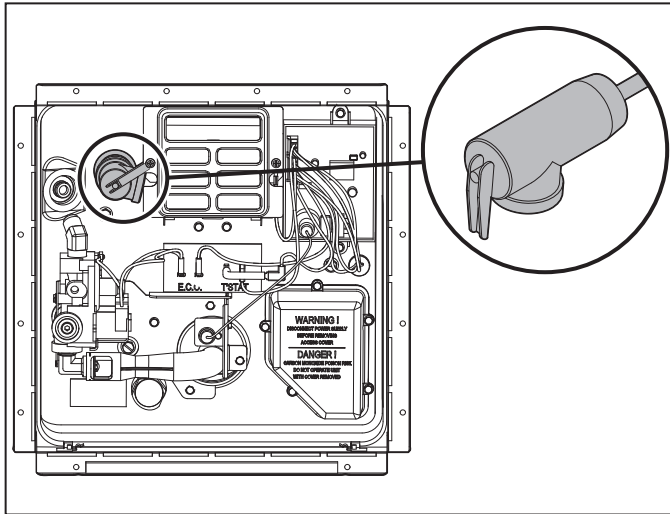
## 6.7 Servicing the P/T Relief Valve

**⚠ WARNING: EXPLOSION OR SCALDING HAZARD. Failure to obey the following warnings could result in death or serious injury.**

- Do **not** tamper with the P/T relief valve.
- Do **not** place a valve, plug or reducing coupling on the outer part of the P/T relief valve.

**i** The P/T relief valve is a safety component and must **not** be removed for any reason other than replacement.

- i** Tampering with the P/T relief valve will void the warranty.



## 22 P/T Relief Valve

The P/T relief valve is not serviceable. If the P/T relief valve is found to be faulty, replace the valve.

This Water Heater is equipped with a P/T relief valve that complies with the standard for Relief Valves and Automatic Gas Shutoff Devices for Hot Water Systems, ANSI 221.22.

If a discharge line is used, do not use a reducing coupling or other restriction smaller than the outlet of the P/T relief valve. Allow both the valve and the line to completely drain.

A P/T relief valve dripping while the Water Heater is running does not mean it is defective. During normal expansion of water, as it is heated in the closed water system of an RV, may cause the P/T relief valve to drip. The Dometic water heater tank is designed with an internal air gap at the top of the tank to reduce the possibility of dripping. Over time, the expanding water will absorb this air and it must be restored. Due to variations in water quality, the P/T relief valve may have a shorter life and may need replacement within the Water Heater warranty period. If corrosion is detected, it will not be covered under warranty.

## Replacement P/T Relief Valve Parts

- Do not install anything less than a combination P/T relief valve certified by a nationally recognized testing laboratory that maintains periodic inspection of product of listed equipment or materials, as meeting requirements for Relief Valves and Automatic Gas Shutoff Devices for Hot Water Supply Systems, ANSI 221.22. The Valve must have a maximum set pressure not to exceed 150 PSI (1034.21 kPa).
- Install the valve into the provided opening marked for this purpose on the Water Heater.
- Installation must conform with local codes or in the absence of local codes, American National Standard for Recreational Vehicles, ANSI A119.2/NFPA 501C.
- For an external electrical source, ground this unit in accordance with National Electrical Code ANSI/NFPA70.

## 6.8 Using After-Market Water Heating Element Devices

**⚠ WARNING: EXPLOSION AND OR BURN INJURY. Failure to obey the following warnings could result in death or serious injury:**

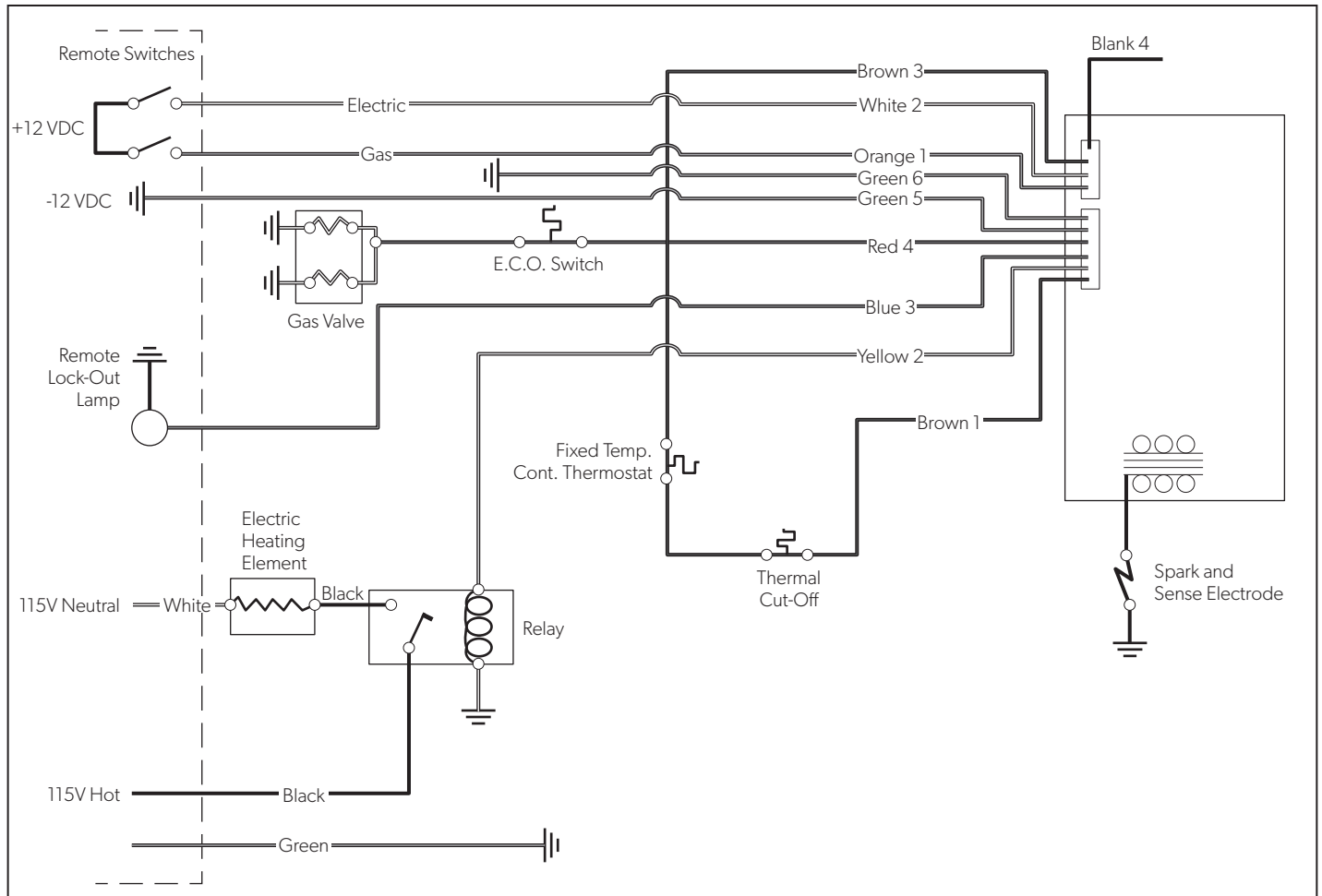
- Do **not** use after-market heating elements. After market heating elements can lack critical safety controls.
- Do **not** use bug screens, anode rods or other non-approved devices with this water heater.
- The use of after-market heating elements can lead to uncontrolled water tank heating and tank explosion.

**NOTICE:** The use of any after-market heating element devices may result in damage to components or the water heater.

Any alteration, such as the addition of an after-market heating element device, will void the warranty.

## 7 Wiring Diagrams

**i** Dotted lines are wired by the customer.



**23** Combination Gas/Electric

**i** Label all wires prior to disconnecting when servicing controls. Wiring errors can cause improper and dangerous operation. Verify proper operation after servicing.

## 8 Disposal



Place the packaging material in the appropriate recycling waste bins, whenever possible. Consult a local recycling center or specialist dealer for details about how to dispose of the product in accordance with all applicable national and local regulations.

## 9 Warranty Information

Refer to the sections below for information about warranty and warranty support in the US, Canada, and all other regions.

### 9.1 United States and Canada

LIMITED WARRANTY AVAILABLE AT [WWW.DOMETIC.COM/WARRANTY](http://WWW.DOMETIC.COM/WARRANTY).

IF YOU HAVE QUESTIONS, OR TO OBTAIN A COPY OF THE LIMITED WARRANTY FREE OF CHARGE, CONTACT:

DOMETIC CORPORATION  
CUSTOMER SUPPORT CENTER  
5155 VERDANT DRIVE  
ELKHART, INDIANA, USA 46514  
1-800-544-4881 OPT 1

### 9.2 All Other Regions

The statutory warranty period applies. If the product is defective, please contact the manufacturer's branch in your region (see the back of the instruction manual for the addresses) or your retailer.

For repair and guarantee processing, please include the following documents when you send in the device:

- A copy of the receipt with purchasing date
- A reason for the claim or description of the fault

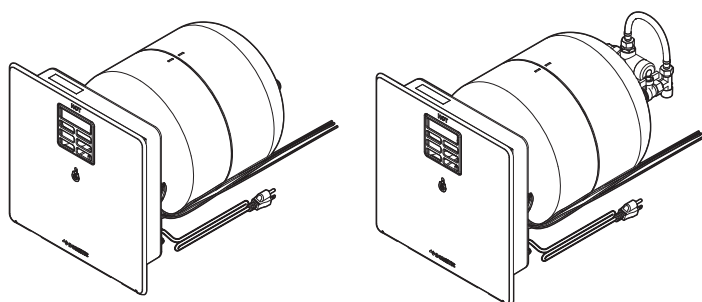






↗ DOMETIC

# CHAUFFAGE CHAUFFE-EAU



WH - 6GA, WH - 6GEA, WH - 9GEA

## FR Chauffe-eau à gaz P.L.

Manuel d'installation et d'utilisation

### AVERTISSEMENT

Ce produit peut vous exposer au plomb, connu dans l'État de Californie comme causant des cancers et des malformations congénitales ou d'autres troubles de la reproduction. Pour en savoir plus, aller à [www.P65warnings.ca.gov](http://www.P65warnings.ca.gov).

### AVERTISSEMENT : RISQUE DE BRÛLURE, DE DÉPART DE FEU, D'EXPLOSION ET/OU DANGER LIÉ AU MONOXYDE DE CARBONE.

Garder la zone autour du chauffe-eau à l'écart de produits de nettoyage combustibles, d'essence et autres vapeurs et liquides inflammables. Le non-respect de cet avertissement pourrait entraîner des blessures graves ou la mort.

**AVERTISSEMENT :** Suivre à la lettre les consignes énoncées dans ce manuel, sinon il y aurait risque de départ de feu ou d'explosion causant des dégâts matériels, des blessures personnelles, voire la mort.

– Ne pas stocker ni utiliser d'essence ou d'autres vapeurs ou liquides inflammables à proximité de cet appareil ou de tout autre appareil.

– QUE FAIRE EN CAS D'ODEUR DE GAZ

- Évacuer toutes les personnes du véhicule.
- Couper l'arrivée de gaz à la bonbonne ou à la source.
- Ne pas toucher d'interrupteur électrique ni utiliser de téléphone ou de radio dans le véhicule.
- Ne pas démarrer le moteur du véhicule ou le groupe électrogène.
- Contacter le fournisseur de gaz le plus proche ou un agent technique qualifié pour une réparation.
- Si un fournisseur de gaz ou un agent technique qualifié n'est pas joignable, contacter la caserne de pompiers la plus proche.
- Ne pas ouvrir l'arrivée de gaz tant que la ou les fuites de gaz n'ont pas été réparées.

– L'installation et la maintenance doivent être réalisées par un installateur qualifié, un centre de réparation ou le fournisseur de gaz.

**Liste des centres de service et des revendeurs**

Consultez : [www.dometic.com/support](http://www.dometic.com/support)

Lire attentivement ces instructions. Ces instructions

**DOIVENT** rester avec ce produit.

**Sommaire**

<b>1 Explication des symboles et consignes de sécurité</b>	<b>26</b>
1.1 Reconnaître les consignes de sécurité	26
1.2 Comprendre les mots-indicateurs	26
1.3 Directives supplémentaires	27
1.4 Messages de sécurité d'ordre général	27
<b>2 Indication</b>	<b>27</b>
<b>3 Informations générales</b>	<b>28</b>
3.1 Outils et matériel	28
3.2 Emplacements des composants	28
3.3 Identification du modèle	29
3.4 Caractéristiques techniques	29
<b>4 Installation</b>	<b>30</b>
4.1 Préparation du site d'installation	30
<b>4.2 Calage du chauffe-eau</b>	<b>31</b>
4.3 Installation du tuyau d'eau	32
4.4 Installation de la ligne de gaz	32
4.5 Installation de l'interrupteur	33
4.6 Câblage de l'alimentation 115 V c.a.	34
4.7 Installation de l'appareil	36
4.8 Installation de la trappe d'accès	38
4.9 Effectuer les tests d'étanchéité	38
<b>5 Mode d'emploi</b>	<b>38</b>
5.1 Utilisation de la commande électronique	39
5.2 Résoudre une défaillance dans le fonctionnement du chauffe-eau	40
5.3 Éteindre le chauffe-eau	41
<b>6 Entretien et nettoyage</b>	<b>41</b>
6.1 Maintenance de la carte contrôleur DSI	41
6.2 Effectuer l'entretien préventif	42

6.3 Nettoyage du module d'allumage électronique	42
6.4 Entretien du réservoir du chauffe-eau	43
6.5 Exigences particulières pour les modèles EXT	45
6.6 Réparation du mélangeur	45
6.7 Réparation de la soupape de sécurité P/T	46
6.8 Utilisation d'éléments de chauffage de l'eau qui ne sont pas d'origine	47
<b>7 Diagrammes de câblage</b>	<b>48</b>
<b>8 Élimination</b>	<b>49</b>
<b>9 Informations de garantie</b>	<b>49</b>
9.1 États-Unis et Canada	49
9.2 Toutes les autres régions	49

**1 Explication des symboles et consignes de sécurité**

Ce manuel contient des consignes de sécurité et des instructions pour aider l'utilisateur à éliminer ou réduire le risque d'accidents et de blessures.

**1.1 Reconnaître les consignes de sécurité****⚠ C'est le symbole d'alerte à la sécurité.**

Il signale des risques de blessures physiques.

Obéir à tous les messages de sécurité qui suivent ce symbole pour éviter les risques de blessures ou de mort.

**1.2 Comprendre les mots-indicateurs**

Un mot-indicateur identifie les messages de sécurité et les messages liés aux dégâts matériels, et signale aussi le degré ou niveau de gravité du danger.

**⚠ DANGER**

Indique une situation dangereuse qui, si elle n'est **pas** évitée, causera la mort ou des blessures graves.

**⚠️ AVERTISSEMENT**

Indique une situation dangereuse qui, si elle n'est **pas** évitée, peut causer la mort ou des blessures graves.

**⚠️ ATTENTION**

Indique une situation dangereuse qui, si elle n'est **pas** évitée, peut causer des blessures légères ou modérées.

**AVIS :** Utilisé pour signaler des pratiques **non** liées à une blessure physique.

**i** Fournit des renseignements additionnels **sans rapport** avec des blessures physiques.

**1.3 Directives supplémentaires**

Pour réduire le risque d'accidents et de blessures, observer les directives suivantes avant de continuer à installer ou utiliser cet appareil :

- Lire et suivre toutes les consignes de sécurité et les instructions.
- Lire et comprendre ces instructions avant l'installation, l'utilisation ou l'entretien de ce produit.
- L'installation et la maintenance doivent être réalisées par un technicien qualifié, un centre de réparation, le fabricant d'équipement d'origine ou le fournisseur de gaz.
- L'installation doit se conformer à tous les codes locaux ou nationaux applicables, y compris la toute dernière édition des normes suivantes :

**États-Unis**

- ANSI/NFPA70, Code national de l'électricité (CNE)
- ANSI/NFPA 1192, Code des véhicules récréatifs
- ANSI Z223.1 Code national du gaz
- Norme fédérale de sécurité et de construction de maisons mobiles, titre 24 CFR, partie 3280 ou lorsque cette norme n'est pas applicable, utiliser la norme d'installation de maisons préfabriquées (Sites de maisons préfabriquées, collectivités et installation), ANSI A255.1
- ANSI Z21.10.1, Chauffe-eau à gaz
- A119.5, Roulottes de parc

**Canada**

- CSA C22.1, Parties I et II, Code canadien de l'électricité
- CSA Z240 RV Series, véhicules récréatifs
- CAN/CGA B149 Codes d'installation
- CAN/CSA-2240 MH Series, Maisons mobiles
- CSA 4.1 (dernière édition)

**1.4 Messages de sécurité d'ordre général**

**⚠️ AVERTISSEMENT : RISQUE DE DÉPART DE FEU ET/OU D'EXPLOSION. Le non-respect de ces avertissements pourrait entraîner de graves blessures, voire la mort :**

- Suivre toutes les consignes de ce manuel à la lettre.
- Ne pas stocker ni utiliser d'essence ou d'autres vapeurs ou liquides inflammables à proximité de cet appareil ou de tout autre.

**2 Indication**

Ce chauffe-eau a été conçu et prévu pour une utilisation à l'intérieur du véhicule récréatif (ci-après appelé « VR ») pour lequel il est fourni. Ce produit est conçu pour chauffer de l'eau et non pas pour être utilisé comme chauffage d'appoint hydronique. Suivre ces instructions pour garantir l'installation, l'utilisation et l'entretien corrects du chauffe-eau. Dometic Corporation se réserve le droit de modifier l'apparence et les caractéristiques techniques de l'appareil sans préavis.

Dometic Corporation n'endosse aucune responsabilité en cas de dommages dans les cas suivants :

- Assemblage ou branchements incorrects
- Endommagement du produit résultant des influences mécaniques et d'une tension excessive
- Altération du produit sans la permission expresse du fabricant
- Utilisation à d'autres fins que celles décrites dans ce manuel

### 3 Informations générales

**AVIS :** Cette section comporte des informations de référence concernant les outils et matériel d'installation recommandés, les composants de l'appareil et les éléments d'identification du modèle qui sont associés aux différents modèles de chauffe-eau.

**i** Les images utilisées dans ce document sont uniquement fournies à titre de référence. Les composants et leur emplacement peuvent varier selon le modèle. Les mesures peuvent varier de  $\pm 0,38$  po (10 mm).

#### 3.1 Outils et matériel

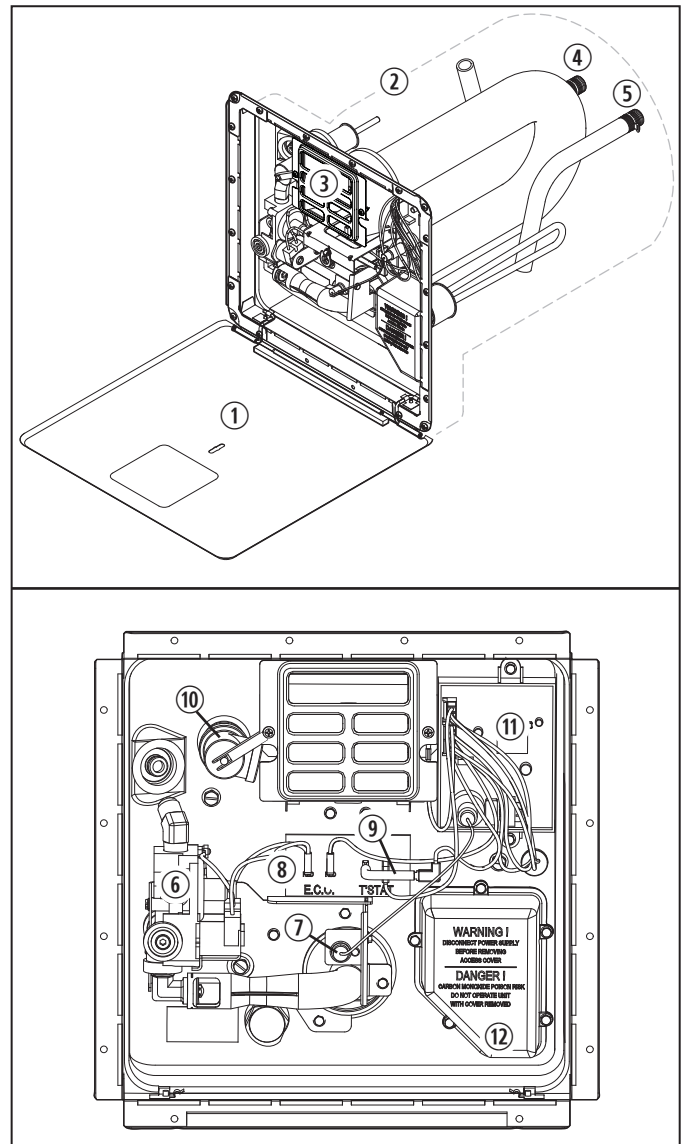
La Dometic Corporation recommande l'utilisation des outils suivants lors de la maintenance des chauffe-eau.

##### Outils et matériel recommandés

Mastic ou ruban de butyle 1-1/3 po x 1/8 po (3,38 cm x 0,32 cm)	Vis à tête ronde #8 de 3/4 po (22,22 cm)
Mastic	Planche 2x2
Batterie 12 V c.c.	Solution de détection de fuite

#### 3.2 Emplacements des composants

« Emplacements des composants » à la page 28 illustre les emplacements des composants du chauffe-eau.

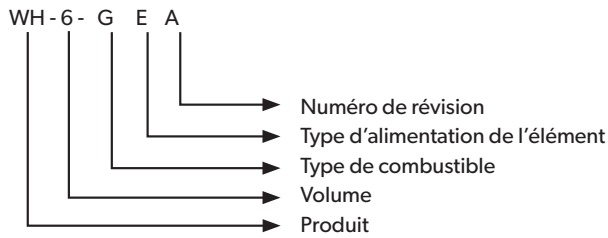


##### 1 Emplacements des composants

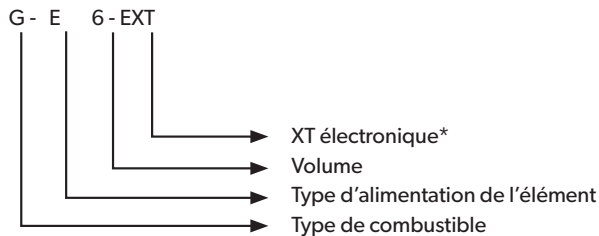
- |                            |  |
|----------------------------|--|
| ① Trappe d'accès           | ⑦ Électrode  |
| ② Réservoir du chauffe-eau | ⑧ E.C.O./Thermostat  |
| ③ Système d'évacuation     | ⑨ Système de coupure thermique   |
| ④ Sortie d'eau chaude      | ⑩ Soupape de sécurité P/T  |
| ⑤ Arrivée d'eau froide     | ⑪ Carte contrôleur DSI   |
| ⑥ Robinet de gaz           | ⑫ Boîte de dérivation électrique/Couvercle d'accès à l'élément (ce couvercle doit être bien fermé) |

### 3.3 Identification du modèle

Cette section explique en détail les numéros d'identification des modèles.



<b>Produit</b>	WH = Water Heater (Chauffe-eau)
<b>Volume</b>	6 = 6 gallons
<b>Type de combustible</b>	G = Gaz (Propane)
<b>Type d'alimentation de l'élément</b>	E = Électrique
<b>Révision</b>	A



<b>Type de combustible</b>	G = Gaz (Propane)
<b>Type d'alimentation de l'élément</b>	E = Électrique
<b>Volume</b>	6 = 6 gallons
<b>XT électronique</b>	EXT = XT électronique fournie

\*EXT se rapporte à la technologie électronique exothermique (XT)

Modèles disponibles	
WH - 6GA	= 6 gallons à gaz seulement
WH - 6GEA	= 6 gallons à gaz et électrique
*WH - 9GEA	= 9 gallons (capacité utile)

\* La capacité réelle des chauffe-eau est de 6 gallons respectivement. La capacité utile, calculée sur la base des gallons d'eau à 130 °F (54 °C), est de 9 gallons.

**i** Quel que soit votre numéro de révision, ces instructions s'appliquent en général à votre unité. Pour toute question, contactez votre revendeur, un centre de réparation Dometic ou le service après-vente Dometic.

### 3.4 Caractéristiques techniques

Le Tableau des caractéristiques techniques du chauffe-eau de base indique les dimensions et les caractéristiques de poids des modèles de chauffe-eau de base à 6 gallons.

#### Tableau des caractéristiques techniques du chauffe-eau de base

Largeur	Hauteur	Poids à l'envoi
12,75 po (32,38 cm)	12,75 po (32,38 cm)	25 lb (11,33 kg)

Le Tableau des caractéristiques techniques du chauffe-eau EXT indique les dimensions et les caractéristiques de poids des modèles de chauffe-eau EXT à 6 gallons.

#### Tableau des caractéristiques techniques du chauffe-eau EXT

Largeur	Hauteur	Poids à l'envoi
12,75 po (32,38 cm)	12,5 po (31,75 cm)	25 lb (11,33 kg)

Le Tableau des caractéristiques techniques concernant la pression et la tension indique les tensions affichées aux pressions du gaz minimum et maximum.

#### Tableau des caractéristiques techniques concernant la pression et la tension

Pression du gaz	Tension
10 po C.E. minimum	10 V c.c. minimum
13 po C.E. maximum	14 V c.c. maximum

Catégorie 1 appareil à évacuation directe

La pression maximum d'arrivée du gaz ne doit pas dépasser 13 po C.E. Pour les réglages d'entrée, la pression minimum du gaz ne doit pas être inférieure à 10 po C.E.

## 4 Installation

### **⚠ DANGER : RISQUE D'INCENDIE ET/OU DANGER LIÉ AU MONOXYDE DE CARBONE.**

Ce produit peut générer du monoxyde de carbone, qui est inodore et peut mettre la vie en danger. Évitez les réglages, les modifications et l'entretien ou la maintenance incorrects. Suivez les instructions pour la bonne installation de cet appareil. Le non-respect de cet avis de danger peut entraîner une erreur d'installation causant un empoisonnement au monoxyde de carbone qui pourrait entraîner la mort ou des blessures graves.

### **⚠ AVERTISSEMENT : RISQUE DE DÉPART DE FEU ET/OU DE DÉCHARGE ÉLECTRIQUE.**

**Le non-respect de ces avertissements pourrait entraîner de graves blessures, voire la mort :**

- S'assurer qu'il n'y a pas d'obstacles (fils électriques, tuyaux, etc.) dans le toit ou les parois du VR aux emplacements d'installation.
- Couper le gaz, couper l'alimentation 120 V c.c. du VR et débrancher la borne positive (+) 12 V c.c. de la batterie avant de percer ou de couper dans le VR.

### **⚠ AVERTISSEMENT : INSTRUCTIONS DE MISE À LA TERRE ÉLECTRIQUE.**

Cet appareil est équipé d'une prise de terre à trois lames pour protéger contre les dangers d'un choc électrique et doit être branché directement sur une prise correctement mise à la terre (trois orifices). Ne pas couper ou enlever la lame de terre de cette fiche. Le non-respect de cet avertissement pourrait entraîner de graves blessures, voire la mort.

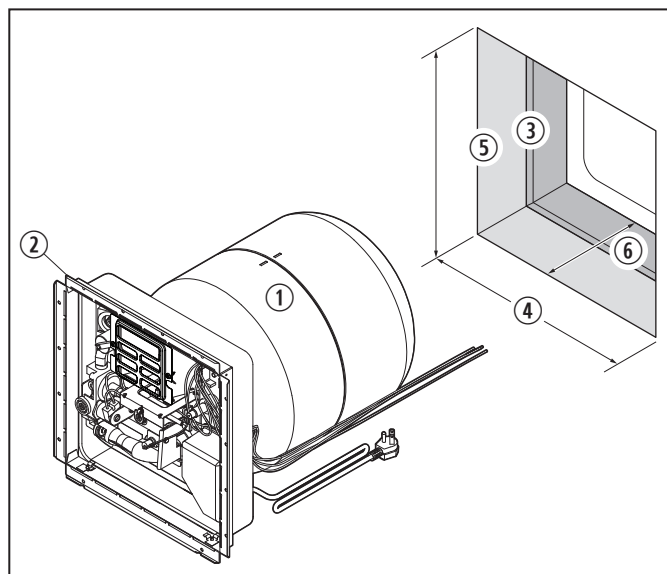
- i** Il s'agit d'une méthode d'installation courante pour les chauffe-eau. Il existe d'autres méthodes homologuées telles que les installations encastrées ou dans la soute à bagages. Consulter votre inspecteur sur le terrain, votre responsable de compte ou le service après-vente Dometic pour toute question supplémentaire.

Cette section décrit l'installation du chauffe-eau et de l'interrupteur. Veuillez prendre en compte les directives suivantes avant de commencer l'installation :

- Cet appareil doit être installé par un installateur professionnel qualifié.

- Le réservoir du chauffe-eau doit être positionné au même niveau que le bas de la découpe de la paroi latérale. Laisser suffisamment d'espace à l'arrière de l'unité pour permettre les réparations des raccordements d'eau.
- Si l'appareil est installé dans un lieu où le branchement et les fuites du réservoir risquent d'endommager les zones environnantes, installer sous le chauffe-eau un système d'écoulement (permettant l'évacuation vers l'extérieur du véhicule).
- L'installation du chauffe-eau sur de la moquette doit se faire avec un panneau en métal ou en bois qui est au minimum 3 po (7,62 cm) plus large et plus profond que la taille totale du chauffe-eau.

### 4.1 Préparation du site d'installation



**2** Avant l'installation

1. Choisir l'emplacement du chauffe-eau dans le VR.
2. Monter les parois latérales et découper l'ouverture carrée. Voir les tableaux ci-dessous pour les dimensions de la découpe et les dégagements pour les modèles de chauffe-eau de base.

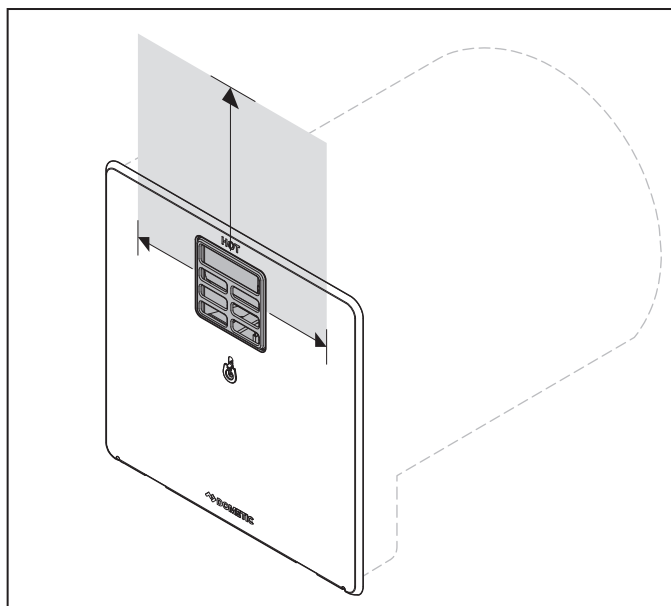
- |                             |                            |
|-----------------------------|----------------------------|
| ① Chauffe-eau               | ④ Largeur de la découpe    |
| ② Bride                     | ⑤ Hauteur de la découpe    |
| ③ Encadrement de la découpe | ⑥ Profondeur de la découpe |

Modèle	Largeur et profondeur de la découpe	Profondeur de la découpe
WH - 6GA WH - 6GEA	12-7/8 po ± 1/8 po (32,70 cm ± 3,0 mm)	19,5 po (49,53 cm)
WH - 9GEA		24 po (60,96 cm)

Le tableau suivant contient les distances minimales exigées par rapport à tout matériau de construction combustible.

Côtés	Arrière	Haut	Bas
0 po (0 cm)	0 po (0 cm)	0 po (0 cm)	0 po (0 cm)

Le tableau et la figure suivants indique les distances minimales exigées entre l'évent du chauffe-eau et toute projection ou pièce de plastique du côté du VR.

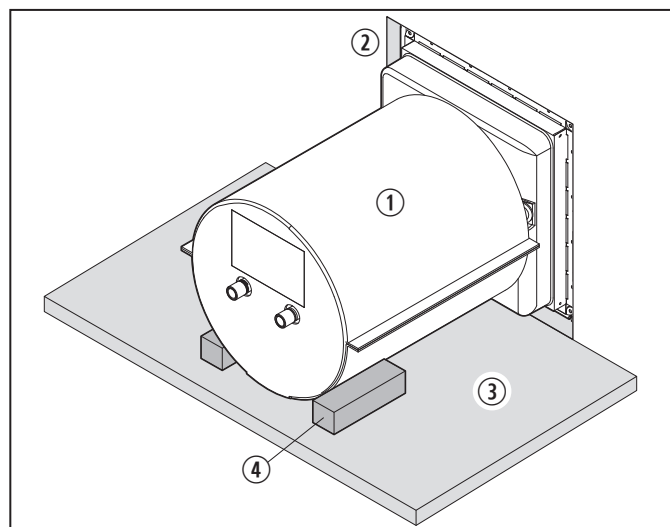


3 Distances minimales de l'évent

Côtés	Dessus
3 po (7,62 cm)	12 po (30,48 cm)

- Utiliser une planche de 2 x 2 ou équivalent pour encadrer la découpe.
- Plier toutes les brides à 90° le long de la rainure.
- Caler le chauffe-eau. Voir « Calage du chauffe-eau » à la page 31.

## 4.2 Calage du chauffe-eau

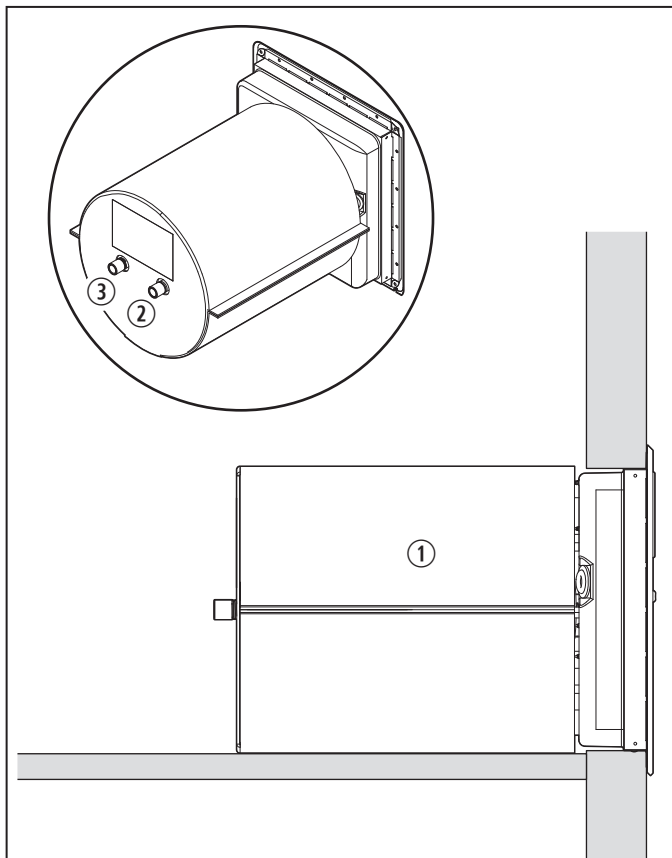


4 Calage du chauffe-eau

- ① Chauffe-eau
- ② Cadre de découpe
- ③ Sol
- ④ Bloc de bois

- Placer le chauffe-eau dans l'emplacement de la découpe.
- À l'arrière de la découpe, mesurer la distance entre le côté de la découpe et le côté du chauffe-eau.
- Retirer le chauffe-eau de l'emplacement de la découpe.
- Marquer la distance appropriée prise à l'étape 2 de chaque côté sur la longueur de l'arrière de la découpe.
- Placer un bloc de bois de 2 x 2 (50,8 x 50,8) d'au moins 6 po (15 cm) de longueur à chacun des endroits indiqués (4).
- Fixer les cales de bois au sol.

### 4.3 Installation du tuyau d'eau



#### 5 Raccords de tuyau

- ① Chauffe-eau                      ③ Arrivée d'eau froide  
② Sortie d'eau chaude

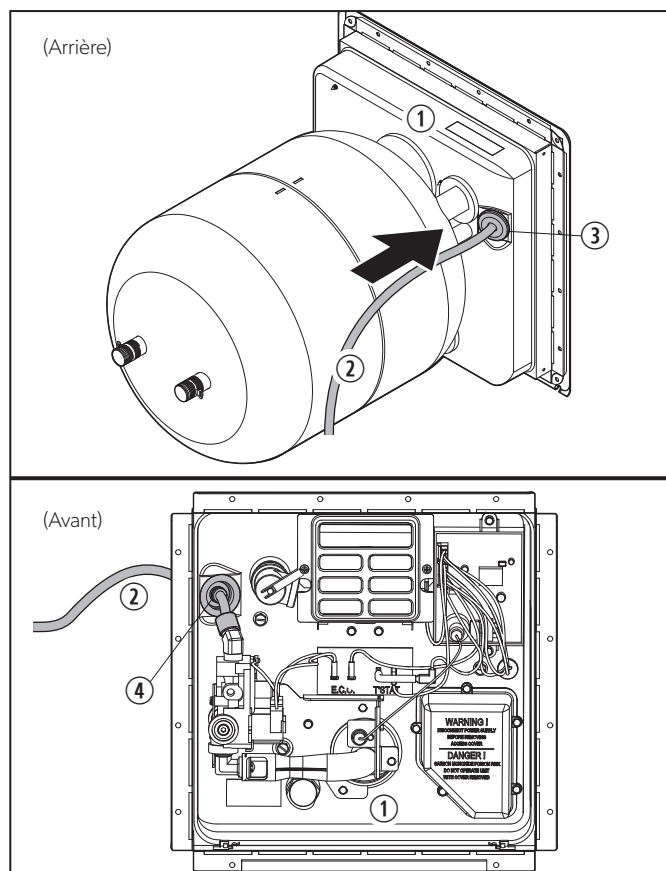
1. Positionner le chauffe-eau à l'emplacement choisi sur le plancher du VR.
2. Retirer la protection filetée rouge de la sortie d'eau chaude de 1/2 po (1,27 cm).
3. Appliquer du lubrifiant de tuyau sur le filet du tuyau de sortie d'eau chaude NPT (National Pipe Tapered) de 1/2 po (1,27 cm).
4. Raccorder le tuyau de sortie d'eau chaude NPT de 1/2 po (1,27 cm) au chauffe-eau avec un raccord adapté.

**AVIS :** Permettre une flexibilité suffisante des tuyaux d'eau et de gaz, de façon à pouvoir tirer l'unité vers l'avant par rapport au mur, à 1 po (2,54 cm) de la paroi intérieure de l'encastrement.

5. Retirer la protection filetée bleue de l'arrivée d'eau froide de 1/2 po (1,27 cm).

6. Appliquer du mastic sur le filet du tuyau d'arrivée d'eau froide NPT de 1/2 po (1,27 cm).
7. Raccorder le tuyau d'arrivée d'eau froide NPT de 1/2 po (1,27 cm) au chauffe-eau avec un raccord en plastique adapté.

### 4.4 Installation de la ligne de gaz



#### 6 Étanchéiser la ligne de gaz avec l'œillet

- ① Chauffe-eau                      ③ Œillet  
② Ligne de gaz                    ④ Ouverture du boîtier

1. Raccorder la ligne de gaz P.L. évasée de 3/8 po (0,95 cm) au chauffe-eau.
2. Faire glisser l'œillet sur la conduite de 3/8 po (0,95 cm).
3. Évaser la ligne de gaz si nécessaire.

**i** Si la ligne de gaz de 3/8 po (0,95 cm) est déjà évasée, couper l'œillet d'un côté. Placer l'œillet fendu sur la ligne de gaz et l'enfoncer dans l'ouverture du boîtier.



4. Tirer la ligne de gaz de 3/8 po (0,95 cm) et l'œillet par l'ouverture du boîtier du chauffe-eau.
5. Raccorder le raccord évasé et enfoncer l'œillet dans l'ouverture. Appliquer du mastic autour de l'œillet s'il a été coupé au cours de l'installation de la ligne de gaz.

## 4.5 Installation de l'interrupteur

Dometic recommande de brancher le chauffe-eau directement sur une batterie de 12 V c.c. ou en aval du filtre du convertisseur électrique c.a./c.c. Éviter les branchements en amont du convertisseur c.a./c.c., si possible. Utiliser un fil d'un calibre minimal de 18, homologué UL et CSA.

- i** Le câblage de commande de 12 V c.c. du chauffe-eau est un fil toronné de calibre 18 résistant à 105 °C (221 °F). Ce fil de calibre 18 devrait être suffisant pour le fil de commande de 12 V c.c. allant du chauffe-eau jusqu'au commutateur et à la source d'alimentation de 12 V c.c.; cependant, consulter tous les codes locaux et nationaux relatifs à votre installation spécifique pour vérifier.

### 4.5.1 Préparation du site d'installation de l'interrupteur

**⚠ AVERTISSEMENT : RISQUE DE DÉPART DE FEU ET/OU DE DÉCHARGE ÉLECTRIQUE. Le non-respect de ces avertissements pourrait entraîner de graves blessures, voire la mort.**

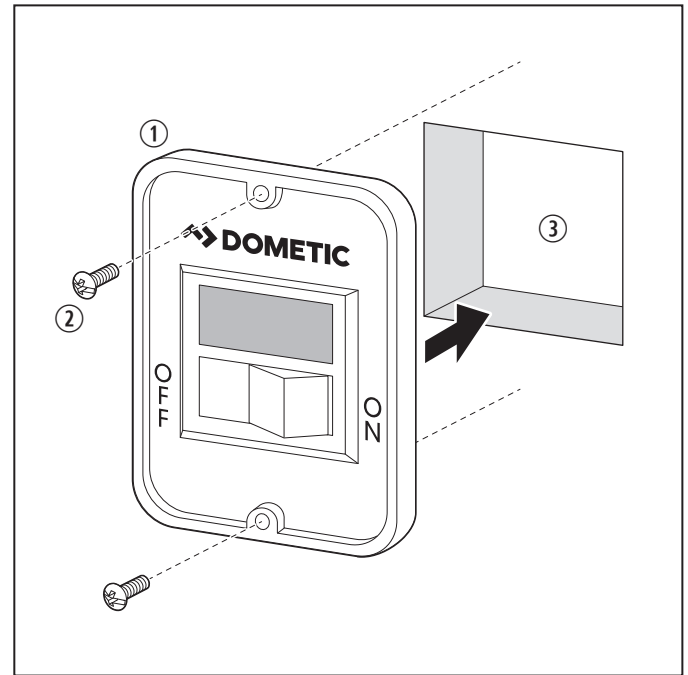
- S'assurer qu'il n'y a pas d'obstacles (fils électriques, tuyaux, etc.) dans le toit ou les parois du VR aux emplacements d'installation.
- Couper le gaz, couper l'alimentation 120 V c.c. du VR et débrancher la borne positive (+) 12 V c.c. de la batterie avant de percer ou de couper dans le VR.

- i** Un voyant allumé sur la plaque de l'interrupteur indique une défaillance (pas de chaleur).

Lors du choix de l'emplacement du ou des interrupteurs, s'assurer de choisir un site facilement accessible pour permettre son utilisation et son entretien.

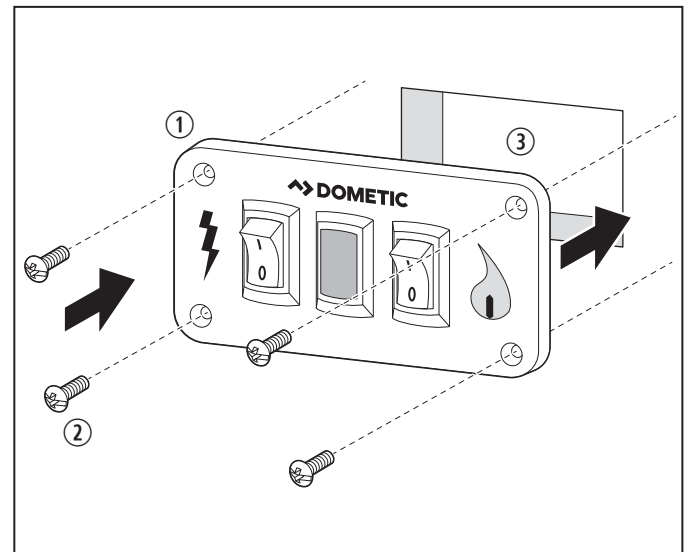
- i** Les modèles à fonction combinée avec un interrupteur simple auront deux interrupteurs séparés (un pour l'élément de chauffage à gaz et

l'autre pour la commande électrique) qui devront être installés dans un endroit facile d'accès.



**7** Installation de l'interrupteur simple

- ① Interrupteur simple      ③ Découpe murale  
② Vis de fixation au mur



**8** Installation de l'interrupteur double

- ① Interrupteur double      ③ Découpe murale  
② Vis de fixation au mur

1. Choisir l'emplacement du ou des interrupteurs.
2. Découper un trou de taille suffisant pour l'interrupteur de façon à laisser assez de place pour fixer l'interrupteur avec le matériel adapté.

### 4.5.2 Terminer l'installation de l'interrupteur

**i** Avant de terminer l'installation de l'interrupteur, voir « Câblage de l'alimentation 115 V c.a. » à la page 34.

1. Positionner la plaque murale en orientant bien les lettres et les symboles.
2. Utiliser quatre vis pour fixer l'interrupteur. Serrer les vis pour maintenir le ou les interrupteurs bien en place.
3. Mettre le ou les interrupteurs en position OFF (Arrêt).

**i** Pour les interrupteurs doubles, s'assurer que les deux interrupteurs sont en position OFF (Arrêt).

## 4.6 Câblage de l'alimentation 115 V c.a.

### **⚠ AVERTISSEMENT : RISQUE DE DÉPART DE FEU.**

Lorsqu'on utilise une connexion avec cordon et fiche pour alimenter le chauffe-eau, le cordon doit être homologué UL et convenir aux lieux humides et aux usages intenses et super intenses. Le cordon doit être souple, de type S, SO, ST, STO, SJ, SJT, SJTO, HS ou HSO, en conformité avec le Code électrique national, ANSI/NFPA 70. La longueur du cordon externe menant au chauffe-eau ne doit pas dépasser 6 pieds (182,88 cm) et ne doit pas être inférieure à 2 pieds (60,96 cm), lorsqu'elle est mesurée à partir de la fiche. Au minimum, le calibre du cordon d'alimentation électrique doit être de 14 AWG. La fiche doit posséder une capacité nominale de 15 ampères. Le non-respect de cet avertissement pourrait entraîner de graves blessures, voire la mort.

**AVIS :** Ne pas faire passer les fils électriques autour d'objets coupants ou dans des endroits où ils peuvent être écrasés.

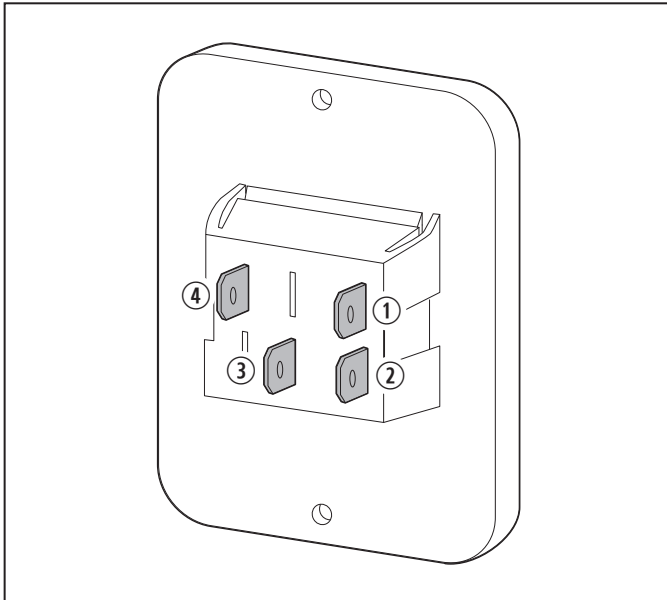
**AVIS :** Lorsque Romex® est utilisé avec une mise à la terre nue, faire attention de placer le fil de terre de manière à ce qu'il n'entre pas en contact avec les bornes de l'élément de chauffe. Cela peut endommager le fil de terre.

**i** Voir « Diagrammes de câblage » à la page 48 pour un schéma de câblage complet.

Veillez prendre en compte ce qui suit avant le câblage de l'interrupteur :

- La fiche à trois lames doit être branchée sur une prise dédiée à trois orifices, homologuée UL et dont la capacité nominale minimum est de 15 ampères.
- Tous les câblages doivent être conformes aux codes électriques applicables.
- Utiliser un conduit électrique métallique, un conduit métallique souple, un câble à blindage métallique ou un câble blindé non métallique avec conducteur de mise à la terre.
- Les fils doivent avoir une capacité supérieure ou égale à 1400 watts.
- La méthode de câblage doit être conforme aux sections applicables de l'article 551 du Code électrique national ANSI/NFPA 70.
- L'emplacement de la prise doit être conforme à tous les codes applicables et elle doit être située à l'écart de toute source d'eau.

### 4.6.1 Configuration d'un interrupteur simple

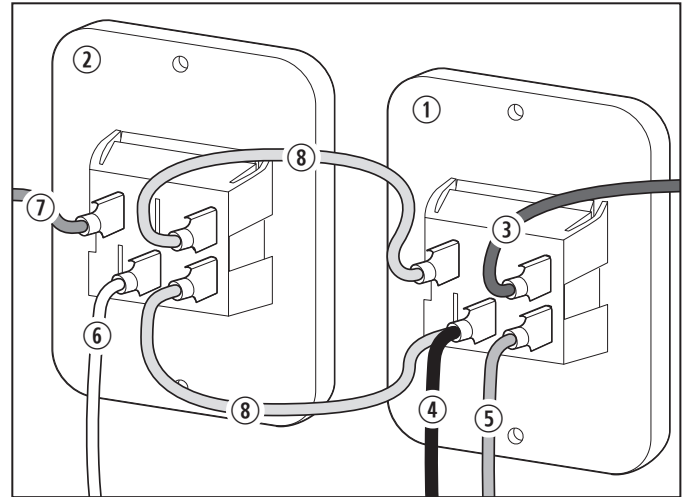


9 Câblage de l'interrupteur

- ① Voyant de verrouillage (Bleu)
- ② + 12 V c.c. (Noir)
- ③ Commande (Blanc/Orange)
- ④ Terre (Vert)

1. Brancher le fil bleu du voyant de verrouillage du chauffe-eau sur le connecteur à cosse plate à l'arrière de l'interrupteur.
2. Brancher le fil noir + 12 V c.c. sur le connecteur à cosse plate à l'arrière de l'interrupteur.
3. Brancher le fil blanc ou orange (selon l'alimentation) du chauffe-eau sur le connecteur à cosse plate à l'arrière de l'interrupteur.
4. Brancher le fil de terre vert du connecteur à cosse plate à l'arrière de l'interrupteur sur un emplacement de mise à la terre approprié.

### 4.6.2 Configuration d'un interrupteur simple à fonction combinée



10 Câblage d'un interrupteur simple à fonction combinée

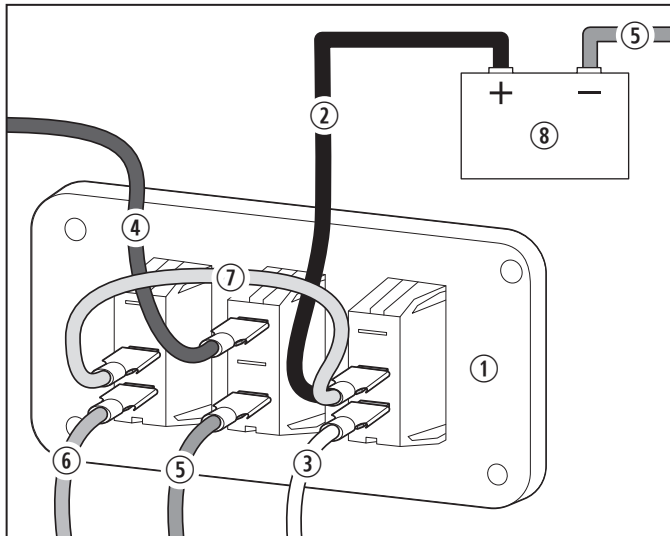
- ① Élément de chauffage
- ② Commande électronique
- ③ Voyant de verrouillage (Bleu)
- ④ + 12 V c.c. (Noir)
- ⑤ Gaz (Orange)
- ⑥ Électronique (Blanc)
- ⑦ Terre (Vert)
- ⑧ Fil de raccordement

**i** Il faut utiliser deux interrupteurs séparés pour les modèles à fonction combinée avec un interrupteur simple. Assigner et étiqueter un interrupteur pour l'élément de chauffage au gaz et un interrupteur pour la commande électronique.

1. Brancher le fil bleu du voyant de verrouillage du chauffe-eau sur le connecteur à cosse plate adéquat à l'arrière de l'interrupteur assigné à l'élément de chauffage.
2. Brancher le fil noir + 12 V c.c. sur le connecteur à cosse plate à l'arrière de l'interrupteur assigné à l'élément de chauffage à gaz.
3. Brancher le fil orange du chauffe-eau sur le connecteur à cosse plate à l'arrière de l'interrupteur assigné à l'élément de chauffage à gaz.
4. Brancher un fil de raccordement sur les connecteurs à cosse plate à l'arrière de chaque interrupteur.
5. Brancher un autre fil de raccordement sur les connecteurs à cosse plate à l'arrière de chaque interrupteur.

6. Brancher le fil blanc du chauffe-eau sur le connecteur à cosse plate à l'arrière de l'interrupteur assigné à la commande électronique.
7. Brancher le fil de terre vert du connecteur à cosse plate à l'arrière de l'interrupteur assigné à la commande électronique sur un emplacement de mise à la terre approprié.

### 4.6.3 Configuration d'un interrupteur double



11 Câblage de l'interrupteur double

- |                                 |                       |
|---------------------------------|-----------------------|
| ① Interrupteur                  | ⑤ Fil de terre (Vert) |
| ② + 12 V c.c. (Noir)            | ⑥ Gaz (Orange)        |
| ③ Électronique (Blanc)          | ⑦ Fil de raccordement |
| ④ Voyant de verrouillage (Bleu) | ⑧ Batterie            |

**i** L'utilisation prévue de l'interrupteur pour chaque option de commande est indiquée sur la face avant de l'interrupteur. L'éclair indique l'utilisation avec la commande électronique alors que la flamme indique l'utilisation avec l'élément de chauffage à gaz. Il est important de câbler les interrupteurs en conséquence.

1. Brancher le fil noir + 12 V c.c. de la batterie sur le connecteur à cosse plate à l'arrière de l'interrupteur de commande électronique.
2. Brancher le fil blanc du chauffe-eau sur le connecteur à cosse plate à l'arrière de l'interrupteur de commande électronique.

3. Brancher le fil bleu du voyant de verrouillage du chauffe-eau sur le connecteur à cosse plate dans le port vide de l'interrupteur.
4. Brancher le fil de terre vert du chauffe-eau sur la borne négative de la batterie.
5. Brancher le fil de terre du connecteur à cosse plate dans le port vide de l'interrupteur sur un emplacement de mise à la terre approprié.
6. Brancher le fil de raccordement sur les connecteurs à cosse plate entre l'interrupteur de commande électronique et l'interrupteur de l'élément de chauffage au gaz.
7. Brancher le fil orange du chauffe-eau sur le connecteur à cosse plate sur l'interrupteur de l'élément de chauffage au gaz.

## 4.7 Installation de l'appareil

**⚠ AVERTISSEMENT : RISQUE D'INTOXICATION AU MONOXYDE DE CARBONE, DE DÉPART DE FEU ET/OU D'EXPLOSION. Le non-respect de ces avertissements pourrait entraîner de graves blessures, voire la mort :**

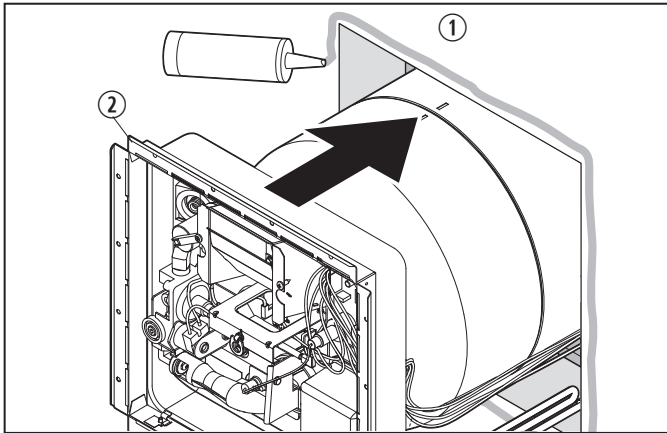
- S'assurer de la bonne ventilation et de l'étanchéité de l'appareil pour éviter l'accumulation de monoxyde de carbone à l'intérieur du VR.
- Tout l'air de combustion doit provenir de l'extérieur du VR. Tous les produits de la combustion doivent être évacués vers l'extérieur du VR.
- Ne pas ventiler le chauffe-eau avec un système de ventilation desservant un autre appareil.
- Ne **pas** évacuer l'air du chauffe-eau vers un espace extérieur couvert.
- Protéger les matériaux de construction des gaz de combustion lors de leur évacuation.
- Installer le chauffe-eau sur une paroi extérieure, avec une trappe d'accès donnant vers l'extérieur.
- Ne **pas** modifier le chauffe-eau pour une mise à la terre positive.
- Ne **pas** faire d'essai électrique haute tension sur le chauffe-eau sans avoir débranché la carte contrôleur DSI.

- Ne **pas** utiliser de chargeur de batterie pour alimenter le chauffe-eau à quelque moment que ce soit, même lors de tests.

**AVIS :** Ne **pas** modifier le chauffe-eau d'une quelconque manière.

**AVIS :** Ne **pas** soulever, pousser ou désaligner le tube du brûleur principal. Cela peut endommager le brûleur et le chauffe-eau.

**i** Installer dans les véhicules récréatifs uniquement. Les VR sont des véhicules récréatifs conçus comme résidences temporaires pour les vacances, le camping ou les voyages; ils fonctionnent de façon autonome ou sont parfois remorqués par un autre véhicule.



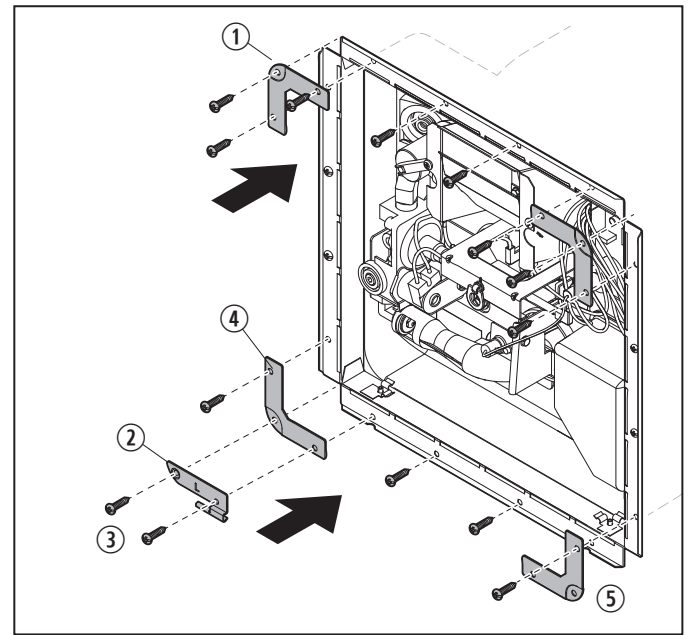
**12** Calfeutrage de l'appareil

- ① Ouverture                      ② Fentes de bride

1. Appliquer minutieusement le mastic sur le pourtour de l'ouverture et des fentes à bride.

**i** Il est possible de substituer un ruban de butyle de 1-1/4 po x 1/8 po (32 mm x 3 mm) au mastic.

2. Pousser l'appareil contre le mastic dans la découpe.



**13** Fixer les équerres de fixation et la bride

- |                                       |                                    |
|---------------------------------------|------------------------------------|
| ① Supports d'angle supérieurs         | ④ Support d'angle inférieur gauche |
| ② Charnière gauche                    | ⑤ Support d'angle inférieur droit  |
| ③ Vis à tête ronde #8 3/4 po (qté 18) |                                    |

3. Fixer les deux supports d'angle supérieurs sur le boîtier du chauffe-eau avec six vis à tête ronde #8 3/4 po ou un équivalent.

**i** Les vis ne sont pas fournies avec l'appareil.

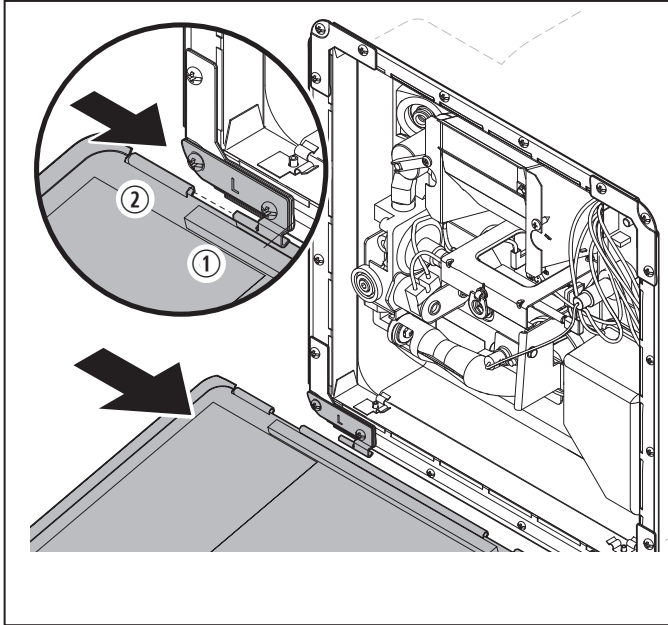
4. Placer la charnière gauche sur le support d'angle inférieur gauche et les fixer sur le boîtier avec trois vis à tête ronde #8 3/4 po ou un équivalent.

5. Fixer la charnière inférieure droite avec une seule vis à tête ronde #8 3/4 po ou un équivalent dans le trou du haut pour l'instant.

6. Fixer le boîtier au VR avec huit vis à tête ronde #8 3/4 po ou un équivalent dans les trous autour de la bride.

7. Inspecter les joints pour vérifier qu'ils adhèrent au plateau et créent un joint étanche.

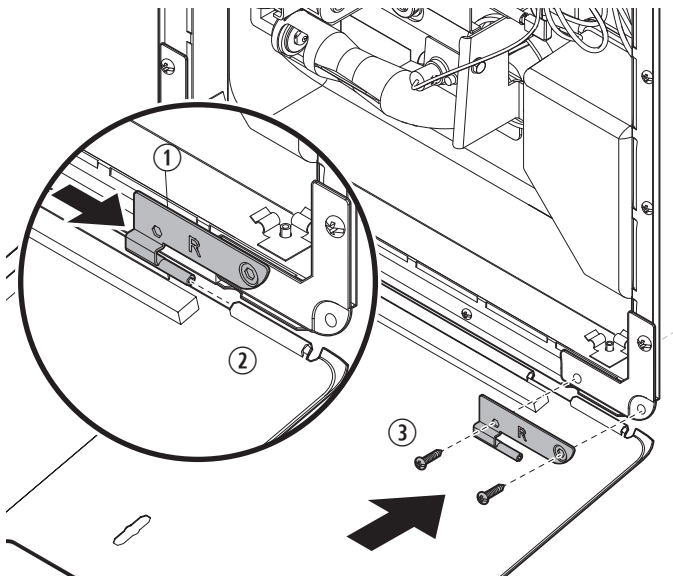
## 4.8 Installation de la trappe d'accès



**14** Glissement de la trappe d'accès sur la charnière gauche

- ① Charnière gauche      ② Trappe d'accès

1. Glisser la trappe d'accès sur la charnière gauche.



**15** Fixation de la charnière droite

- ① Charnière droite      ③ Vis à tête ronde  
② Trappe d'accès      #8 3/4 po (qté 2)

2. Glisser la charnière droite dans la trappe d'accès et la place contre le support d'angle droit. Fixer la charnière droite avec deux vis #8 3/4 po.

3. Appliquer du mastic sur les deux coins.

## 4.9 Effectuer les tests d'étanchéité

**⚠ AVERTISSEMENT : RISQUE DE DÉPART DE FEU ET/OU D'EXPLOSION.**

Ne **pas** utiliser d'allumettes, de bougies, ou d'autres moyens de test pour contrôler la présence éventuelle de fuites de gaz. Le non-respect de cet avertissement pourrait entraîner de graves blessures, voire la mort.

**i** Déconnecter le chauffe-eau du réseau de gaz avant tout test de pression supérieure ou égale à 0,5 psi (34 mbar).

1. Ouvrir l'alimentation en gaz et s'assurer que le chauffe-eau et les différents raccords de gaz ne comportent pas de fuites, à l'aide d'une solution de détection de fuites.
2. Remplir le réservoir du chauffe-eau avec de l'eau.
3. Vérifier que le réservoir et tous les raccords d'eau ne fuient pas.

## 5 Mode d'emploi

**⚠ AVERTISSEMENT : RISQUE DE BRÛLURE, DE DÉPART DE FEU, D'EXPLOSION ET/OU DANGER LIÉ AU MONOXYDE DE CARBONE.**

Garder la zone autour du chauffe-eau à l'écart de produits de nettoyage combustibles, d'essence et autres vapeurs et liquides inflammables. Le non-respect de cet avertissement pourrait entraîner des blessures graves ou la mort.

**⚠ AVERTISSEMENT : RISQUE DE DÉPART DE FEU ET/OU D'EXPLOSION. Le non-respect de cet avertissement pourrait entraîner de graves blessures, voire la mort :**

- Ne **pas** stocker ni utiliser d'essence ou d'autres vapeurs ou liquides inflammables à proximité de cet appareil ou de tout autre appareil.
- En cas de surchauffe ou si l'alimentation en gaz ne se coupe pas, mettre l'interrupteur de commande en position arrêt (OFF) et retirer le fil rouge de la borne gauche de l'interrupteur E.C.O. ou fermer le gaz au niveau de la bouteille de gaz P.L. (OFF).
- Utiliser uniquement avec du gaz P.L.

- Lors du réapprovisionnement en carburant, éteindre les appareils à gaz et les veilleuses.
- Éteindre le gaz (OFF) au niveau de la bouteille de gaz P.L., lorsque le véhicule est en déplacement. Cela permet de désactiver tous les appareils à gaz et toutes les veilleuses.
- Les appareils à gaz ne doivent jamais fonctionner lorsque le véhicule se déplace. Des mouvements d'air imprévisibles risqueraient d'entraîner un retour de flamme dans le tube du brûleur, ce qui pourrait causer des dommages par le feu. Le fusible de coupure thermique pourrait également être activé accidentellement et éteindre complètement le chauffe-eau. Le thermorupteur devrait alors être remplacé.

**⚠ ATTENTION : RISQUE DE DÉPART DE FEU.**

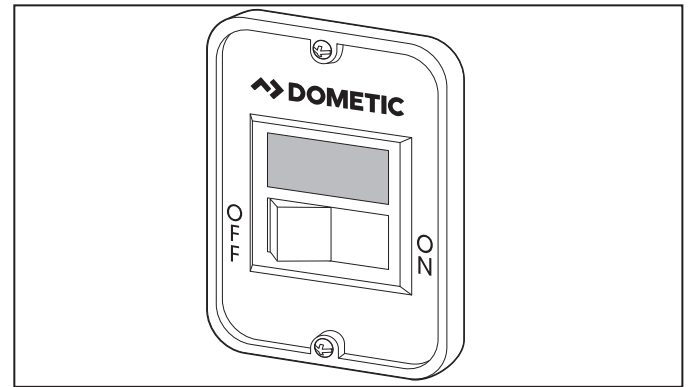
Ne **pas** fumer ou tenir de flamme à proximité d'un robinet ouvert. Le non-respect de cette mise en garde pourrait entraîner des blessures légères ou modérées.

**⚠ ATTENTION : RISQUE D'EXPLOSION.**

Si le chauffe-eau n'a pas été utilisé pendant plus de deux semaines, il est possible que de l'hydrogène se soit formé dans la conduite d'eau. Dans ces conditions, avant d'utiliser tout appareil électrique branché sur le système d'eau chaude, faire couler l'eau du robinet d'eau chaude de l'évier de la cuisine pendant plusieurs minutes pour réduire le risque de blessures. En cas de présence d'hydrogène, vous entendrez probablement l'air s'échapper du tuyau, lorsque l'eau commence à couler. Le non-respect de cet avertissement pourrait entraîner de graves blessures, voire la mort.

**AVIS :** Ne pas faire fonctionner sans eau dans le réservoir. Cela pourrait endommager le produit.

## 5.1 Utilisation de la commande électronique



**16** Interrupteur en position ON (Marche)

1. Mettre l'interrupteur en position ON (Marche).

**i** Si le voyant de l'interrupteur reste allumé pendant plus de 15 secondes, mettre l'interrupteur en position OFF (Arrêt), patienter 5 minutes et répéter l'étape 1.

### 5.1.1 Fonction gaz

**⚠ AVERTISSEMENT : RISQUE DE BRÛLURE, DE DÉPART DE FEU, D'EXPLOSION ET/OU DANGER LIÉ AU MONOXYDE DE CARBONE.**

Garder la zone autour du chauffe-eau à l'écart de produits de nettoyage combustibles, d'essence et autres vapeurs et liquides inflammables. Le non-respect de cet avertissement pourrait entraîner des blessures graves ou la mort.

Lorsque l'interrupteur de l'élément de chauffage au gaz est en position ON (Marche), le chauffe-eau essaiera de s'allumer trois fois. Dans le cas où, pour une raison quelconque, l'allumage ne se produit pas, le chauffe-eau se verrouille et le voyant lumineux de verrouillage s'allume au rouge. Quand le thermostat ne fonctionne pas, l'E.C.O. verrouillera également le chauffe-eau et il faudra le réinitialiser. Identifier la raison pour laquelle l'allumage ne s'effectue pas, rectifier l'erreur et réinitialiser le processus de régulation du gaz en éteignant (OFF), puis en rallumant (ON) l'appareil.

### 5.1.2 Élément de chauffage électrique

Lorsque l'interrupteur de l'élément électrique est en position ON (Marche), le relais situé à l'arrière de

l'unité se ferme, envoyant un courant de 110 V c.a. vers l'élément. Si le thermostat ne fonctionne pas, l'E.C.O. s'active et verrouille le système. Pour remédier à ce problème, vérifier que le contact entre le thermostat et le réservoir est adéquat. Réinitialiser la commande en mettant l'interrupteur électrique en position OFF (Arrêt), puis en position ON (Marche).

### 5.1.3 Fonction gaz/électricité

L'appareil peut fonctionner simultanément en mode gaz et en mode électrique, ce qui permet d'éviter les interruptions prolongées.

**i** Si le gaz ne s'allume pas, le mode gaz se verrouillera, mais le voyant de verrouillage ne s'allumera pas étant donné que le mode électrique est encore en marche.

Si vous remarquez une interruption prolongée indiquant que le gaz ne fonctionne pas, mettre l'interrupteur de la commande électronique en position OFF (Arrêt). Le voyant s'allumera, indiquant qu'un verrouillage vient de se produire du côté gaz.

Rectifier le problème et remettre les interrupteurs sur la position ON (Marche).

Voir « Entretien et nettoyage » à la page 41.

## 5.2 Résoudre une défaillance dans le fonctionnement du chauffe-eau

Si le chauffe-eau ne fonctionne pas car la température de l'eau est trop élevée, il se verrouille. Rechercher la cause de la surchauffe et rectifier le problème avant de réinitialiser le chauffe-eau.

Rechercher la cause de la surchauffe, puis effectuer les étapes suivantes afin de réinitialiser le chauffe-eau :

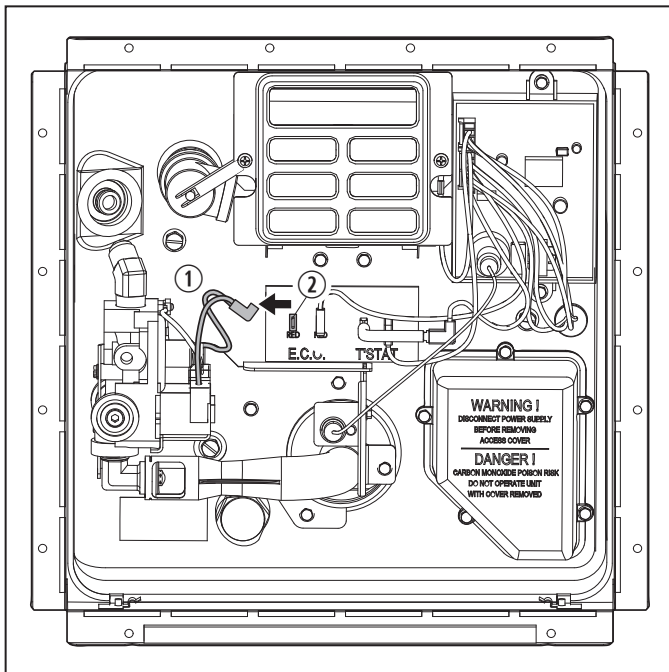
1. Attendre que l'eau refroidisse.
2. Mettre l'interrupteur en position OFF (Arrêt) et patienter 30 secondes.
3. Mettre l'interrupteur en position ON (Marche).

Si le verrouillage persiste :

1. Lire les consignes dans les sections « Entretien et nettoyage » et « Entretien de la commande électronique » de ce manuel.
2. Contacter un centre de réparation Dometic.



### 5.3 Éteindre le chauffe-eau



**17** Retirer le fil rouge de l'interrupteur E.C.O.

① Fil rouge

② Borne gauche de l'interrupteur E.C.O.

**i** Effectuer ces étapes avant toute réparation effectuée sur le chauffe-eau.

1. Mettre l'interrupteur en position OFF (Arrêt).
2. Retirer le fil rouge de la borne gauche de l'interrupteur E.C.O. (E.C.O. au robinet).

## 6 Entretien et nettoyage

**⚠ AVERTISSEMENT : DANGER D'EMPOISONNEMENT AU MONOXYDE DE CARBONE.**

Les flammes de gaz consomment de l'oxygène, lequel doit être remplacé pour assurer une combustion adéquate. Fournir de l'air frais pendant les essais, l'entretien et la maintenance de l'appareil. Le non-respect de cet avertissement peut entraîner de graves blessures, voire la mort.

**⚠ AVERTISSEMENT : RISQUE DE DÉPART DE FEU OU D'EXPLOSION. Le non-respect de ces avertissements pourrait entraîner de graves blessures, voire la mort :**

- Avant toute procédure d'entretien ou de nettoyage, couper le gaz au niveau de la bouteille de gaz P.L. avant de débrancher une ligne de gaz.
- S'assurer que le compartiment de commande est propre et ne comporte pas de carburant, de matériaux combustibles ou de liquides ou vapeurs inflammables.

**i** Lors d'une maintenance sur les commandes, étiqueter tous les fils avant de les débrancher.

**i** Vérifier le bon fonctionnement après une maintenance.

Faire tester la pression du gaz régulièrement. La pression doit être réglée sur 11 po (27,94 cm) de colonne d'eau lorsque 3 appareils fonctionnent.

Évacuer l'eau contenue dans le chauffe-eau à intervalles réguliers (au moins une fois par an).

Évacuer l'eau contenue dans le VR avant de l'entreposer pour l'hiver ou lorsqu'il existe un risque de gel.

S'assurer que l'évent et la grille d'air de combustion ne comportent aucune obstruction.

Inspecter régulièrement la flamme du brûleur principal.

### 6.1 Maintenance de la carte contrôleur DSI

À l'usine, votre chauffe-eau a été équipé d'une carte contrôleur DSI à fusible. Ce fusible protège la carte de circuits imprimés contre les courts-circuits pouvant survenir dans les câblages.

Si le fusible grille, le chauffe-eau ne fonctionnera pas.

Avant de remplacer le fusible, vérifier que le court-circuit n'est pas externe à la carte contrôleur DSI.

Une fois le court-circuit réparé, remplacer le fusible de 2 ampères par un mini-fusible de type ATO.

**i** Ne pas installer de fusible de plus de 3 ampères.

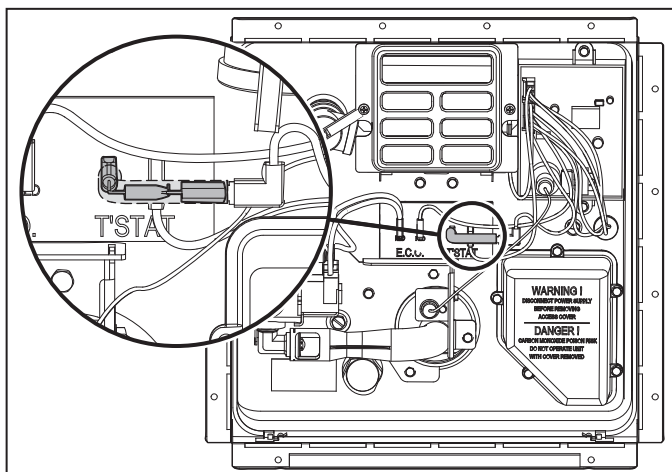
Si le fusible est intact mais que l'appareil ne fonctionne pas, vérifier que la tension du courant alimentant l'appareil n'est pas trop élevée (supérieure à 14 volts).

Vérifier que la tension du courant n'est pas trop basse (inférieure à 10 V c.c.) sur la ligne du thermostat.

Inspecter et enlever tous les débris, comme la poussière et les nids d'insectes dans le tube du brûleur ou le système d'évacuation. S'il est difficile d'enlever les nids, contacter un centre de réparation agréé.

Si les étapes précédentes ne rectifient pas le problème, inspecter le système de coupure thermique.

Le système de coupure thermique est un dispositif installé sur la ligne d'alimentation.



18 Système de coupure thermique

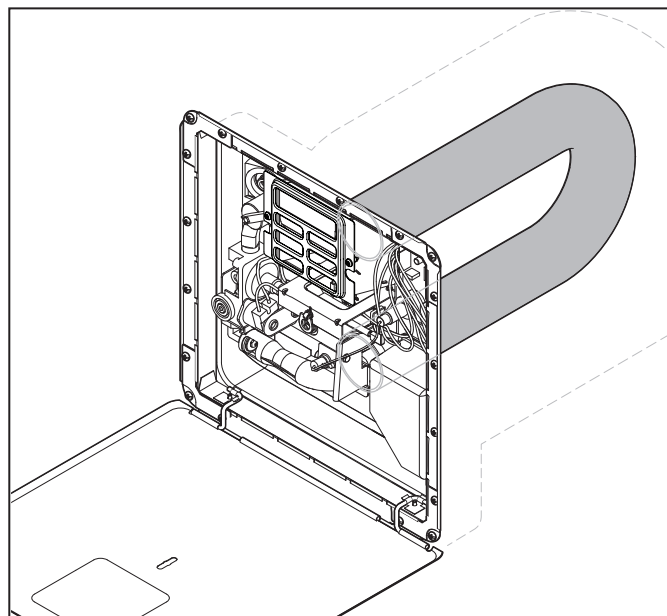
Ce dispositif, une fois déclenché, coupe l'arrivée du courant électrique et le fonctionnement du chauffe-eau. Par exemple, en cas d'obstruction dans la conduite d'évacuation, tel que décrit dans la section « Effectuer l'entretien préventif » à la page 42, la flamme ou la chaleur du brûleur risquent d'entrer en contact avec le système de coupure, ce qui fera fondre l'élément du fusible incorporé dans le système de coupure thermique. Pour rétablir l'électricité et le bon fonctionnement du chauffe-eau, l'obstruction doit être éliminée et le système de coupure thermique doit être remplacé.

## 6.2 Effectuer l'entretien préventif

Araignées, guêpes et autres insectes font parfois leur nid dans le tube du brûleur. Cela risque de causer une mauvaise combustion, un retard dans l'allumage ou un allumage à l'extérieur du tube de combustion ou du brûleur.

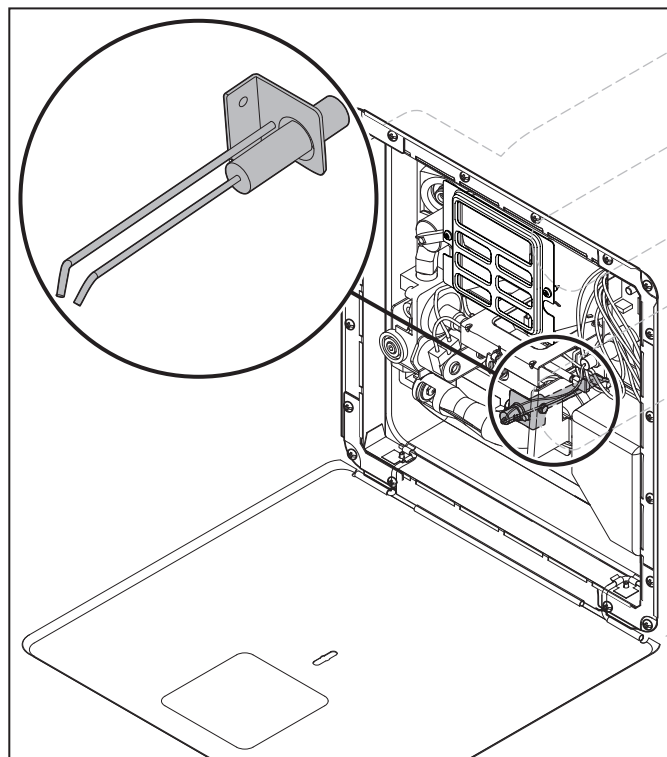
Prêter attention à tout changement du son produit par le brûleur et de l'apparence de la flamme (calme ou encore jaune vif plutôt que drue et bleue). Cela indique que le tube du brûleur ou une partie du brûleur est obstrué.

Inspecter et nettoyer régulièrement le tube du brûleur. Introduire une brosse métallique flexible à l'intérieur du tube du brûleur pour retirer les obstructions ou nettoyer le brûleur, notamment le tube.



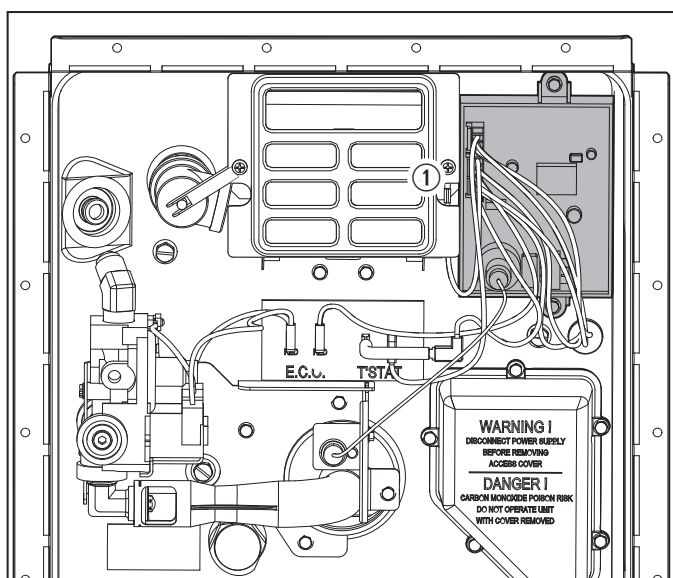
19 Tube du brûleur

## 6.3 Nettoyage du module d'allumage électronique



20 Inspection de l'électrode

1. Inspecter l'orifice du brûleur principal.
2. Nettoyer et régler le brûleur principal.
3. S'assurer du bon alignement du brûleur principal et des soupapes.
4. Vérifier que la porcelaine de l'électrode ne comporte pas de fissures.
5. Vérifier que l'écart entre l'électrode et le sol est bien de 0,125 po (0,3175 cm).
6. Vérifier que la carte contrôleur DSI ne fonctionne pas de manière intermittente. En cas de fonctionnement intermittent de la carte contrôleur DSI, enlever la carte et nettoyer le bornier avec une gomme à effacer.



21 Carte contrôleur DSI

① Carte contrôleur DSI

## 6.4 Entretien du réservoir du chauffe-eau

### **⚠ ATTENTION : RISQUE DE BRÛLURES.**

Éteindre le chauffe-eau et attendre que l'eau refroidisse avant d'enlever le bouchon de vidange et de rincer le réservoir d'eau du chauffe-eau. Le non-respect de cette mise en garde pourrait entraîner des blessures légères ou modérées.

### 6.4.1 Préparation hivernale de l'appareil

**i** Pour assurer le meilleur rendement de votre chauffe-eau et prolonger la vie du réservoir, évacuer et rincer régulièrement le réservoir du chauffe-eau.

**i** Avant le rangement à long terme ou avant l'arrivée du gel, évacuer et rincer le réservoir.

1. Couper l'alimentation principale en eau (la pompe ou la source d'apport en eau) puis tirer sur la poignée de la soupape de sécurité P/T. Cela permettra à l'eau de sortir par le trou de vidange.
2. Évacuer l'eau du réservoir du chauffe-eau en retirant le bouchon de vidange.

Une fois le réservoir vidangé, étant donné l'emplacement du bouchon de vidange, il restera environ deux litres d'eau dans le réservoir. Cette eau contient la plus grande partie des particules corrosives dangereuses. Pour retirer ces particules corrosives dangereuses, rincer le réservoir soit avec de l'air, soit avec de l'eau. Que vous utilisiez de l'air ou de l'eau sous pression, l'application peut se faire soit par l'entrée, soit par la sortie située à l'arrière du réservoir ou par la soupape de sécurité P/T. (En cas d'utilisation de la soupape de sécurité P/T, il faudra tirer complètement sur la poignée.) La pression forcera l'eau et les particules corrosives restantes à s'évacuer.

En cas d'utilisation d'eau sous pression, pomper de l'eau fraîche dans le réservoir à l'aide d'une pompe à bord ou utiliser de l'eau venant de l'extérieur pendant 90 secondes, de façon à permettre à l'eau fraîche de remuer l'eau stagnante se trouvant au fond du réservoir et de forcer les dépôts à sortir par le trou de vidange. Continuer à rajouter de l'eau et à évacuer, jusqu'à ce que l'eau restant dans le réservoir ne comporte plus aucune particule.

Si l'eau coule de façon irrégulière, ouvrir la soupape de sécurité P/T pour permettre à l'air d'entrer dans le réservoir. À l'aide d'un fil de fer de petit diamètre ou d'un porte-manteau, piquer à l'intérieur du trou de vidange de façon à éliminer toute obstruction.

3. Remettre le bouchon de vidange et fermer la soupape de sécurité P/T.

**i** Les deux litres d'eau qui restent au fond du réservoir suite à la vidange n'endommageront pas le réservoir en cas de gel.

## 6.4.2 Rétablir la poche d'air d'expansion thermique

### **⚠ ATTENTION : RISQUE DE BRÛLURES.**

Couper le chauffe-eau avant d'ouvrir la soupape de sécurité P/T et de rétablir la poche d'air. L'eau contenue dans le réservoir doit être froide. Le non-respect de cette mise en garde pourrait entraîner des blessures légères ou modérées.

1. Laisser l'eau refroidir ou la laisser couler jusqu'à ce qu'elle soit froide.
2. Couper l'alimentation principale en eau (la pompe ou la source d'apport en eau).
3. Ouvrir le robinet d'eau chaude le plus proche du chauffe-eau.
4. Tirer complètement la poignée de la soupape de sécurité P/T et laisser l'eau couler, jusqu'à ce qu'elle s'arrête.
5. Laisser la soupape de sécurité P/T revenir brusquement en position fermée.
6. Fermer le robinet.
7. Ouvrir l'alimentation en eau.
8. Allumer le chauffe-eau et le tester.

**i** Faire fonctionner manuellement la soupape de sécurité P/T au moins une fois par an.

9. Lorsque la soupape de sécurité P/T dégoutte à nouveau, répéter les étapes 1 à 8.

Pour vidanger avec la soupape de sécurité P/T :

1. Tirer sur la poignée de la soupape de sécurité P/T.
2. Appliquer de la pression d'air dans la soupape de sécurité P/T.

Pour une solution permanente, Dometic vous conseille l'une des procédures suivantes :

1. Installer une soupape de sécurité de température et pression dans la conduite d'arrivée d'eau froide du chauffe-eau. Régler la soupape pour qu'elle fonctionne à 100–125 psi (689,47 kPa–861,84 kPa). Voir « Remplacement des pièces de soupape de sécurité P/T » à la page 46.

2. Fixer une conduite de vidange à partir de la soupape jusqu'à l'extérieur du VR. Lors de la fixation de la conduite de vidange, s'assurer que l'eau s'écoule sans problème.
3. Il est également possible d'installer un réservoir d'expansion de type membrane dans la conduite d'arrivée d'eau froide. Le réservoir devra permettre une dilatation d'environ 15 onces d'eau et une mise sous pression égale à la pression de l'alimentation en eau. Ces dispositifs sont disponibles chez un plombier ou dans un centre de réparation.

## 6.4.3 Rinçage du réservoir

Utiliser cette procédure pour un rinçage global du réservoir du chauffe-eau.

1. Couper l'alimentation principale en eau (la pompe ou la source d'apport en eau).
2. Retirer le bouchon de vidange et évacuer toute l'eau du réservoir.

**i** Si l'eau coule de façon irrégulière ou goutte, ouvrir la soupape de sécurité P/T, puis utiliser un fil de fer de petit diamètre ou un porte-manteau pour retirer toute obstruction du trou de vidange.

Une fois le réservoir vidangé, il restera environ deux litres d'eau dans le réservoir. Cette eau contient la plus grande partie des particules corrosives. Pour éliminer ces particules, utiliser un « Outil de rinçage pour chauffe-eau de VR ». La poignée de cet outil de rinçage permet au jet d'eau de nettoyer l'intérieur du réservoir sous différents angles. Nettoyer l'intérieur du réservoir sous différents angles permet de détacher et d'éliminer les particules corrosives des conduits de vidange.

3. Continuer à rincer le réservoir jusqu'à ce que l'eau sortant des conduits de vidange soit claire.
4. Remettre le bouchon de vidange.

### 6.4.4 Rincer pour éliminer les mauvaises odeurs

Une odeur d'œuf pourri (sulfure d'hydrogène) pourra se dégager du fait de l'action électrolytique du matériau de gainage qui dégage de l'hydrogène de l'eau. En cas de présence de soufre dans l'alimentation en eau, l'eau et le soufre se mélangent pour donner une odeur désagréable.

1. Couper l'alimentation principale en eau.
2. Retirer le bouchon de vidange et vider le réservoir du chauffe-eau.
3. Remettre le bouchon de vidange.
4. Retirer la soupape de sécurité P/T.
5. Préparer une solution de 4 parts de vinaigre blanc pour 2 parts d'eau.
6. Au moyen d'un entonnoir, verser la solution à l'intérieur du réservoir, avec précaution.
7. Faire fonctionner le chauffe-eau avec la solution de vinaigre et d'eau en le laissant fonctionner normalement pendant 4 ou 5 cycles.
8. Retirer le bouchon de vidange et bien évacuer toute l'eau du réservoir.
9. Vidanger le chauffe-eau de manière à éliminer tous les sédiments.

Il est possible de rincer le réservoir avec de l'air sous pression ou avec de l'eau claire. La pression peut être appliquée soit par les clapets d'arrivée ou de sortie à l'arrière du réservoir, soit au raccord de la soupape de sécurité P/T se trouvant à l'avant de l'appareil. Si le rinçage est effectué par la soupape de sécurité P/T, lever la poignée et appliquer la pression d'air.

### 6.5 Exigences particulières pour les modèles EXT

Si le débit d'eau au robinet d'eau chaude est faible ou que l'eau ne semble pas aussi chaude à la sortie du chauffe-eau, le mélangeur est peut-être défectueux. Un faible débit d'eau ou de l'eau froide provenant de modèles de chauffe-eau EXT indique la présence de corrosion sur les joints et/ou de débris bloquant le filtre d'arrivée (si fourni) du mélangeur. Si ce problème se produit, appeler un technicien pour la réparation.

### 6.6 Réparation du mélangeur

**⚠ AVERTISSEMENT : RISQUE DE BRÛLURES.**  
**Le non-respect de ces avertissements pourrait entraîner de graves blessures, voire la mort.**

- Le mélangeur ne peut pas être réparé; il doit être remplacé en cas de défaillance.
- Le mélangeur doit être remplacé uniquement par un technicien agréé.
- Altérer le mélangeur risque de provoquer des brûlures.

**i** Altérer le mélangeur annulera la garantie.

**i** Cette soupape est un élément de sécurité qui doit être retiré uniquement en cas de remplacement.

- Ce chauffe-eau est équipé d'un mélangeur (régulateur) qui mélange l'eau froide avec de l'eau à plus haute température, de façon à obtenir une température de l'eau à sa sortie de 130 °F (54 °C) environ. Il est également équipé d'un thermostat à plus haute température qui permet d'augmenter la température de l'eau dans le réservoir.

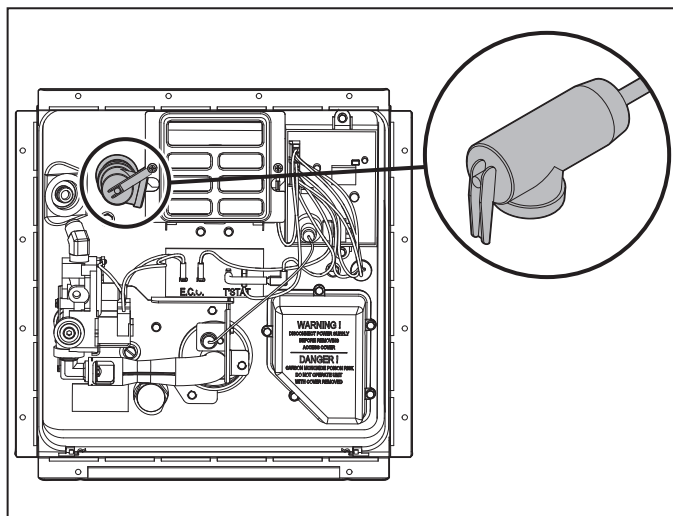
## 6.7 Réparation de la soupape de sécurité P/T

**⚠ AVERTISSEMENT : RISQUE D'EXPLOSION OU DE BRÛLURE. Le non-respect de ces avertissements pourrait entraîner de graves blessures, voire la mort.**

- Ne **pas** altérer la soupape de sécurité P/T.
- Ne **pas** placer de robinet, de bouchon ou de raccord de réduction sur la partie extérieure de la soupape de sécurité P/T.

**i** La soupape de sécurité P/T est un élément de sécurité qui doit être retiré **uniquement** en cas de remplacement.

**i** Altérer la soupape de sécurité P/T annulera la garantie.



### 22 Soupape de sécurité P/T

La soupape de sécurité P/T ne peut pas être réparée. Elle doit être remplacée en cas de défaillance.

Ce chauffe-eau est équipé d'une soupape de sécurité P/T en conformité avec la norme ANSI 221.22 sur les soupapes de sécurité et les mécanismes de coupure automatique du gaz pour systèmes à eau chaude.

En cas d'utilisation d'un tuyau d'écoulement, ne pas utiliser de raccord réducteur ou toute autre restriction qui soit inférieure en diamètre à la sortie de la soupape de sécurité P/T. Laisser la soupape et la conduite s'écouler complètement.

Lorsqu'une soupape de sécurité P/T dégoutte pendant le fonctionnement du chauffe-eau, cela ne signifie pas qu'elle est défectueuse. La soupape de sécurité P/T dégoutte parfois, du fait de l'expansion naturelle de l'eau lorsque celle-ci est chauffée à l'intérieur du réseau d'alimentation en eau d'un VR. Le réservoir du chauffe-eau Dometic comporte une poche d'air interne en haut du réservoir qui permet de réduire les risques d'égouttement. Au fil du temps, l'expansion de l'eau absorbera cette poche d'air, laquelle devra être rétablie. En raison des qualités d'eau variables, la durée de vie de la soupape de sécurité P/T peut être raccourcie, et son remplacement peut être nécessaire pendant la période de garantie du chauffe-eau. En cas de corrosion, ce remplacement ne sera pas couvert pas la garantie.

### Remplacement des pièces de soupape de sécurité P/T

- Installer au minimum une soupape de sécurité P/T combinée, homologuée par un laboratoire de test reconnu au niveau national, qui inspecte régulièrement les produits d'équipement ou de matériaux concernés, selon les normes ANSI Z21.22 pour les soupapes de sécurité et les mécanismes de coupure automatique du gaz pour systèmes à eau chaude. Le réglage de pression maximum de la soupape ne doit pas dépasser 150 psi (1 034,21 kPa).
- Installer la soupape dans l'ouverture prévue, marquée à cet effet sur le chauffe-eau.
- L'installation doit être conforme aux codes locaux ou, faute de codes locaux, à la norme américaine nationale pour véhicules récréatifs ANSI A119.2/ NFPA 501C.
- En cas de source électrique externe, cet appareil doit être mis à la terre selon le Code électrique national ANSI/NFPA70.

## 6.8 Utilisation d'éléments de chauffage de l'eau qui ne sont pas d'origine

**⚠ AVERTISSEMENT : RISQUE D'EXPLOSION OU DE BRÛLURE. Le non-respect de ces avertissements pourrait entraîner de graves blessures, voire la mort :**

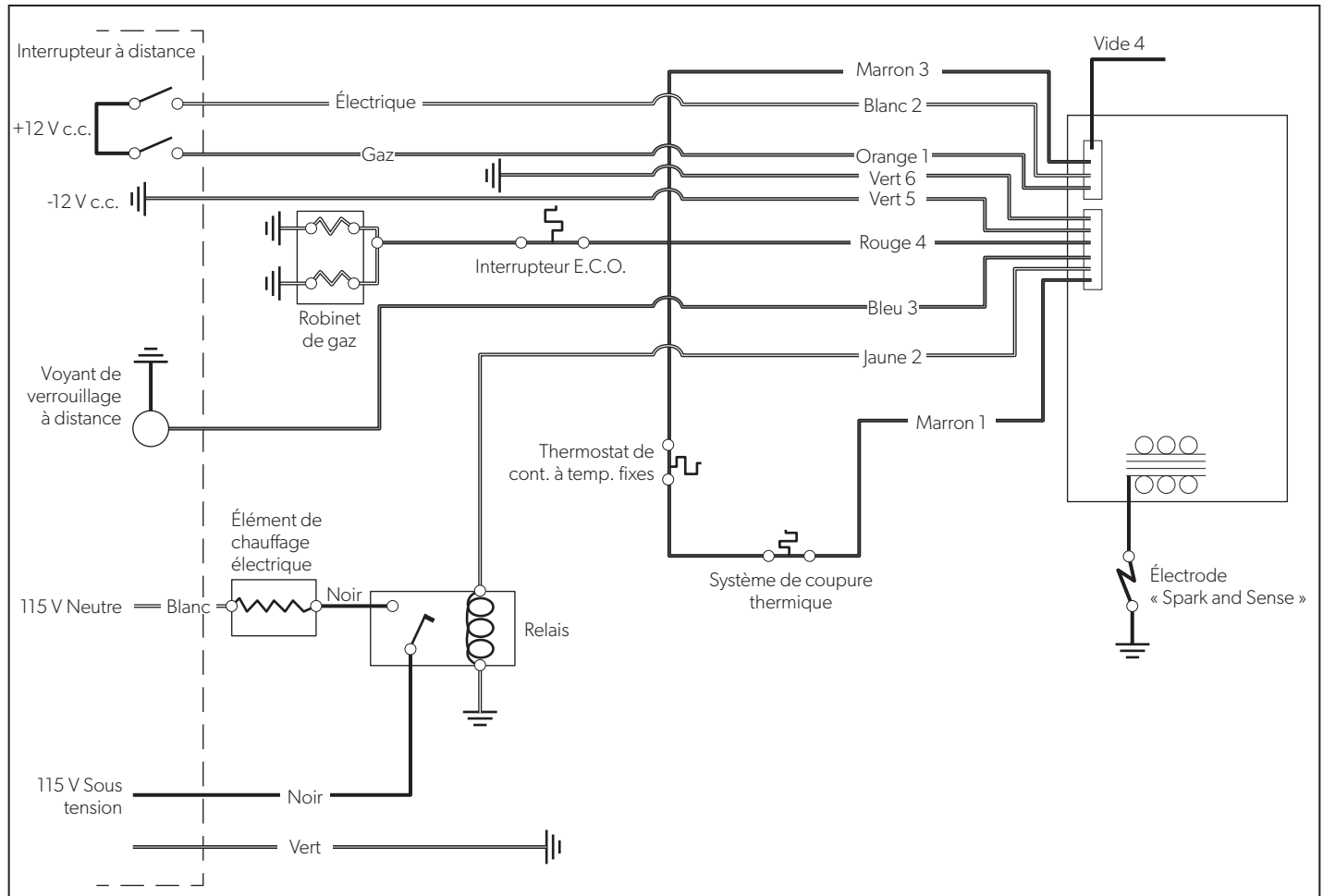
- Ne **pas** utiliser des éléments de chauffage provenant du marché secondaire. Les éléments de chauffage risquent de ne pas avoir fait l'objet de certains contrôles de sécurité importants.
- Ne **pas** utiliser de moustiquaires, de tiges d'anodes ou d'autres dispositifs non homologués avec ce chauffe-eau.
- L'utilisation d'éléments de chauffage provenant du marché secondaire peut causer le chauffage non régulé du réservoir d'eau et son explosion.

**AVIS :** L'utilisation de tout élément de chauffage provenant du marché secondaire peut endommager les composants ou le chauffe-eau.

Toute altération, comme l'ajout d'un élément de chauffage provenant du marché secondaire, annulera la garantie.

## 7 Diagrammes de câblage

**i** Les lignes en pointillé sont câblées par le client.



### 23 Combinaison gaz/électricité

**i** Lors d'une maintenance sur les commandes, étiqueter tous les fils avant de les débrancher. Les erreurs de branchement peuvent causer un fonctionnement incorrect et dangereux. Vérifier le bon fonctionnement après une maintenance.



## 8 Élimination



Placer les matériaux d'emballage dans les bacs de recyclage appropriés, si possible. Consulter un centre de recyclage local ou un revendeur spécialisé pour en savoir plus sur l'élimination du produit conformément à toutes les réglementations nationales et locales applicables.

## 9 Informations de garantie

Voir les sections ci-dessus pour des renseignements sur la garantie et l'assistance sous garantie aux États-Unis, au Canada et dans toutes les autres régions.

### 9.1 États-Unis et Canada

GARANTIE LIMITÉE DISPONIBLE À  
[WWW.DOMETIC.COM/WARRANTY](http://WWW.DOMETIC.COM/WARRANTY).

POUR TOUTE QUESTION OU POUR OBTENIR  
UNE COPIE GRATUITE DE LA GARANTIE LIMITÉE,  
CONTACTER :

DOMETIC CORPORATION  
CUSTOMER SUPPORT CENTER  
1120 NORTH MAIN STREET  
ELKHART, INDIANA, USA 46514  
1-800-544-4881 OPT 1

### 9.2 Toutes les autres régions

La période de la garantie légale est applicable. En cas de défaillance du produit, veuillez contacter la filiale du fabricant dans votre région (voir les adresses au dos du mode d'emploi) ou votre revendeur.

Pour le traitement des réparations ou de la garantie, veuillez inclure les documents suivants lors de l'envoi de l'appareil :

- Une copie du justificatif d'achat comprenant la date de l'achat.
- Une explication de la demande ou une description de la défaillance.





Mobile living made easy.

---



**dometic.com**

---

**YOUR LOCAL  
DEALER**

[dometic.com/dealer](https://dometic.com/dealer)

**YOUR LOCAL  
SUPPORT**

[dometic.com/contact](https://dometic.com/contact)

**YOUR LOCAL  
SALES OFFICE**

[dometic.com/sales-offices](https://dometic.com/sales-offices)

---