



*OWNER'S MANUAL*  
**PIONEER PATIO AWNING**  
 A Manual Crank Operated Awning

**RV**



*TABLE OF CONTENTS*

<b>Introduction .....</b>	<b>2</b>
<b>Operating the Awning .....</b>	<b>3</b>
To Open the Awning:.....	3
Adjusting the Pitch.....	4
Rain Release Setting.....	4
Setting the Arms in the Carport Position.....	4
Closing the Awning.....	5
<b>Awning Care .....</b>	<b>6</b>
Fabric Care.....	6
<b>Carefree Product Limited Warranty .....</b>	<b>7</b>

## INTRODUCTION

From its beginning in the early 70's, Carefree of Colorado has emerged as the premier manufacturer of quality awnings and accessories for Recreational Vehicles (RVs). Our full line of products can provide the accessories that match your life style; no matter what type of RV you own.

Check with your dealer to discover the products that can make your life more Carefree.

---

The clean molded lines of Carefree's Pioneer Patio Awning are stylized to match Carefree's Line of Patio Awnings. Built with Carefree's attention to quality, value and style, this awning is the perfect compliment for any RV.

- Simple manual operation. No springs to deal with.
  - No travel locks required. The manual crank holds the awning securely against billowing during travel.
  - When the awning is extended, the arms can be left on the RV or rotated down and placed in the carport position (vertical).
  - The pitch can be set to provide the best shade and rain run off.
- 

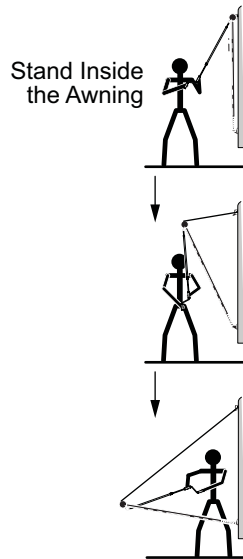
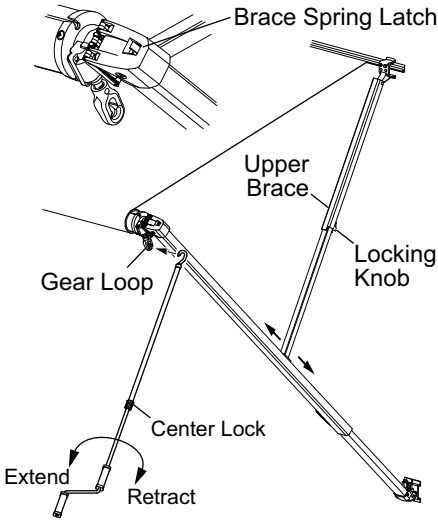
**⚠WARNING** AWNINGS ARE DESIGNED TO PROVIDE SHADE AND PROTECTION FROM THE SUN. THE EFFECTS OF WIND AND RAIN ON AN AWNING ARE UNPREDICTABLE AND CAN CAUSE SEVERE DAMAGE TO THE AWNING AND/OR THE VEHICLE. IF WIND OR EXTENDED PERIODS OF RAIN ARE EXPECTED, ROLL UP THE AWNING.

**⚠WARNING** KEEP ALL SOURCES OF HEAT AND FLAME AWAY FROM THE AWNING CANOPY. FABRIC IS NOT FIRE-PROOF AND CAN BURN IF LEFT IN CONTACT WITH ANY FLAME OR HEAT SOURCE.

**⚠CAUTION** IT IS RECOMMENDED THAT IF LEAVING THE RV UNATTENDED FOR A LENGTH OF TIME, RETRACT THE AWNING TO AVOID UNEXPECTED CLIMATE CONDITIONS.

## OPERATING THE AWNING

### TO OPEN THE AWNING:



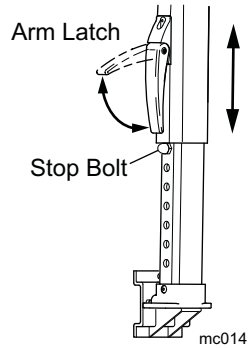
1. Loosen the black knob on the upper brace of both arms
2. Insert the hook of the crank handle into the gear loop located on the right side of the awning.
3. Turn the handle counter clockwise to extend the awning.
4. Push the braces up to the top of the arms. The brace sliders have a small spring catch that latches into the end plugs when the braces are at the top of the arms.
5. While pressing outward on the roll bar to tension the fabric, tighten the black lock knob on the brace. Repeat for the other side.

The crank handle may be extended or shortened by the twisting the center lock then sliding the handle in or out to the desired length. Tighten the center lock when finished.

**⚠CAUTION ALWAYS USE THE SUPPORT BRACES TO HOLD THE AWNING OUT IN THE EXTENDED POSITION. FAILURE TO USE THE BRACES MAY RESULT IN THE AWNING COLLAPSING POSSIBLY CAUSING INJURY OR DAMAGE TO THE AWNING OR THE RV. PERSONAL INJURY OR DAMAGE MAY OCCUR THAT WILL NOT BE COVERED BY WARRANTY.**

### ADJUSTING THE PITCH

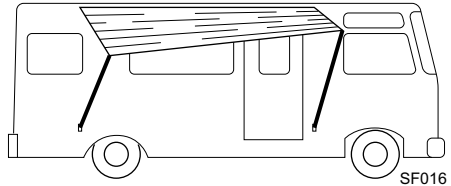
1. Open the arm latch.
2. Slide the upper arm channel out until the desired pitch is achieved.
3. Close the arm latch. It may be necessary to move the arm up and down slightly for the lock pin to snap into a position hole.
4. Repeat for other side.



### RAIN RELEASE SETTING

**The effects of wind and rain on an awning are unpredictable. Severe damage to the awning and/or the vehicle may result. IF WIND OR EXTENDED PERIODS OF RAIN ARE EXPECTED, ROLL UP THE AWNING AND SECURE FOR TRAVEL.**

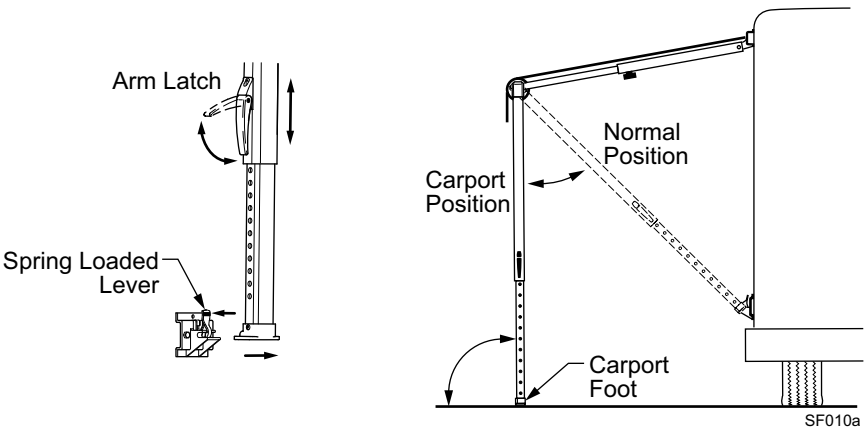
If the awning is extended during rain, position one arm at minimum pitch and the other arm at maximum pitch. This will provide slope to allow the water to run off and prevent pooling.



### SETTING THE ARMS IN THE CARPORT POSITION

When it is desirable to have an open walkway from the side of the awning, the arms can be set in the carport position. In this position, the arms are set perpendicular to the ground surface.

**⚠CAUTION BEFORE SETTING THE ARMS IN THE CARPORT POSITION, DISCONNECT ANY OPTIONAL CENTER RAFTERS OR RAFTERS WITH ROOMS. ROTATING THE ARMS WITH THE RAFTERS ATTACHED CAN CAUSE DAMAGE TO THE RAFTERS AND AWNING.**



1. Open the awning.
2. Ensure that the braces are locked into position and the black knobs are tightened.
3. While supporting the arm and roll bar, release the carport foot from the bottom support bracket. The latch is spring loaded. While holding the latch open, slide the arm from the bracket.
4. Set the arm perpendicular to the ground.
5. Adjust the awning height using the pitch adjustment described on page 4
6. Repeat for the other arm.
7. Stake the carport feet to the ground to secure the arms. Stakes are not included with awning.

### *CLOSING THE AWNING*

*(Refer to illustrations on pages 3 & 4)*

1. Disconnect, remove and/or store any optional equipment that is used (i.e. rafters, hangers etc.) Follow the storage directions furnished with the particular option(s).
2. If the awning has been placed in the carport configuration:
  - Remove the stakes holding the carport foot.
  - Swivel the arm back and lock the carport feet into the bottom mounting bracket.
  - Repeat for the second arm.
3. Return the arm length to the storage length:
  - Open the arm latch and slide the upper arm channel down to the stop bolt.
  - Close the arm latch. It may be necessary to move the arm up and down slightly for the lock pin to snap into the position hole.
  - Repeat for the second arm.
4. Loosen the black lock knob for the brace.
5. Disengage the spring latch for the brace (located on the top of the roller tube end plug) and slide the brace down the arm. It may be necessary to press out on the roll bar to ease the tension. Repeat for the second arm.
6. Insert the hook of the crank handle into the gear loop located on the right side of the awning.
7. Turn the handle clockwise to retract the awning.
8. Tighten the black lock knob on the braces.

The awning is now ready for travel and storage.

## AWNING CARE

Maintaining a Carefree Awning is easy. Just follow these basic steps:

- Always operate the awning according to the instructions.
- Periodically check that the fasteners are tight. Tighten if necessary.
- Keep the awning fabric and arms clean.

### FABRIC CARE

**⚠CAUTION DO NOT USE OIL BASED CLEANERS OR ANY CAUSTIC, GRANULATED, OR ABRASIVE TYPE CLEANERS ON YOUR CAREFREE PRODUCT.**

1. One of the best ways to keep the fabric looking good and to delay the need for deep or vigorous cleanings is to hose fabrics off on a monthly basis with clear water. This practice will help prevent dirt from becoming deeply imbedded in the fabric. In most environments, a thorough cleaning will be needed every two to three years.
2. When it's time for a thorough cleaning, the fabric can be cleaned while still on the awning frame. For vinyl fabric, use a soft brush and warm water with soap.
3. When cleaning the fabric, it is important to observe the following:
  - Always use a natural soap, never detergent.
  - Water should be cold to lukewarm, never more than 100°F.
  - Air-dry only. Never apply heat to the fabric.
  - Always allow the fabric to dry thoroughly before rolling up the awning.

### MILDEW

Mildew is a fungus growth that looks like dirt. Vinyl coated polyester fabrics are mildew resistant because of a chemical biocide in the vinyl coating. Under ordinary conditions, mildew will not appear. However, in areas where high temperature and humidity are common, mildew can be a problem and require the material to be washed more frequently. Thoroughly rinse the fabric with clean water and allow to air dry completely before rolling up the awning.

### POOLING

When water collects on the top of the fabric, this is known as "pooling". This can occur during inclement weather or if a running air conditioner discharges over the awning. The water is dumped when the awning is retracted. It is recommended that if water accumulates on the top; retract the awning in steps (8"-12") to dump the water. This will help prevent the fabric from stretching or distorting.

### LEAKING

On vinyl canopies, side hems and poly cords are stitched in with a sewing machine. On occasion, this stitching may allow water to seep or leak through the stitches. This is normal and not a defect covered by warranty. Treat the seams with a quality seam sealer.

### ARM CARE

The best method of keeping the arms and braces operating smoothly is to clean them. Dirt and debris can cause the channels not to slide easily. Periodically wash out the channels with running water (i.e. a hose) to keep them clean. If the channels still do not slide easily, lightly spray the inside of the channels with a dry silicone lubricant, after the arms have been cleaned and dried.

Locking knobs should be periodically loosened and removed then sprayed with a dry lubricant to prevent binding and locking.

## CAREFREE PRODUCT LIMITED WARRANTY

Carefree of Colorado (hereafter referred to as Carefree) warrants to the first retail Purchaser that the Carefree Product is free of defects in material and workmanship within the terms and conditions as set forth in the warranty statement available online at [www.carefreeofcolorado.com](http://www.carefreeofcolorado.com). Carefree's obligation under this warranty is limited to the repair or replacement, at Carefree's option, of any defective component with new or factory refurbished components.

OWNER MUST RETAIN THE ORIGINAL PROOF OF PURCHASE AND/OR HAVE THE PRODUCT WARRANTY REGISTRATION ON FILE AT CAREFREE FOR WARRANTY CLAIMS.

THIS WARRANTY IS NOT TRANSFERABLE.

**For**

- **Warranty Duration;**
- **Warranty Coverage and Exclusions;**
- **Warranty Terms of Coverage; and,**
- **Warranty Claim Procedures**

Refer to publication  
052580-111 "Carefree Major Product Limited Warranty"  
available online at  
[www.carefreeofcolorado.com](http://www.carefreeofcolorado.com)

*Register your Carefree products on-line at [www.carefreeofcolorado.com](http://www.carefreeofcolorado.com)*

