



SnowDogg[®] SKTE Series



OWNER'S MANUAL

⚠ WARNING

Make sure plow is properly attached before moving vehicle.

⚠ WARNING

Do not move plow while servicing or place body parts between or under plow parts while moving plow.

⚠ WARNING

DO NOT change blade position when traveling.

⚠ WARNING

DO NOT exceed 40 mph when transporting plow.

⚠ WARNING

Do not exceed 10 mph when plowing.

⚠ WARNING

Always lower blade when vehicle is not in use.

⚠ WARNING

Read this manual carefully before operating this snowplow.

WELCOME!

Congratulations on your purchase of a SnowDogg plow! The SnowDogg plow by Buyers Products is a heavy-duty, professional grade plow built for your toughest plowing applications. By using this manual for maintenance and safety instructions, you can be sure to optimize the life of your plow.

Your dealer can provide expert assistance and service and is the first line of support. They have first hand knowledge of your plow and the conditions in your area.

Be sure to register your plow after purchase at www.snowdoggplows.com. The required information is shown on the Registration Data Sheet. Registration is required to activate your two year warranty.

REGISTRATION DATA SHEET
Owner's Information

Name: _____

Company: _____

Address: _____

Phone: _____

Fax: _____

E-mail: _____

Purchased From: _____

Purchase Date: _____

Plow Model: _____

Plow Serial#: _____

HPU Serial #: _____

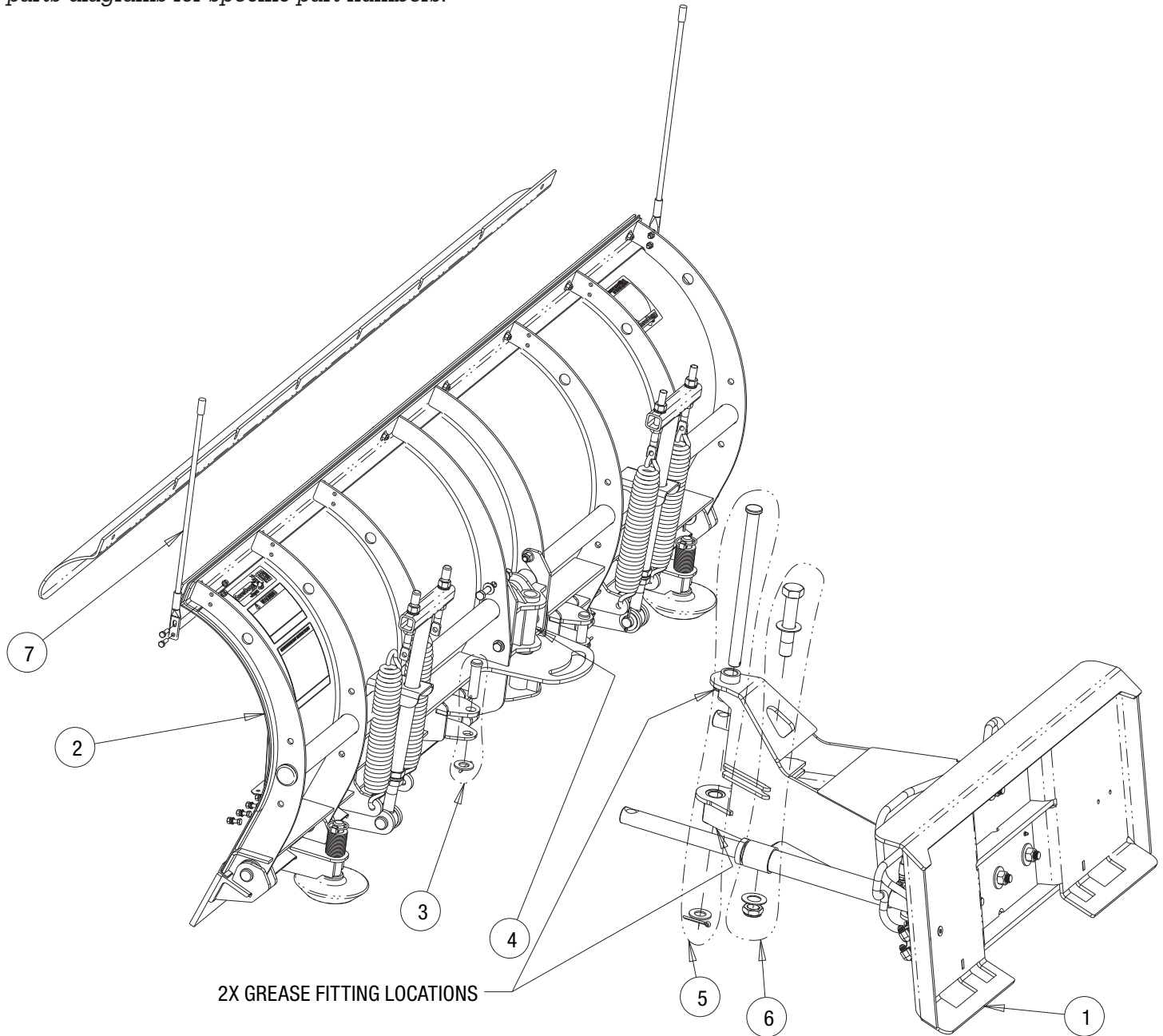
Truck Model: _____

Truck Year: _____

Register your plow at www.snowdoggplows.com to activate your two year warranty.

INSTALLATION

SnowDogg snowplows are shipped almost completely assembled to minimize the amount of time from box to plowing. The illustrations are representative only and may differ from your hardware. Please see the parts diagrams for specific part numbers.



ITEM	QTY.	PART NO.	DESCRIPTION
1	1	16016000	SKID STEER MOUNT
2	1	16020310	TE75 MOLDBOARD W/DEFLECTOR
2	1	16020320	TE80 MOLDBOARD W/DEFLECTOR
2	1	16020340	TE95 MOLDBOARD W/DEFLECTOR
3	2	16102142	CLEVIS PIN KIT, 7/8X3-1/4
4	1	16111320	MOLDBOARD BRACE, SKTE W/HDW
5	1	16101180	HINGE PIN KIT, SK
6	1	16101140	Angle Stop Bolt Kit
7	1	16122100	Blade Guide Kit

Snowplow Assembly

- 1.** Loosely position Moldboard Brace (4) into Moldboard (2). Do not secure at this time.
- 2.** Assemble Skid Steer Mount A-Frame (1) to Moldboard (2) with Angle Stop Bolt kit (6).
- 3.** Insert Hinge Pin (5) through Moldboard, Moldboard Brace (4), and Skid Steer Mount. Verify that the moldboard rotates freely. Grease Hinge Pin prior to assembly.
- 4.** Mount Moldboard Brace to Moldboard using hardware provided.
 - A.** If holes for Skid Steer Brace are not present, mark and drill holes as required. Leave a 1/16" gap between top of the A-frame pivot and bottom of Moldboard Brace pivot.
- 5.** Attach the Angle Cylinders to the Moldboard using the Clevis Pin Kits (3).
- 6.** Install the snow deflector by loosening the fasteners at the top of the moldboard kin. The deflector fits between the black painted retainer strip and the stainless steel skin. Only the outer two fasteners need to be completely removed to install the deflector.
- 7.** Install the Blade Guides (7) using the provided hardware.
- 8.** Grease the Hinge Pin using the 45 degree grease fittings prior to first use.
- 9.** Attach the appropriate couplers to the hoses and connect to skid steer hydraulics.
- 10.** It may be necessary to bleed air from the cylinders to ensure correct operation.

STORAGE

1. Disconnect the plow from your vehicle
2. Repair/touch up any chipped paint or rusted areas
3. Apply a coat of oil or grease to all exposed chrome
4. Grease all grease fittings

REMOVAL FROM STORAGE

1. Check all fasteners and hydraulic fittings for tightness.
2. Replace any cracked hydraulic hoses
3. Connect plow to vehicle

MAINTENANCE

The SnowDogg line of plows has been simply designed for reliable service. In order to ensure the reliability of your plow, observe the following maintenance items and regularly inspect:

- Fasteners and retaining devices for proper installation and tightness.
- Hydraulic cylinders for damage, pitting or leakage
- Hydraulic hoses for wear, damage or leakage. Replace any damaged hose.
- Cutting edge wear
- Plow shoe wear
- Greasable fittings

PLOWING TIPS

- Know the area you are plowing. Be aware of all hidden obstacles (pipes, drains, berms, etc.)
- Plow with the storm, do not let snow accumulate
- Always lower the plow blade when parking to minimize the risk of the plow dropping and to reduce the load on the truck suspension.
- When transporting the plow – monitor coolant temperature. If the truck is running hot, adjust the plow position to allow additional airflow to the radiator.
- Plowing at high speeds increases the potential for damage to your plow AND your truck

With proper maintenance and care your SnowDogg plow will provide years of trouble free service!

Figure A - Mount and A Frame

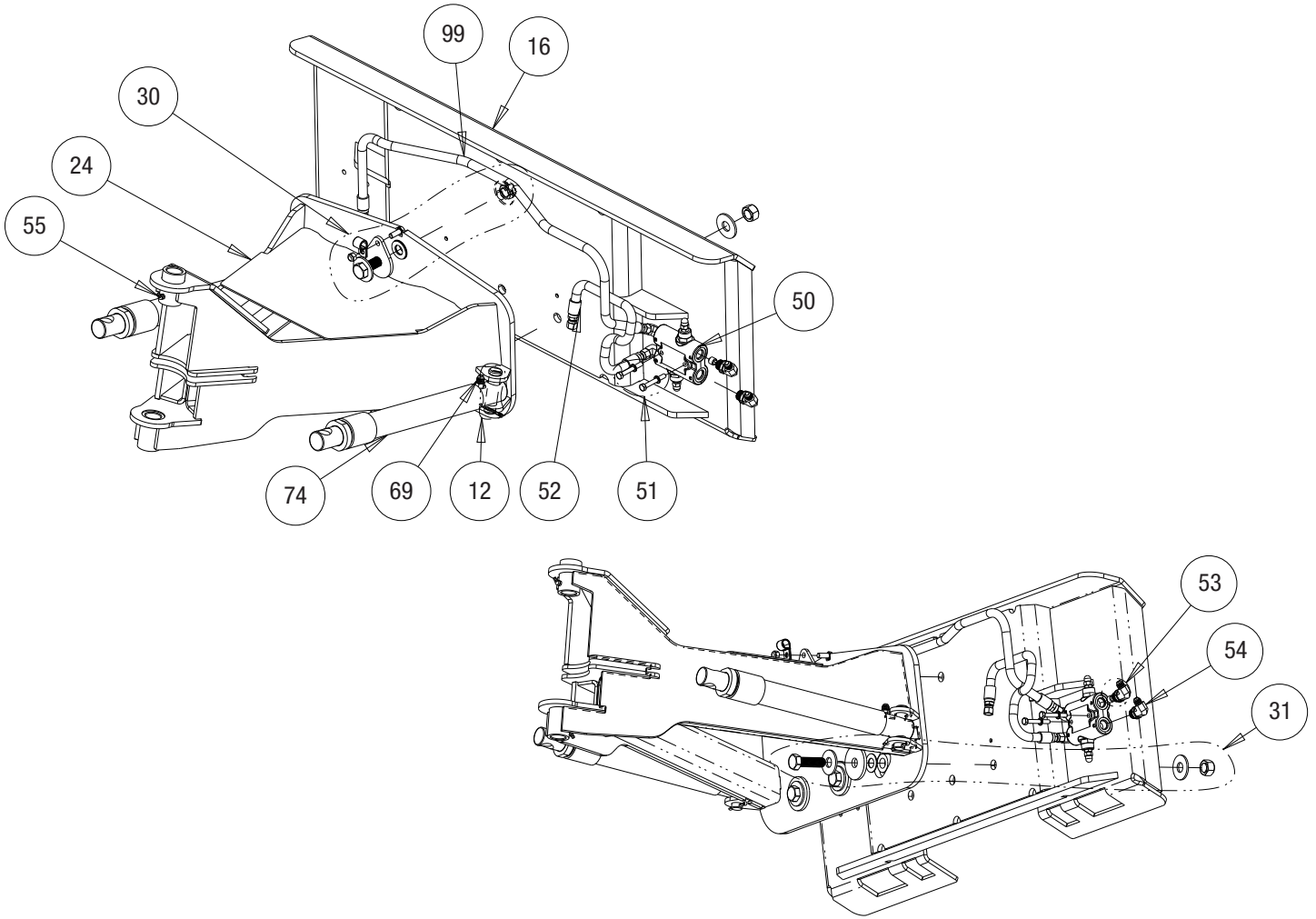


Figure B - Hardware

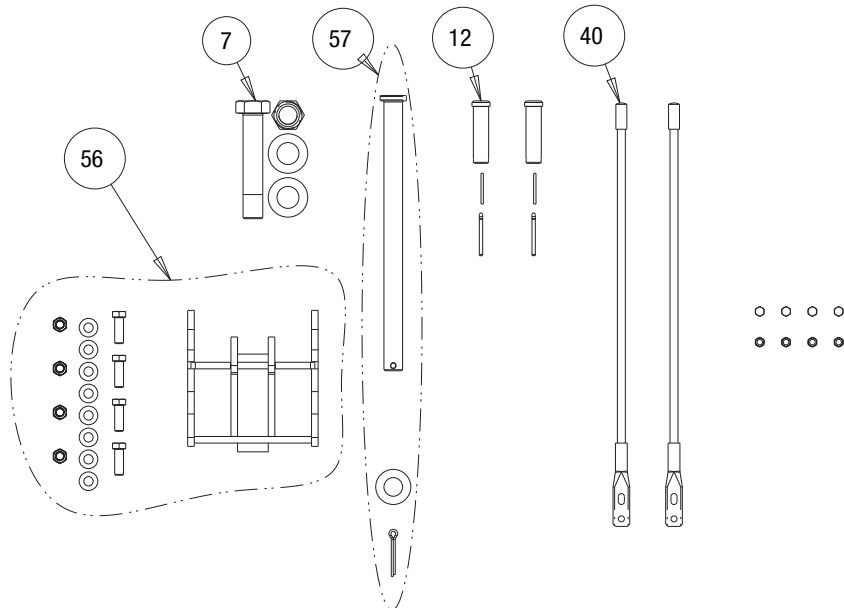
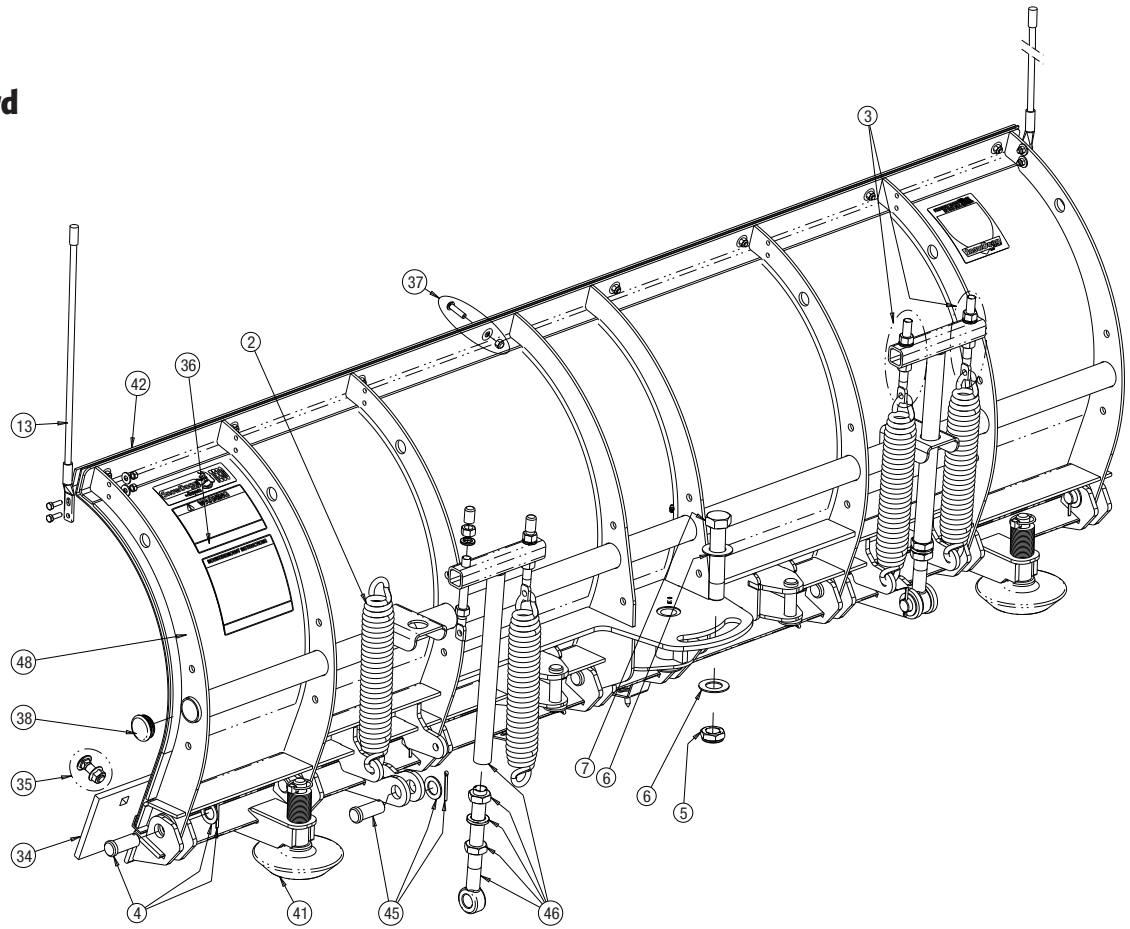


Figure C - Moldboard



Parts List

ITEM	QTY.	FIGURE	PART NO.	DESCRIPTION
12	4	A	16102142	Clevis Pin Kit, 7/8" X 3-1/4"
16	1	A	16110130	Mount Plate, Skid Steer Plow
24	1	A	16115200	A-Frame, SK
30	1	A	16101030	Bolt Kit, Swivel Bolt w/Hose Clamp
31	3	A	16101032	Bolt Kit, A-Frame to Skid Steer Mount
51	1	A	16101034	Mount Kit, Crossover Relief
52	1	A	16153150	Hose, 3/8" x 28"
53	1	A	16152348	Fitting, Elbow, -8 SAE/-8 JIC M/M w/Orifice
54	3	A	H5515X6X8	Fitting, Elbow, -8 SAE/-8 JIC M/M
55	2	A	450	Grease Fitting, 1/4-28, 45 degree
69	2	A	16151324	Fitting, -6 SAEM/-6 JICM
74	2	A	16154100	Cylinder, Angle (1-1/2"x12")
	2	A	16153160	Hose, 3/8" x 60", -6 JIC/1/2" NPT MM
7	1	B	16101140	Bolt, Angle Stop, HD/EX/TE
12	2	B	16102142	Clevis Pin Kit, 7/8" X 3-1/4"
40	1	B	16122100	Blade Guide Assembly (pr)
56	1	B	16111320	Moldboard Brace, SKTE w/hdw
57	1	B	16101180	Hinge Pin Kit, Skid Steer Plow
2	4	C	16101200	Spring, Trip
3	1	C	16101210	Spring Mount Eye Bolt Kit (set of 4)
4	10	C	16102144	Clevis Pin Kit, Trip Angle
5	1	C	16101122	Nut, Pivot/Angle Stop Bolt
6	2	C	16101124	Washer, Pivot/Angle Stop Bolt, HD/EX/TE/CM
13	1	C	16122100	Blade Guide Assembly (pr)
34	1	C	16120520	Cutting Edge, 90"x3/8"
34	1	C	16120530	Cutting Edge, 96"x3/8"
34	1	C	16120610	Cutting Edge, 90"x1/2"
34	1	C	16120620	Cutting Edge, 96"x1/2"
34	1	C	16120640	Cutting Edge, 108"x1/2"

ITEM	QTY.	FIGURE	PART NO.	DESCRIPTION
34	1	C	16120710	Cutting Edge, Rubber, 90"x1.5"x8"
34	1	C	16120720	Cutting Edge, Rubber, 96"x1.5"x8"
34	1	C	16120740	Cutting Edge, Rubber, 108"x1.5"x8.0"
35	1	C	16120114	Cutting Edge Fastener Kit (set of 10)
36	1	C	16121612	Skin, TE75, SST
36	1	C	16121614	Skin, TE80, SST
36	1	C	16121618	Skin, TE90, SST
37	1	C	16120110	Skin Fastener Kit (set of 10)
38	2	C	16120120	Cap, Crosstube
39	1	C	16120156	Deflector, Poly, 90in
39	1	C	16120157	Deflector, Rubber, 90in
39	1	C	16120158	Deflector, Poly, 96in
39	1	C	16120159	Deflector, Rubber, 96in
39	1	C	16120162	Deflector, Poly, 108in
39	1	C	16120163	Deflector, Rubber, 108in
41	2	C	16121100	Shoe Assembly, Heavy Duty
41		C	16121120	Shoe, Washer (1/8")
41	2	C	16121140	Shoe, Linch Pin
42	1	C	16120256	Clamp Strip, 90in
42	1	C	16120258	Clamp Strip, 96in
42	1	C	16120262	Clamp Strip, 108in
46	1	C	16120190	T-Bar Kit
47	1	C	16122304	Trip Angle Weldment, TE75
47	1	C	16122306	Trip Angle Weldment, TE80
47	1	C	16122312	Trip Angle Weldment, TE90
48	1	C	16122300	Moldboard Weldment, TE75
48	1	C	16122302	Moldboard Weldment, TE80
48	1	C	16122310	Moldboard Weldment, TE90

Limited Warranty

.....

COVERAGE

Buyers Products Company warrants to the original purchaser of a Buyers Products SnowDogg® brand snowplow that they will be free from defects in materials and workmanship for a period of two (2) years after the date of original purchase. Buyers Products warrants accessories, service parts, and components purchased separately to be free of defects in materials and workmanship for a period of one (1) year after date of original purchase.

These warranties are exclusive and in lieu of all other express and, except to the extent prohibited by applicable law, all implied warranties, including but not limited to the implied warranties or merchantability and fitness for a particular purpose, are limited in duration to the duration of this warranty.

Buyers Product's Liability is expressly limited to repair or replacement of defective parts. Buyers Products shall not be liable for consequential, incidental or contingent damages whatsoever, even if damages are caused by the negligence or fault of Buyers Products.

This warranty gives you specific legal rights. Additional purchaser's rights may vary from state to state.

WHAT IS NOT COVERED

The warranty does not apply to:

- ...parts not furnished by Buyers Products or damage resulting from same.
- ...parts modified without authorization or damage resulting from same.
- ...expendable parts (cutting edges, fluids, etc.).
- ...damage resulting from failure to install, maintain or operate the product per the owner's manual, installation instructions, or application guides.
- ...damage to vehicle and/or frame of vehicle resulting from plow attachment.

WARRANTY PROCEDURE

If any part is proven to be defective within that warranty period, Buyers Products will, at its sole discretion, repair or replace said part at its expense FOB Cleveland, OH. Labor will be credited to authorized dealers as determined by published rate charts.

Buyers Products obligation shall be limited to such repair or replacement and shall be further contingent on Buyers Products receiving written notice of the alleged defect and proof of original purchase within ten (10) days of its discovery as well as the return of the allegedly defective part to Buyers Products.

To obtain service, the purchaser must return the defective snowplow to an authorized SnowDogg Dealer with proof of purchase and applicable maintenance records. All transportation costs to and from the dealer will be the responsibility of the purchaser. SnowDogg dealers may be located on-line at www.snowdoggplows.com.

Buyers Products
9049 Tyler Blvd.
Mentor, OH 44060

Contact Your Dealer for Service and Technical Support