



**RV**

- ◆ *Made of durable, lightweight polyester & vinyl material - the same material used for tents.*
- ◆ *No drilling required.*



*The BUENA VISTA IS AVAILABLE TO fit on the following Carefree awnings:*

**Box Awnings**

- ◆ *Freedom WM*      ◆ *Freedom RM*      ◆ *Campout*  
*3meter, 3.5meter, 4meter, 4.5meter and 5 meter*

**Vertical Arm Awnings**

**Manual Awnings:**

- ◆ *Spirit - Fiesta - Simplicity*
- ◆ *Pioneer*
- ◆ *Pioneer Lite*

**Motorized Awnings:**

- ◆ *Travel'r Adjustable Pitch*
- ◆ *Eclipse*

*10' – 21' in 1 foot increments*

The Buena Vista will fit most competitive brands w/ 8 foot extension. (Does not include Zip Dee awnings.)

## INTRODUCTION

From its beginning in the early 70's, Carefree of Colorado has emerged as the premier manufacturer of quality awnings and accessories for Recreational Vehicles (RVs). Our full line of products can provide the accessories that match your life style; no matter what type of RV you own.

Check with your dealer to discover the products that can make your life more Carefree.

---

### TABLE OF CONTENTS

<b>Introduction</b> .....	<b>2</b>
<b>First Time Preparation</b> .....	<b>4</b>
Campout Rafter .....	4
Freedom Wall Mount Rafter .....	4
Freedom Roof Mount Rafter .....	5
Vertical Arm Rafter .....	5
<b>Room Setup</b> .....	<b>6</b>
The Front Panels .....	6
Installing the Front Panels on Box Awnings .....	6
Installing the Front Panels on Vertical Arm Awnings .....	7
Mounting the Side Panels .....	8
Stake the Room .....	10
Sealing Along the Vehicle Wall .....	10
The Strap Hook .....	11
<b>Attaching the Skirt</b> .....	<b>12</b>
Crossing the Entry Step .....	12
<b>Storing the Room</b> .....	<b>14</b>
<b>Room Care</b> .....	<b>15</b>
Fabric Care .....	15
Mildew .....	15
<b>Carefree Major Product Limited Warranty</b> .....	<b>16</b>

---

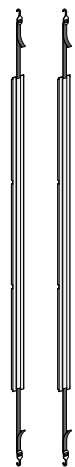
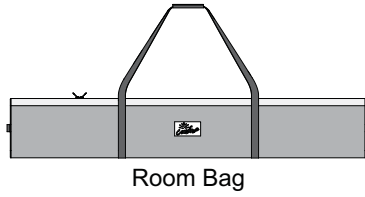
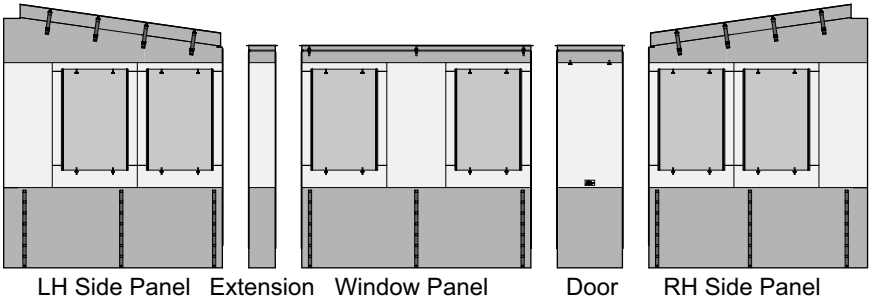
## WARNINGS

- ⚠ DIRECT RESPONSE SYSTEMS:** FOR VERTICAL ARM AWNINGS WITH THE DIRECT RESPONSE AUTO-RETRACT, THE AUTO-RETRACT FEATURE MUST BE SHUT OFF. IF THE AWNING AUTO-RETRACTS, DAMAGE TO THE AWNING, ROOM AND VEHICLE CAN OCCUR AS WELL AS PERSONAL INJURY. REFER TO THE AWNING OWNER'S MANUAL FOR INSTRUCTIONS.
  - ⚠ KEEP ALL SOURCES OF HEAT AND FLAME AWAY FROM THE ROOM. FABRIC IS NOT FIREPROOF AND CAN BURN IF LEFT IN CONTACT WITH ANY FLAME OR HEAT SOURCE.**
  - ⚠ NEVER USE ANY GAS-POWERED DEVICES INSIDE THE ROOM. GAS-POWERED DEVICES CONSUME OXYGEN AND PRODUCE CARBON MONOXIDE THAT IS POISONOUS AND HAS NO ODOR.**
  - ⚠ SKIRTING MUST NOT INTERFERE WITH LP APPLIANCE OR EXHAUST VENTS. DO NOT START OR OPERATE THE ENGINE OR GENERATORS IF THE EXHAUST COMPONENTS ARE LOCATED BEHIND THE SKIRTING.**
- 

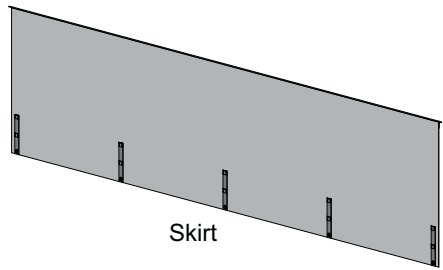
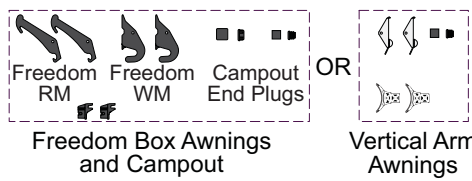
**⚠ CAUTION:** If so equipped, the automatic entry step operation must be disabled when installing and/or using the skirting.

---

COMPONENT IDENTIFICATION



Rafter End Condition Kits

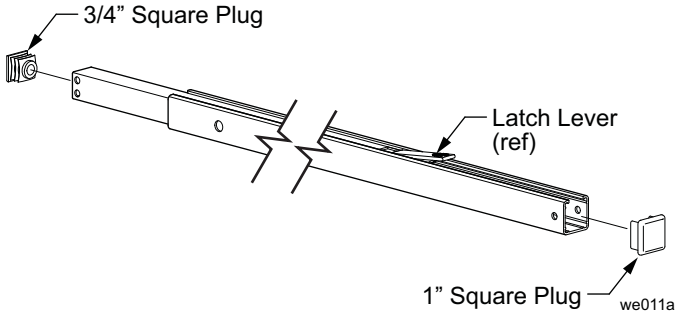


we029

## FIRST TIME PREPARATION

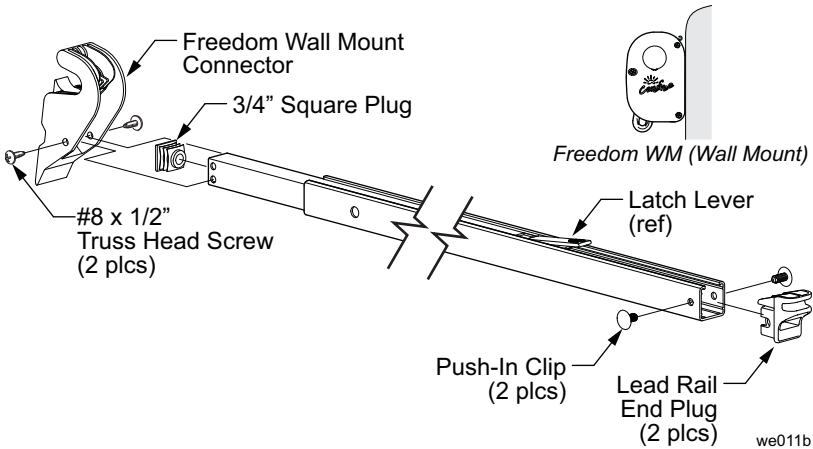
The room rafter is shipped with various end fittings to match the awning that is used. It is necessary before setting up the room to attach the correct fittings on the rafters.

### CAMPOUT RAFTER



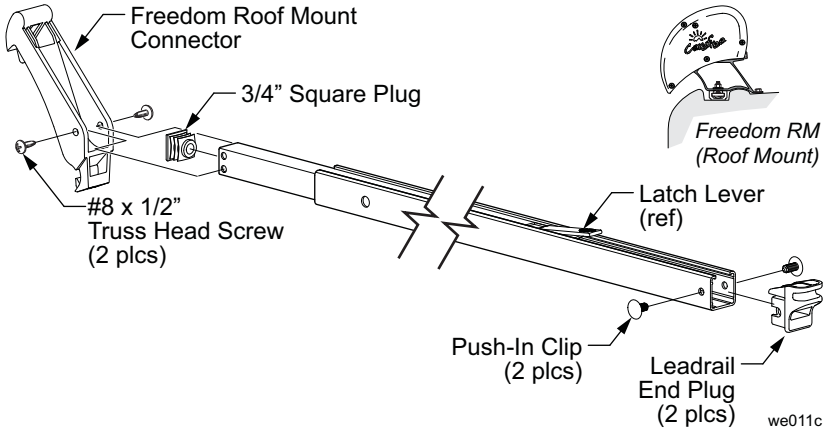
1. Locate the 3/4" square plug and press fit into the small channel.
2. Locate the 1" square plug and press fit into the larger channel.
3. Repeat steps 1 & 2 for the second rafter.

### FREEDOM WALL MOUNT RAFTER



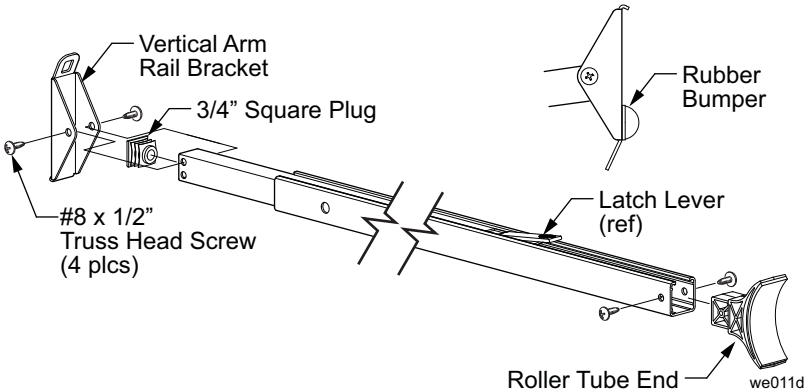
1. Locate the 3/4" square plug and press fit into the small channel.
2. Locate the Freedom Wall Mount case connector, slide it over the small channel and plug. Note the orientation as shown.
3. Attach the connector using two (2) #8 x 1/2" truss head screws through the connector and bottom holes of the small channel. Do not overtighten.
4. Insert the leadrail end plug into the large channel. Note the orientation as shown.
5. Attach the end plug by pressing the push-in clips through the channel and into the end plug.
6. Repeat for the second rafter.

*FREEDOM ROOF MOUNT RAFTER*



1. Locate the 3/4" square plug and press fit into the small channel.
2. Locate the Freedom Roof Mount case connector (marked with "RM"), slide it over the small channel and plug. Note the orientation as shown.
3. Attach the connector using two (2) #8 x 1/2" truss head screws through the connector and bottom holes of the small channel. Do not over tighten.
4. Insert the leadrail end plug into the large channel. Note the orientation as shown.
5. Attach the end plug by pressing the push-in clips through the channel and into the end plug.
6. Repeat for the second rafter.

*VERTICAL ARM RAFTER*

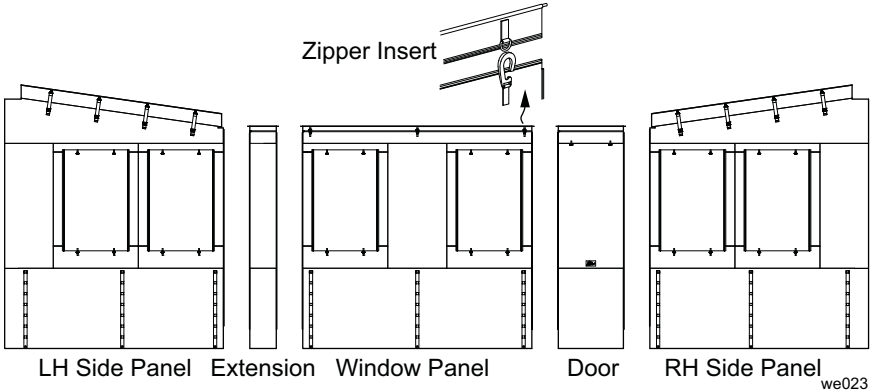


1. Locate the 3/4" square plug and press fit into the small channel.
2. Locate the vertical arm rail bracket and slide it over the small channel and plug. Note the orientation as shown.
3. Attach the bracket using two (2) #8 x 1/2" truss head screws. Do not over tighten.
4. Insert the roller tube end into the large channel. Note the orientation as shown. Attach using two (2) #8 x 1/2" truss head screws. Do not over tighten.
5. Repeat for the second rafter.

## ROOM SETUP

### THE FRONT PANELS

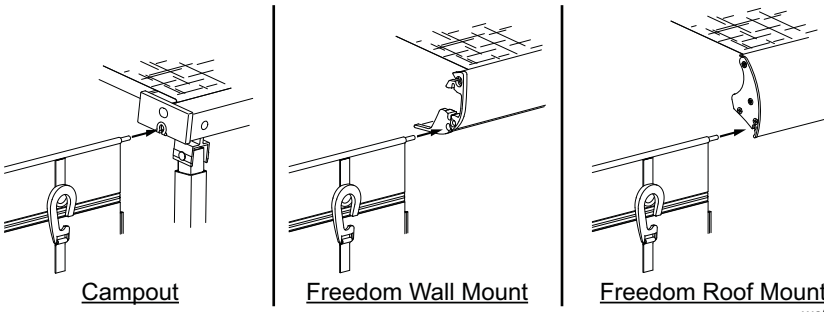
The front panel consists of a window panel, door panel and extension panel. These panels can be arranged with the door on the right or the left. The extension panel is included to fit the larger size of the fitting range (i.e. 13' for a 12'to13' room size) and can be placed on either end or in-between the door and window.



The front panel sections include a removable top piece called the zipper insert. For convenience, the zipper insert can be removed and slid into the lead rail or roller tube. Then the panel can be lifted and zipped to the insert.

On the Campout and vertical arm awnings that do not use a pull strap, the zipper insert can be left in the roller tube and rolled up with the awning.

### INSTALLING THE FRONT PANELS ON BOX AWNINGS



1. Extend the awning out according to the manufacturer's instructions. If the awning has vertical support legs, set the legs in the vertical (carport) position.

**NOTE:** For the Freedom Wall Mount, leave one leg stored until the front panel has been installed. This is to allow access to the slot in the lead rail.

*Tip: Before installing the front panels, clean the slot in the lead rail and lightly spray the inside of the slot with a dry silicone lubricant. This will aid with sliding the panels into the slot.*

2. Slide the front panel sections into the slot of the lead rail. The clear plastic window goes to the outside, as does the logo on the door.

*Tip: For ease of handling, unzip the panels and slide one panel at a time.*

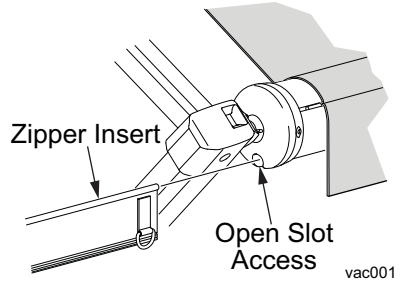
3. Zip the front panels together and center in the lead rail.
4. If not previously done, extend and set both of the vertical support legs in the carport (vertical) position.
5. Go to "Mounting the Side Panels" on page 8

INSTALLING THE FRONT PANELS ON VERTICAL ARM AWNINGS

**Manual Awnings - Start Here**

Start here for Carefree manual awnings and A&E awnings.

1. Extend the awning out according to the manufacturer's instructions. Ensure that the open roller tube slot and slot access is down and accessible on the idler (LH) side of the awning.
2. If necessary, clean and deburr the slot and slot access.
3. *For awnings with a pull strap*, slide the pull strap down to the opposite end of the roller tube.



4. Unfold the front panels. Remove the zipper inserts from the top of the panels.
5. Slide the zipper insert into the open slot of the roller tube. Ensure that the rings are facing out away from the vehicle as shown.
6. If the awning was over extended to access the slot, follow the manufacturer's instructions and retract the awning to the normal extended position.
7. Go to "Hanging the Front Panels" on page 8

**Motorized Awnings - Start Here**

1. Extend the awning out according to the manufacturer's instructions.

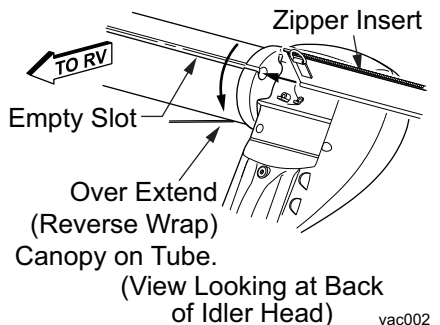
For Travel'r awnings and Eclipse awnings without Auto Retract:

- Hold the EXTEND switch until the empty slot of the tube aligns with the slot on the back of the idler (LH) head.

For Eclipse with Auto Retract:

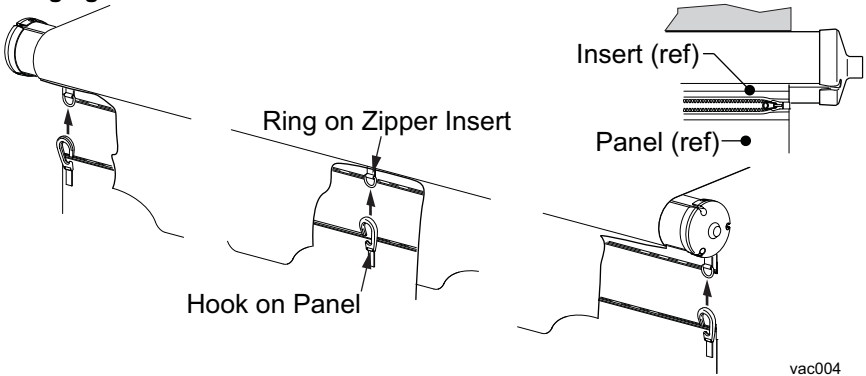
- After extending the awning, press and release the retract button. Stop the awning when the roller tube makes approximately 1/2 turn or less.
- Hold the EXTEND switch until the empty slot of the tube aligns with the slot on the back of the idler (LH) head.

2. Unfold the front panels. Remove the zipper inserts from the top of the panels.
3. Slide the zipper inserts into the open slot of the roller tube. Ensure that the rings are facing toward the vehicle as shown.
4. Using the retract switch, roll the awning up to the normal extended position. Note: When the insert is hanging down, the rings will face out away from the vehicle.



5. Go to "Hanging the Front Panels" on page 8

**Hanging the Front Panels**



Lift the individual panels up and zip to the zipper insert.

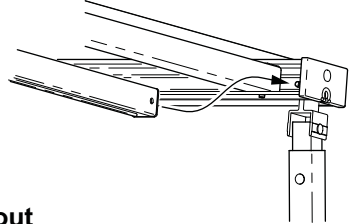
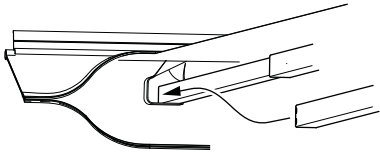
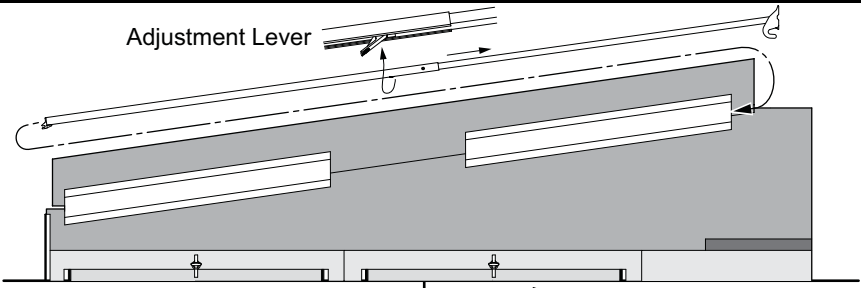
For the larger window panel, use the hooks and rings to hold the panel in place while zipping the panels.

***MOUNTING THE SIDE PANELS***

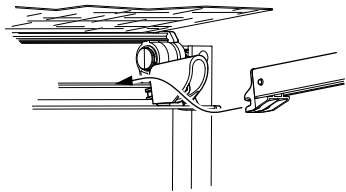
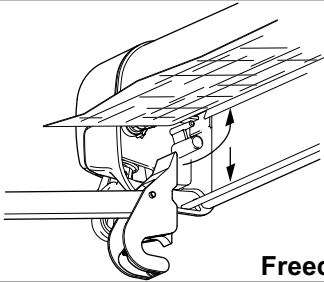
1. Open the adjustment lever on the room rafter and extend the rafter.
2. Slide the rafter into the inside pockets of the side panel as shown. Note the orientation of the connectors. For the campout, the large end goes to the front.
3. *For the Campout awning:*
  - 3.1. Lift the rear end of the rafter and insert into the same loop used by the awning rafter.
  - 3.2. Lift the front of the rafter up. Slide the end of the rafter into the leadrail next to the awning rafter.
4. *For Freedom awnings:*
  - 4.1. Lift the rear end of the rafter and hook into the awning case. The rafter end slides up into the case extrusion and then down to lock into place.
  - 4.2. Lift the front of the rafter up. Slide the end of the rafter over the protrusion in the lead rail.
5. *For Vertical Arm awnings:*
  - 5.1. Lift the rear end of the rafter and hook the bracket into the awning rail beneath the awning fabric.
  - 5.2. Lift the front of the rafter up. Extend the rafter until the roller tube end cups over the roller tube.
6. Extend the rafter for a snug fit then lock the lever.
7. Repeat for the other side.
8. *For box awnings:* Adjust the awning's vertical support legs until the side panels hang straight.
9. *For vertical arm awnings:* Adjust the pitch until the side panels hang straight.



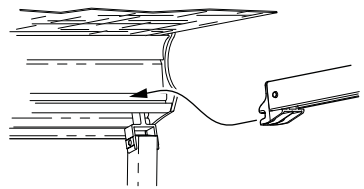
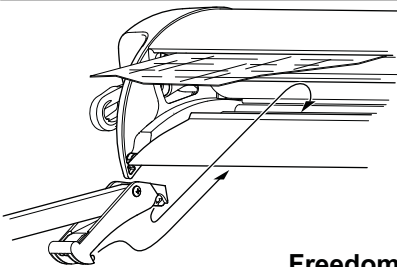
Adjustment Lever



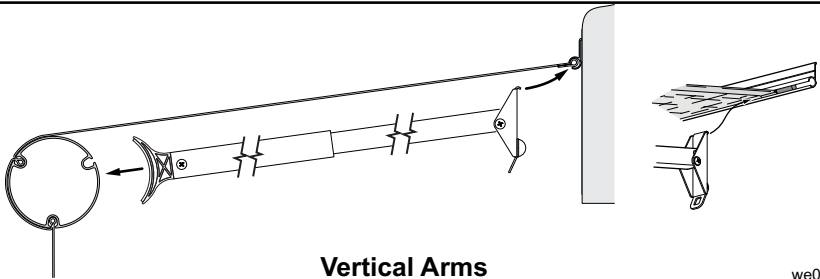
**Campout**



**Freedom Wall Mount**



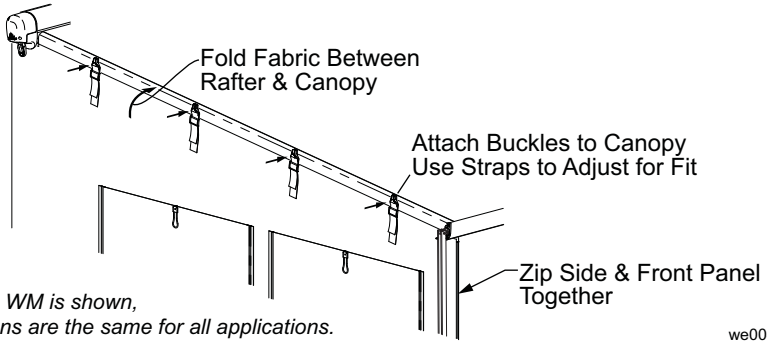
**Freedom Roof Mount**



**Vertical Arms**

we002

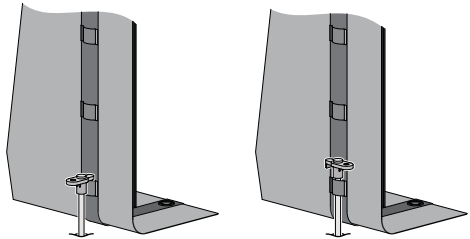
## STAKE THE ROOM



we004

1. Zip the front and side panels together.
2. At the top of the side panels fold the fabric between the rafter and the canopy.
3. Attach the clamps to the canopy. Adjust the straps for a snug fit.
4. At the bottom, fold the room panels inside or outside.
5. Starting at the back of the room, place a stake through the tie down loop and drive the stake into the ground.

**NOTE:** There are two methods for the stake to grab the loop. For short stays, use the hook of the stake to hold the loops or for longer stays or if expecting winds, place the stake through the loop.



6. Pull the panels straight and stake the front corners.
7. Stake the center tie down loops.

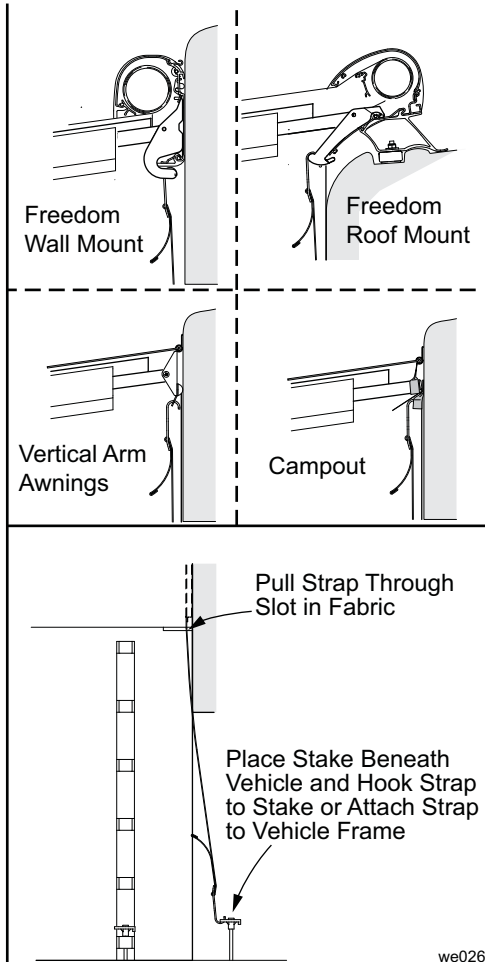
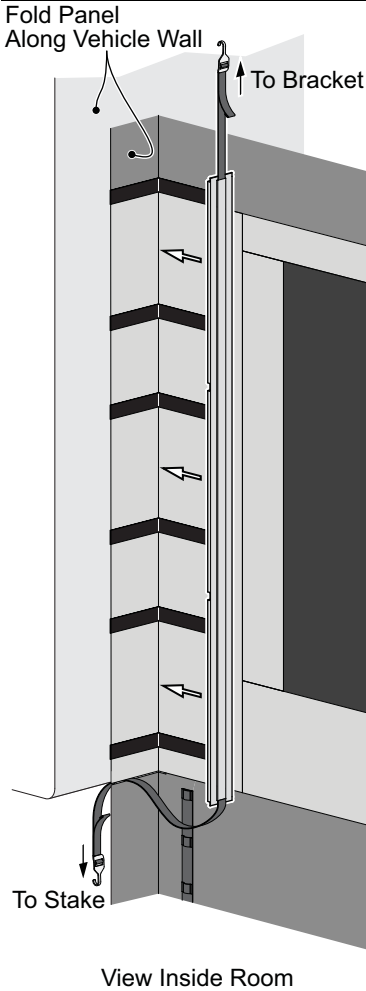
## SEALING ALONG THE VEHICLE WALL

1. On the inside of the room fold the side wall along the vehicle wall.
2. Lift the seal assembly up and press into the corner of the folded fabric. The velcro<sup>1</sup> of the seal will attach to the velcro on the room side wall.

*Tip: Fold the seal into thirds with the velcro out. Place the top third on the room wall then fold down the 2<sup>nd</sup> third and place against the wall. Unfold and place the last third.*

3. **Campout:** At the top, hook the strap hook into the loop on the back of the bag.
4. **Freedom:** Hook the strap hook into the rafter connector.
5. **Vertical Arm Awnings:** Hook the strap hook into the rail bracket.
6. Drive a stake slightly under the vehicle then hook the bottom strap hook to the stake. or Hook the strap to the vehicle frame. Tighten the strap as required.
7. To tighten or loosen the strap hook refer to "The Strap Hook" on page 11.

<sup>1</sup> VELCRO® is the registered trade name of Velcro Industries. The term "velcro" is used to generically describe the fabric hook and loop fasteners used with the product.



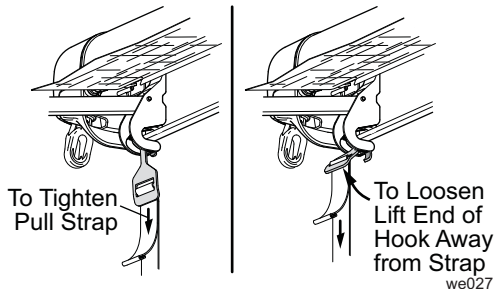
### THE STRAP HOOK

The strap hook is an easy to use means of attaching, tightening and loosening the web straps used for the seals.

Keep the strap flat and straight.

*To Tighten:* Pull the open end of the strap away from the hook and release.

*To Loosen:* Lift the end of the hook away from the strap.

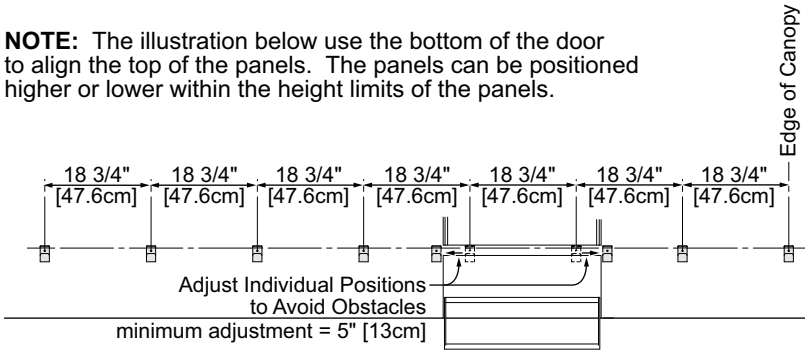


## ATTACHING THE SKIRT

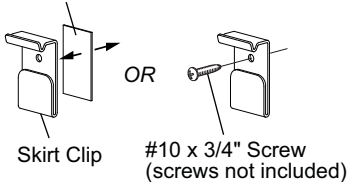
The skirt panels attach to the vehicle using the skirt clips. The clips can be attached to the vehicle wall by two different methods.

**NOTE:** Some vehicles may be equipped with an awning rail mounted for the skirting. Simply slide the fabric with the polyrod at top into the rail and proceed to "Crossing the Entry Step" on page 12.

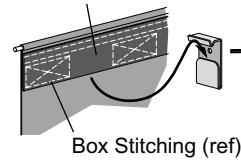
**NOTE:** The illustration below use the bottom of the door to align the top of the panels. The panels can be positioned higher or lower within the height limits of the panels.



Double Sided Tape



Webbing on Back of Skirt Panel



Webbing on Back of Skirt Panel

we028

1. For first time installations, thoroughly clean the vehicle wall where the panels are to be placed. Remove all grease, dirt and wax from the area<sup>2</sup>.
2. Using a non-permanent marker, mark the desired height of the skirt.
3. On one end of the skirt and place a clip into the webbing on the back of the skirt.
  - a. Remove the release paper from the tape on the back of the bracket and firmly press the bracket into position in-line with the edge of the canopy and the marks made in step 2.
  - b. Repeat down the length of the skirt.
  - c. Adjust the position of the clip in the webbing to avoid openings and obstacles on the vehicle wall.
  - d. As an alternate method of attaching the clips, Hold the clip in position and attach using one (1) #10 x 3/4" pan head screw. Screws are furnished by the individual installer and not included with room.

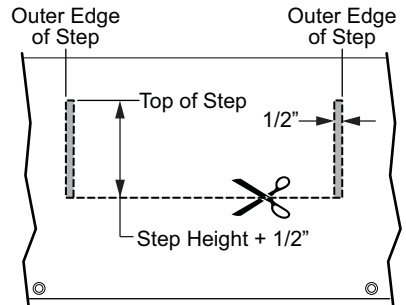
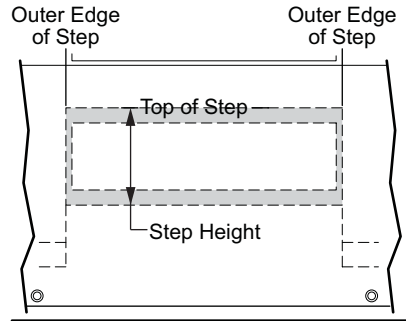
**NOTE:** The vinyl panel is a generic length that may be longer than your room. You may find it desirable to mark and trim any excess material that extends past the room. Be sure to trim after the box stitching so that the corners of the skirt can be attached.

<sup>2</sup> To remove wax, it is necessary to use a pre-wax cleaner or polisher. These are commercially available at automotive supply stores.

## CROSSING THE ENTRY STEP

If the panel goes across the entry step:

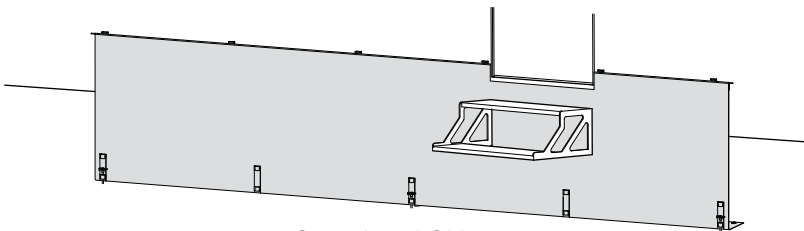
1. With the panel attached to the RV wall, carefully mark the location of the top, side edges of the step.
2. Remove the skirt from the RV and lay on a flat clean surface.
3. Measure the height of the step.
4. On the skirt, measure and cut a 1/2" slot from the marks made in step 1. the slot should be the height of the step + 1/2"
5. Draw and cut a straight line between the bottoms of the slots. This creates a flap in the fabric.
6. Slide the skirting over the step and tuck the flap behind the stair tread. Attach the skirting to the skirt clips.
7. After hanging the skirting, fold any excess material under the vehicle and stake as desired.



we005

## CROSSING THE DOOR

If the skirting is mounted at the floor line or raised to avoid obstacles may cross over the door. Simple mark the sides of the door and trim the material vertically on each side. Fold the excess material behind the panel.

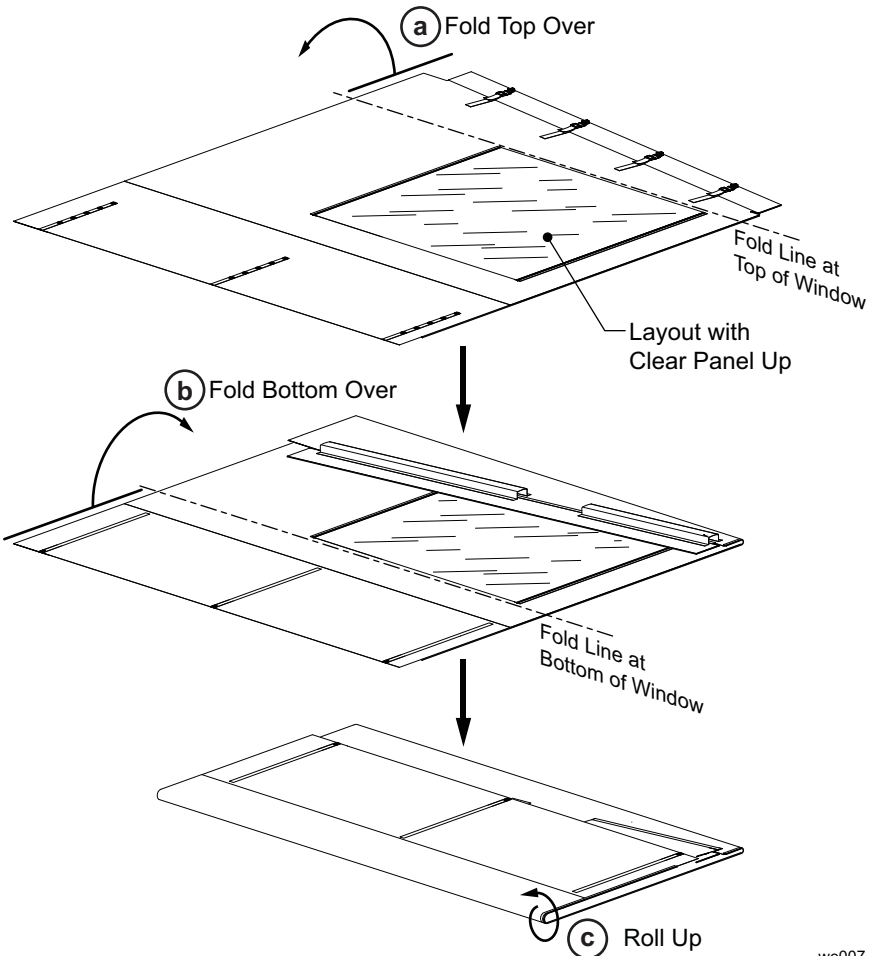


Completed Skirt

we006

## STORING THE ROOM

1. Remove the stakes and store.
2. Unfasten all buckles and clamps.
3. Unzip the front and side panels.
4. Remove the side panels.
5. Remove and store the rafters.
6. Slide the front panel sections out of the lead rail.
7. Lay the panels out flat with the privacy panels down (clear panels up). Fold each of the panels using the method shown and pack in the bag.



we007

---

## ROOM CARE

Maintaining a Carefree Room is easy. Just follow these basic steps:

- Always use the room according to the instructions.
- Keep the awning fabric and arms clean.

### *FABRIC CARE*

#### **CAUTION**

**DO NOT USE OIL BASED CLEANERS OR ANY CAUSTIC, GRANULATED, OR ABRASIVE TYPE CLEANERS ON YOUR CAREFREE PRODUCT.**

1. One of the best ways to keep the fabric looking good and to delay the need for deep or vigorous cleanings is to hose fabrics off on a monthly basis with clear water. This practice will help prevent dirt from becoming deeply imbedded in the fabric. In most environments, a thorough cleaning will be needed every two to three years.
2. When it is time for a thorough cleaning, the fabric can be cleaned while still on the awning frame. Use a soft brush and warm water with soap.
3. When cleaning the fabric, it is important to observe the following:
  - Always use a natural soap, never detergent.
  - Water should be cold to lukewarm, never more than 100°F.
  - Air-dry only. Never apply heat to the fabric.
  - Always allow the fabric to dry thoroughly before storing the room.

#### MILDEW

Mildew is a fungus growth that looks like dirt. Under ordinary conditions, mildew will not appear. However, in areas where high temperature and humidity are common, mildew can be a problem and require the material to be washed more frequently. Thoroughly rinse the fabric with clean water and allow to air dry completely before storing the room.

---

## CAREFREE MAJOR PRODUCT LIMITED WARRANTY

Carefree of Colorado (hereafter referred to as Carefree) warrants to the first retail Purchaser that the Carefree Product is free of defects in material and workmanship within the terms and conditions as set forth in the warranty statement available online at [www.carefreeofcolorado.com](http://www.carefreeofcolorado.com). Carefree's obligation under this warranty is limited to the repair or replacement, at Carefree's option, of any defective component with new or factory refurbished components.

OWNER MUST RETAIN THE ORIGINAL PROOF OF PURCHASE AND/OR HAVE THE PRODUCT WARRANTY REGISTRATION ON FILE AT CAREFREE FOR WARRANTY CLAIMS.

THIS WARRANTY IS NOT TRANSFERABLE.

**For**

- **Warranty Duration;**
- **Warranty Coverage and Exclusions;**
- **Warranty Terms of Coverage; and,**
- **Warranty Claim Procedures**

**Refer to publication**

**052580-111 "Carefree Major Product Limited Warranty"**  
**available online at**

[www.carefreeofcolorado.com](http://www.carefreeofcolorado.com)

**Register your Carefree products on-line at [www.carefreeofcolorado.com](http://www.carefreeofcolorado.com)**

---

*Publications available on-line @ [www.carefreeofcolorado.com](http://www.carefreeofcolorado.com):*

**052578-001**

**Owner's Manual**

