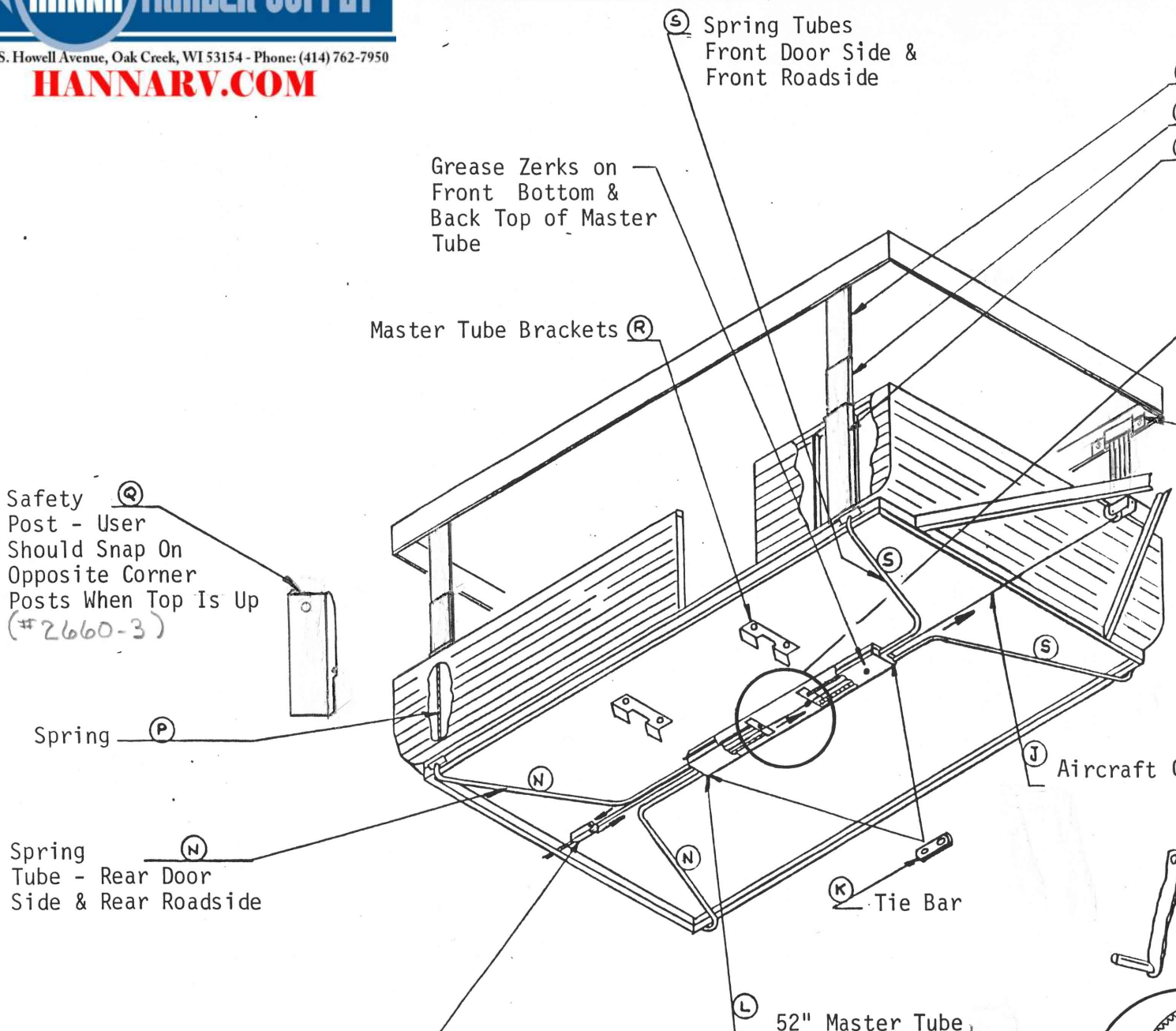
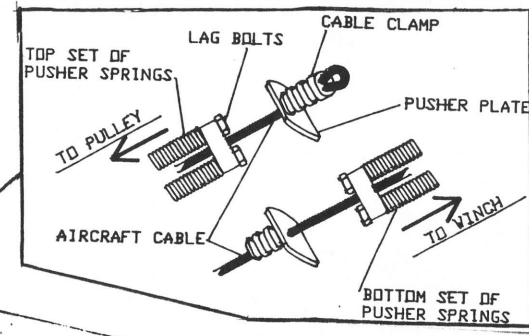


# 2660 SERIES CRANK-UP LIFT SYSTEM

## TELESCOPING POSTS

U.S. PAT. No. 6,206,456

(A)	INNER POST	# 2660-10
(B)	MIDDLE POST	# 2660-11
(C)	OUTER POST	# 2660-12



(D) Roof Bracket PT.# 2660-8 WITH CLEVIS PIN AND BOWTIE LOTTER PIN (1ea.) PER CORNER

Adjustable Pulley (M)  
 Note: To Raise Front Of Roof Adjust Pulley Forward.  
 To Raise Rear Adjust Pulley Back.

