

Installation Instructions

5601025/5601026 25' Booster Cables with Plug-in Connector

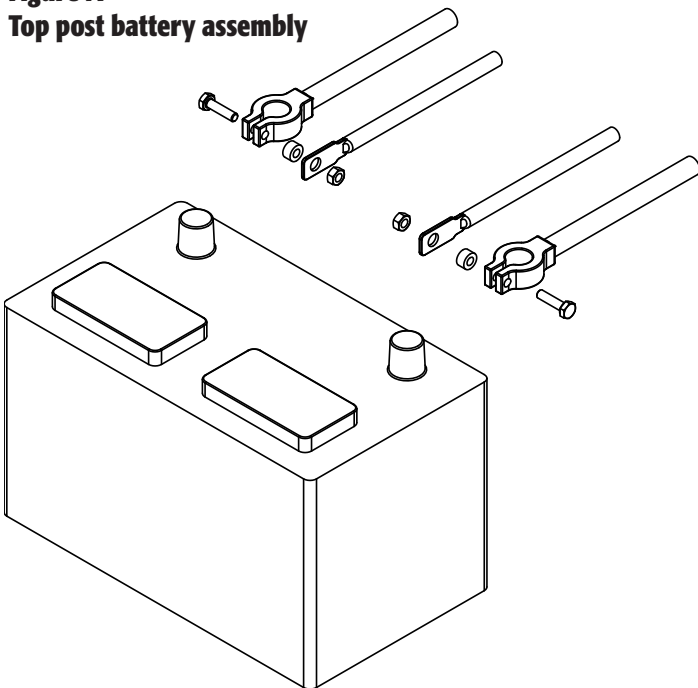
⚠ WARNING

The cables on this product contain lead. The State of California associates lead with the cause of cancer, birth defects, and other medical issues. Keep away from children. Wash hands after each use.

Before Assembling or Connecting Booster Cables

- Review vehicle specific instructions from vehicle owners manual.
- Identify positive (+) and negative (-) terminals on the dead battery.
- Confirm:
 - Both vehicles are NOT touching.
 - Vent caps on both batteries are secure.
 - Both vehicle engines and electrical systems are turned off.
 - Both vehicle transmissions are in Park.
 - Emergency brakes have been applied to both vehicles.
 - Voltage is the same for both vehicles.
 - Both vehicles have a negative ground system.

Figure A
Top post battery assembly



⚠ WARNING

Batteries contain acid and can explode causing injuries.

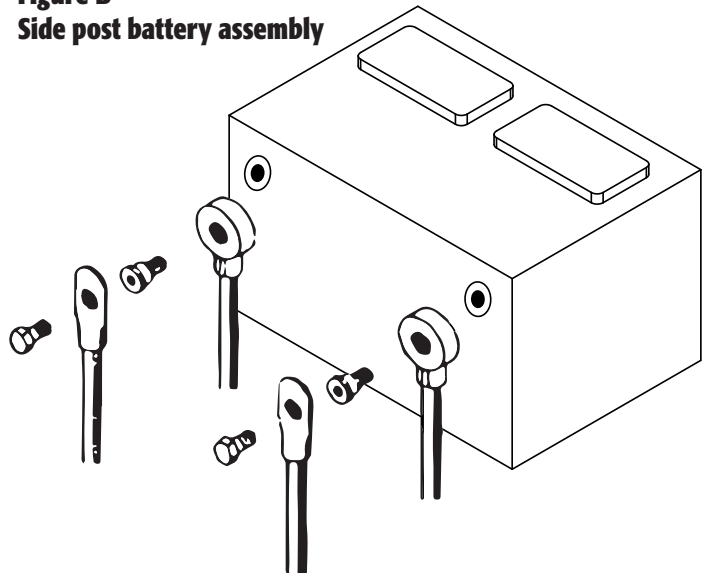
- Wear eye protection at all times.
- Shield face from battery.

Assembling 6' Permanent Cable to Service Vehicle Battery:

Top Post Batteries (See Figure A):

- Route terminal ends between the bumper and grill.
- Loosen, remove, and discard bolts from battery cable terminals.
- Replace with included bolt, permanent cable, and nut as shown. An additional spacer nut may be needed in some applications (not included). This will be inserted between the permanent cable and cable terminal.
- Connect Positive (+) permanent cable with Positive (+) cable terminal and attach to Positive (+) battery post. Polarity can be verified by looking at the plastic "quick connect".
- Connect Negative (-) permanent cable with Negative (-) cable terminal and attach to Negative (-) battery terminal. Polarity can be verified by looking at the plastic "quick connect".

Figure B
Side post battery assembly



5601025/5601026 25' Booster Cables with Plug-in Connector (cont.)

Side Post Batteries (See Figure B):

- Route terminal ends between the bumper and grill.
- Loosen, remove, and discard bolts from battery cable terminals.
- Separate screw-in portion of side terminal bolt (included).
- Reconnect positive (+) cable terminal to positive (+) battery post using side terminal bolt.
- Reconnect negative (-) cable terminal to negative (-) battery post using side terminal bolt.
- Connect positive (+) permanent cable to positive (+) cable terminal using screw-in side terminal bolt. Polarity can be verified by looking at the plastic "quick connect".
- Connect negative (-) permanent cable to negative (-) cable terminal using screw-in side terminal bolt. Polarity can be verified by looking at the plastic "quick connect".



Connecting Booster Cable from Service Vehicle to Dead Battery

- Attach booster cables to the service vehicle by sliding "quick connects" together.
- Connect the red connector to the Positive (+) terminal of the dead battery
- Connect the Negative (-) connector to an engine accessory bracket such as an alternator or air conditioner compressor mount **AWAY** from the engine serpentine belt system.

Jump Starting the Dead Battery

- Start the engine of the service vehicle and allow it to run for 5 - 10 minutes.
- Turn the ignition on the vehicle with the dead battery. Do not crank engine for longer than 10 seconds. If vehicle does not start by the third attempt there may be a mechanical issue.
- Once the engine starts, disconnect the black booster cable connector first, then the red. Be cautious of **MOVING** engine parts. Close vehicle hood.
- Remove the booster cable from the service vehicle by pulling the "quick connects" apart.
- Attach dust cover to service vehicle "quick connector".



WARRANTY

Buyers Products Co. warrants all truck/trailer hardware manufactured or distributed by it, to be free from defects in material and workmanship for a period of one year from date of shipment. Parts must be properly installed and used under normal conditions. Any product which has been altered, including modification, misuse, accident or lack of maintenance will not be considered under warranty. Normal wear is excluded. The sole responsibility of Buyers Products Co. under this warranty is limited to repairing or replacing any part or parts which are returned, prepaid, and are found to be defective by Buyers Products Co. Authorization from Buyers Products Co. must be obtained before returning any part. No charges for transportation or labor performed on Buyers' products will be allowed under this warranty.